



ONYARBI
industrias

www.onyarbi.com

CATÁLOGO GENERAL GENERAL CATALOGUE

Elementos y kits de reparación de Quinta Rueda - Pivotes
Spares and repair kits for the Fifth Wheels - Kingpin

Elementos y kits de reparación de Semi-remolque
Spares and repair kits for the Semi-trailer

Partes de Cabeza Tractora
Parts for the Truck



EAC



Los King Pins han sido homologados frente al reglamento 55:

Siendo la contraseña de Homologación: R55

| | |
|----------------|------------|
| E9*55R*01.6096 | (D=180 kN) |
| E9*55R*01.6095 | (D=180 kN) |
| E9*55R*01.6097 | (D=200 kN) |

We do not offer all fifth wheel spare parts and repair kits that require homologation in accordance with art. 22, paragraph 1, No. 4 of the German regulation StVZO for sale in the Federal Republic of Germany. This applies to spare parts and repair kits that are compatible with products of the following manufacturers: JGST, FRUEHAUF, +GF+, YORB-BIG D, SIMPLEX, FONTAINE, and HOLLAND. The information on our website and our product catalogue about these products is intended solely for inquiries from outside of the Federal Republic of Germany. We do not deliver and sell the products to customers within the Federal Republic of Germany. Thank you for your understanding.

INDUSTRIAS ONYARBI, siempre con su política de satisfacción a sus clientes, dentro de su amplia gama de productos para la automoción (Cabezas tractoras y semi-remolques) y con la visión de entender los tiempos que corren y previniendo el futuro, se ha marcado el objetivo de la edición de este nuevo catálogo específico y ampliamente dedicado a los elementos y Kits de reparación, siguiendo con su afán de superación en la calidad y competitividad de sus productos.

Saludos.








INDUSTRIAS ONYARBI, always with its policy for meeting the needs of its clients, with a wide range of products for the Heavy Duty Industry (Trucks and semi-trailers), keeping abreast of the times and thinking about the future, has the aim of publishing this new, specific and detailed catalogue, dedicated to the elements and repair kits, urging to improve the quality and the competitiveness of its products.

Greetings.

1 5.ª RUEDA FIFTH WHEELS

| Marca | Tipo / Type | Versión / Version | Pág. | |
|--|------------------------------------|-------------------|------------------|----|
| FRUEHAUF | Europ-65 | | 1 | |
| | JSK 36AV | | 3 | |
| | JSK 36D/DV | | 5 | |
| | JSK 37A/AZ | | 7 | |
| | JSK 37C/CZ | | 9 | |
| | JOST | JSK 37CW-37EW | | 11 |
| | | JSK 37E | | 13 |
| | | JSK 42 | | 14 |
| | | JSK 37H | (American Range) | 16 |
| | | JSK 38 / JSK-50 | | 18 |
| +GF+ GEORG FISCHER AUTOMOTIVE | SK-V36-14.5 | | 20 | |
| | SK-S36-22 | | 22 | |
| | SK-S36-20 W/VW | | 24 | |
| | SK-S36-20 PLUS W/VW | | 25 | |
| YORK | MK1-EURO D-S | | 27 | |
| SIMPLEX | Simplex II / Yard Tractor | | 30 | |
| FONTAINE (VBG) | SR/SL-TPL5092 - SR/SL-TPL6000/7000 | | 32 | |
| | R65SP-R65SPL/SPL2 | | 35 | |
| | 150SP - 150CI/3000E | | 36 | |
| SAB HOLLAND ORIGINAL PARTS | 3500-FW3500 | XA.3501 Series | 38 | |
| | 3500-FW35 | XA.351 Series | 41 | |

2 PIVOTES DE ENGANCHE KING PINS (2")-(3^{1/2}")

| Tipo / Type | Ref. Onyarbi | Ref. Original | Pág. |
|---|--------------|---------------|------|
| DE PLATO / PLATE (2") | | | |
| Agujero simple / Bolt in | (90.27.04) | KZ1012-01 | 46 |
| Agujero cónico / Bolt in conic | (90.27.05) | KZ0912-01 | 47 |
| Agujero cajera / Bolt in countersunk | (90.17.06) | KZ1907-01 | 48 |
| DE PLATO / PLATE (3 ^{1/2} ") | | | |
| Agujero simple / Bolt in | (90.37.10) | KZ1412-01 | 49 |
| CÓNICOS / CONICS (2") | | | |
|  | (90.17.03) | KZ1112-06 | 51 |
|  | (90.17.01) | 91620/01262 | 51 |
|  | (90.17.02) | RP0152 | 51 |
|  | (90.17.12) | 226115 | 51 |
|  | (90.17.13) | 310036 | 51 |
|  | (90.17.23) | | 52 |
|  | (90.17.22) | 99111206 | 53 |

3 ENGANCHE DE REMOLQUE TOWING HITCHES

| Tipo / Type | Ref. Onyarbi | Ref. Original | Pág. |
|------------------|--------------|---------------|------|
| ROCKINGER | 90.32.37 | ROE 71124 | 54 |
| | 90.32.38 | ROE 71125 | 55 |

4 SUSPENSIÓN / SUSPENSION

| Marca | Tipo | Type | Aplicación / Application | Pág. |
|---|-----------|------------|----------------------------|------|
|  | Mecánica | Mechanical | F2A | 58 |
| | Neumática | Pneumatic | TA | 59 |
|  | Neumática | Pneumatic | SA | 61 |
|  | Mecánica | Mechanical | VB, VB...C | 62 |
| | Neumática | Pneumatic | ECO • VH/VO | 63 |
|  | Mecánica | Mechanical | TANDEM | 65 |
| | Mecánica | Mechanical | TRIDEM | 66 |
| | Mecánica | Mechanical | Tube&Palier | 67 |
| | Neumática | Pneumatic | L200TEM • L200MD • L200LUN | 68 |
|  | Mecánica | Mechanical | M • M/SM • SM/SMT • SMT | 71 |
| | Neumática | Pneumatic | FL9000 • FL9000L | 72 |
| | Neumática | Pneumatic | FL11000 • FL11000L | 73 |
|  | Neumática | Pneumatic | Intra Disc Plus Tipo IO/IU | 75 |

5 COMPONENTES DEL EJE AXLE COMPONENTS

| Marca | Tipo | Type | Aplicación / Application | Pág. |
|---|-------------------------------|--|---|------|
|  | Freno/Tambor | Brake/Drum | P13 • P15 • P75 • PSL | 78 |
|  | Freno/Disco/Tambor | Brake/Disc/Drum | D1 • K1 • K5 | 80 |
| | Freno/Tambor | Brake/Drum | C1 • C2 • C3 • C5 | 81 |
| | Freno/Tambor | Brake/Drum | L1 • L2 | 82 |
|  | Freno/Tambor | Brake/Drum | ECO 6,5-9 Tm • ECO 10-12 Tm • ECO+ 10-12 Tm | 83 |
| | Freno/Tambor | Brake/Drum | ECO Freno>95 | 84 |
| | Freno/Tambor | Brake/Drum | H Freno<95 • K Freno<95 • N Freno<95 | 85 |
| | Freno/Tambor | Brake/Drum | H Leva | 86 |
| | Freno/Tambor | Brake/Drum | EH 10-12 Tm • EH 14 Tm • HR 6,5-9 Tm • HR 10 12 Tm | 87 |
| | Freno/Tambor | Brake/Drum | KR 6,5-9 Tm • KR 10-12 Tm • NR 6,5-9 Tm • NR 10-12 Tm | 88 |
| | Freno/Tambor | Brake/Drum | L200 • L200TEM • N400 • N400TEM | 92 |
| | Eje antiguo (hasta 6/87) | Old axle (before 6/87) | | |
| | Freno/Tambor | Brake/Drum | L200 • L200TEM • N400 • N400TEM | 93 |
|  | Eje nuevo (hasta 6/87) | New axle (after 6/87) | | |
| | Freno/Tambor | Brake/Drum | L200 • L200LUN • L200TEM • N400 • N400LUN • N400TEM | 94 |
| | Leva | Camshaft, slack adjuster | | |
| | Freno/Tambor - todos los ejes | Brake/Drum - All axles | H100 • L200 • L200TEM • N400 • N400TEM | 95 |
| | Freno/Tambor - Freno | Brake/Drum - Brake | L200 • L200LUN • L200TEM | 96 |
| Freno/Tambor - Freno | Brake/Drum - Brake | N400 • N400LUN • N400TEM | 97 | |
|  | Freno/Tambor | Brake/Drum | LM Eje | 99 |
| | Freno/Tambor | Brake/Drum | LM Freno | 100 |
| | Freno/Tambor | Brake/Drum | LM • LMC > abril 2001 | 101 |
| | Freno/Tambor | Brake/Drum | TE Eje | 102 |
| | Freno/Tambor | Brake/Drum | TE Freno-Leva | 103 |
| | Freno/Tambor | Brake/Drum | TM Eje | 104 |
| | Freno/Tambor | Brake/Drum | TM Freno | 105 |
| | Freno/Tambor | Brake/Drum | TM Leva | 106 |
| | Freno/Tambor | Brake/Drum | BMX Freno | 107 |
| | Freno/Tambor | Brake/Drum | RSM9042-9042/20>95 Eje-Leva | 110 |
| Freno/Tambor | Brake/Drum | RSM 9042>95 Freno • RSM 9042/20>95 Freno | 111 | |
| Freno/Tambor | Brake/Drum | RSM-RZM<95 Eje | 112 | |
|  | Freno/Tambor | Brake/Drum | RSM-RZM<95 Freno | 113 |
| | Freno/Tambor | Brake/Drum | RSM-RZM<95 Leva | 114 |
| | Freno/Tambor | Brake/Drum | SKRS9042 Leva | 115 |
| | Freno/Tambor | Brake/Drum | SKRZ9042/11242>98 Eje-Leva | 116 |
| | Freno/Disco | Brake/Disc | SKRB9019/9022 | 117 |
| | Freno/Disco | Brake/Disc | SKRB Integral | 118 |

BUJES HUBS 122

RODAMIENTOS BEARINGS 123

RETENES DE ACEITE OIL SEALS 125

| | | |
|----------|---|-----------|
| 6 | RÓTULAS DE DIRECCIÓN TIE RODS ENDS | Pags. 127 |
|----------|---|-----------|

| | | |
|----------|---|-----------------|
| 7 | PALANCAS AUTOMÁTICAS AUTOMATIC SLACK ADJUSTERS | Pags. 141 a 151 |
|----------|---|-----------------|

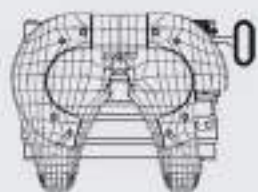
| | | |
|----------|--|-----------------|
| 8 | CALIPERS CALIPERS | |
| | Calipers racionalizados / <i>Rationalised Calipers</i> | Pag. 152 |
| | Kit Reparación de Calipers / <i>Calipers Repair Kits</i> | Pags. 153 a 159 |

| | | |
|----------|---|----------|
| 9 | VARIOS MISCELLANEOUS | Pag. 160 |
|----------|---|----------|

| | | |
|-----------|--|----------|
| 10 | VÁLVULAS VALVES | Pag. 161 |
|-----------|--|----------|

| | | |
|-----------|--|----------|
| 11 | CÁMARAS DE AIRE BRAKE CHAMBER | Pag. 162 |
|-----------|--|----------|

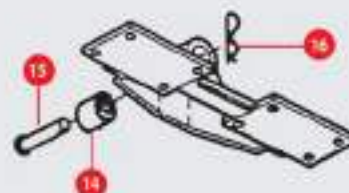
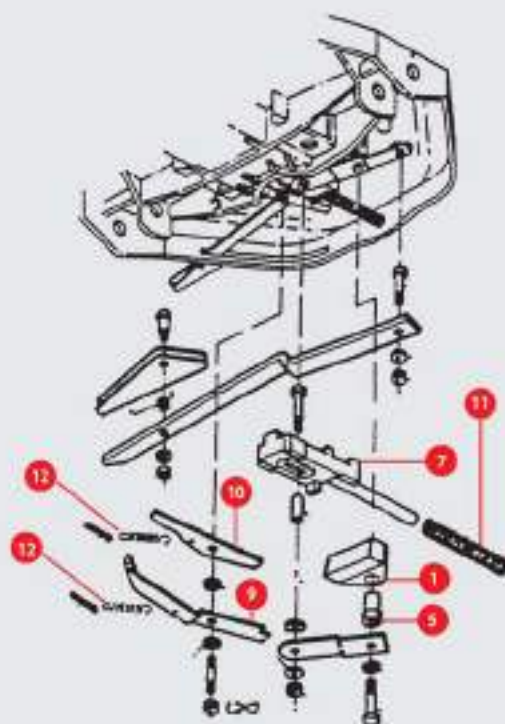
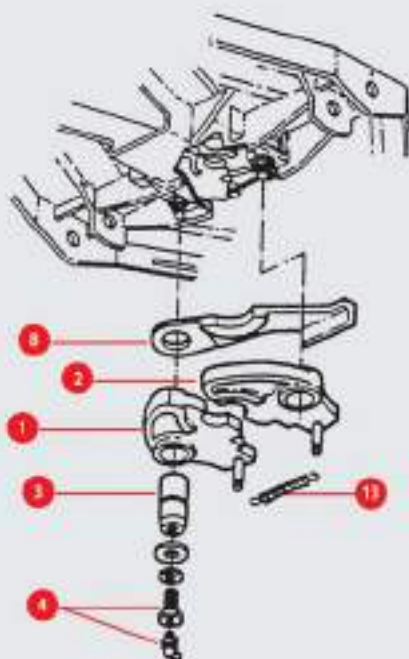
| | | |
|-----------|--|----------|
| 12 | SECADORES AIR DRYER | Pag. 163 |
|-----------|--|----------|



Elementos y kits de reparación de Quinta Rueda - Pivotes

Spares and repair kits for the Fifth Wheels - Kingpin





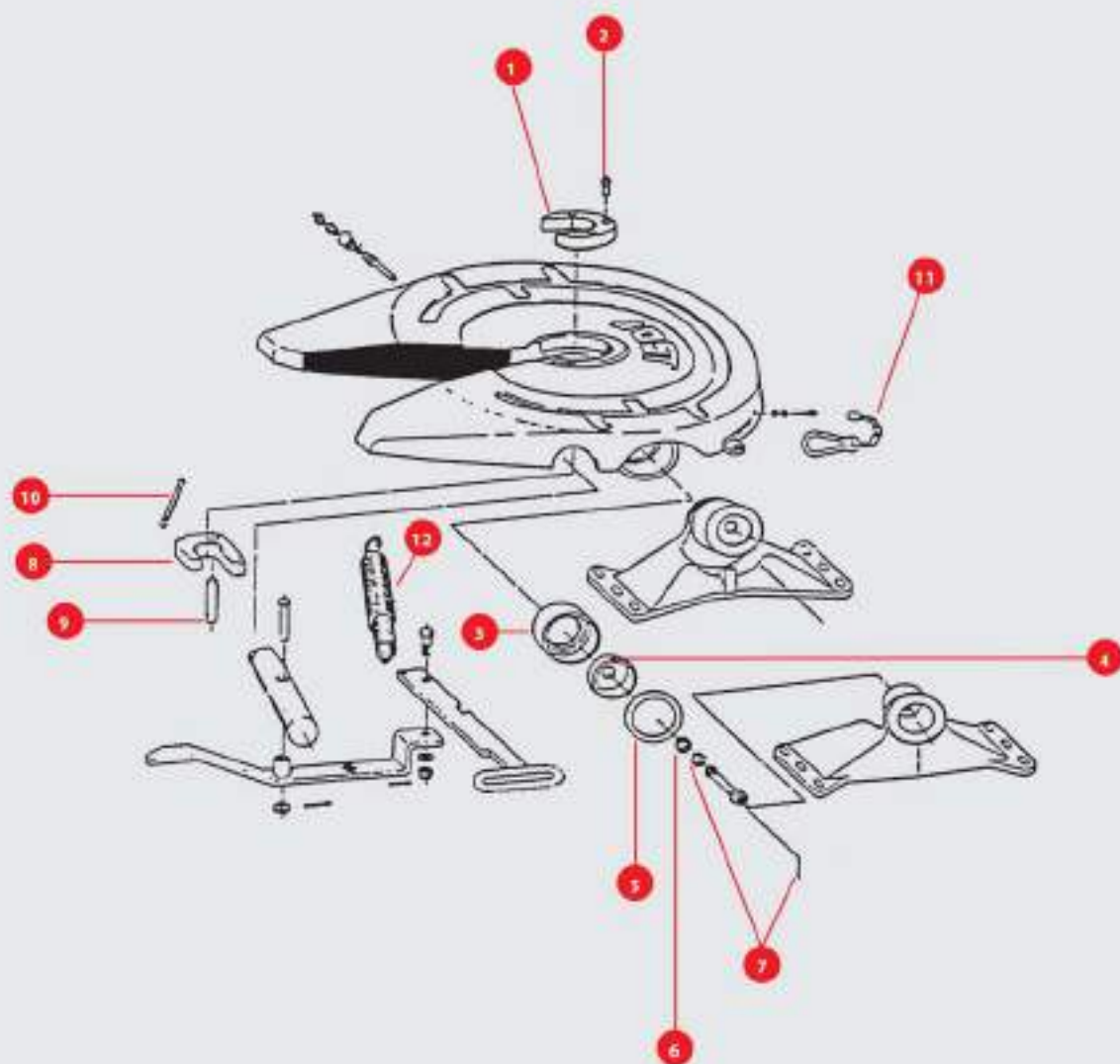
| N.º | Designación / Designation | Ref. Ornyarbi | Ref. Original |
|-----|---|---------------|---------------|
| 1 | Conjunto Mordaza Izda. / Lock Jaw. L. | 10.03.10 | 92.002 |
| 2 | Conjunto Mordaza Dcha. / Lock Jaw. R. | 10.03.11 | 92.003 |
| 3 | Eje de Mordaza / Lock Pin | 10.03.12 | 92.007 |
| 4 | Tornillo de Bloqueo / Block Pin | 10.03.13 | 92.009 |
| 5 | Excéntrica Bloque Amort. / Block Amort. Pin | 10.03.14 | 92.022 |
| 6 | Bloque Amort. / Amort. Block | 10.03.15 | 92.020 |
| 7 | Cerrojo / Plunger | 10.03.16 | 92.006 |
| 8 | Brazo de Presión / Compression Arm | 10.03.17 | 92.019 |
| 9 | Palanca de Bloqueo / Plunger Lock Latch | 10.03.18 | 92.015 |
| 10 | Palanca / Plunger Lock Latch | 10.03.19 | 92.018 |
| 11 | Muelle del Cerrojo / Plunger Spring | 80.03.12 | 92.031 |
| 12 | Muelle de Palanca / Plunger Lock Latch Spring | 80.03.13 | 92.029 |
| 13 | Muelle de Mordaza / Lock Jaw Spring | 80.03.14 | 92.030 |
| 14 | Casquillo del Soporte / Mounting Bracket Pin Bush | 10.03.23 | 92.040 |
| 15 | Eje del Soporte / Mounting Bracket Pin | 10.03.24 | 92.038 |
| 16 | Pasador de Seguridad / Hairpin Lock | 80.04.02 | |



| Ref. Original | Ref. Onyarbi | Designación / Designation |
|---------------|--------------|---|
| 89.731 | 10.04.25 | KIT REPARACION SILLETA / COMPLETE REBUILD KIT |
| 92.002 | 10.03.10 | Conjunto Mordaza Izda. / Lock .Jaw . L (1) |
| 92.003 | 10.03.11 | Conjunto Mordaza Dcha. / Lock .Jaw . R (1) |
| 92.007 | 10.03.12 | Eje de Mordaza / Lock Pin (2) |
| 92.009 | 10.03.13 | Tornillo de Bloqueo / Block Pin (2) |
| 92.022 | 10.03.14 | Excentrica Bloque Amort. / Block Amort. Pin (1) |
| 92.020 | 10.03.15 | Bloque Amortiguador / Amort. Block (1) |
| 92.006 | 10.03.16 | Cerrojo / Plunger (1) |
| 92.019 | 10.03.17 | Brazo de Prestón / Compression Arm (1) |
| 92.015 | 10.03.18 | Palanca de Bloqueo / Plunger Lock Latch (1) |
| 92.018 | 10.03.19 | Palanca / Plunger Lock Latch (1) |
| 92.031 | 80.03.12 | Muelle del Cerrojo / Plunger Spring (1) |
| 92.029 | 80.03.13 | Muelle de Palanca / Plunger Lock Latch Spring (2) |
| 92.030 | 80.03.14 | Muelle de Mordaza / Lock Jaw Spring (1) |



| Ref. Original | Ref. Onyarbi | Designación / Designation |
|---------------|--------------|---|
| CR26722.01 | 10.04.26 | KIT REPARACION DE PALIER / MOUNTING BRACKET KIT |
| 92.040 | 10.03.23 | Casquillo del Soporte / Mounting Bracket Pin Bush (2) |
| 92.038 | 10.03.24 | Eje del Soporte / Mounting Bracket Pin (2) |
| | 80.04.02 | Pasador de Seguridad / Hairpin Lock (2) |



| N.º | Designación / Designation | Ref. Oryarbi | Ref. Original |
|-----|--|-------------------|---------------|
| 1 | Anillo de Desgaste / Wearing Ring | 90.12.04 | SK2105-19 |
| 2 | Tornillo Allen / Socket Head Bolt | 70.01.17 | SK2121-07 |
| 3 | Casquillo Exterior / Outer Ring | 90.12.10 | SK803-2 |
| 4 | Casquillo Esférico / Inner Ring | 90.12.11 | SK803-1 |
| 5 | Junta de Estanqueidad / Sealing Ring | 90.12.12 | SK809-1 |
| 6 | Arandela / Washer | 80.02.17 | SK1115-1 |
| 7 | Tornillo Completo / Screw and Nut | 70.01.15/80.01.14 | SK870-1 |
| 8 | Gancho de Cierre / Lock Jaw | 90.12.01 | SK2105-15 |
| 9 | Tornillo / Pivot for Lock Jaw | 90.12.03 | SK2121-13 |
| 10 | Muelle del Gancho / Lock Jaw Spring | 80.03.15 | SK847 |
| 11 | Mosquetón / Spring Safety Hook | 90.12.52 | SK1438 |
| 12 | Muelle Doble / Double Tension Spring | 90.12.22 | SK2105-11 |
| 13 | Tornillo Hexagonal Completo / Hexagonal Screw Complete | 90.13.38 | SK1513 |



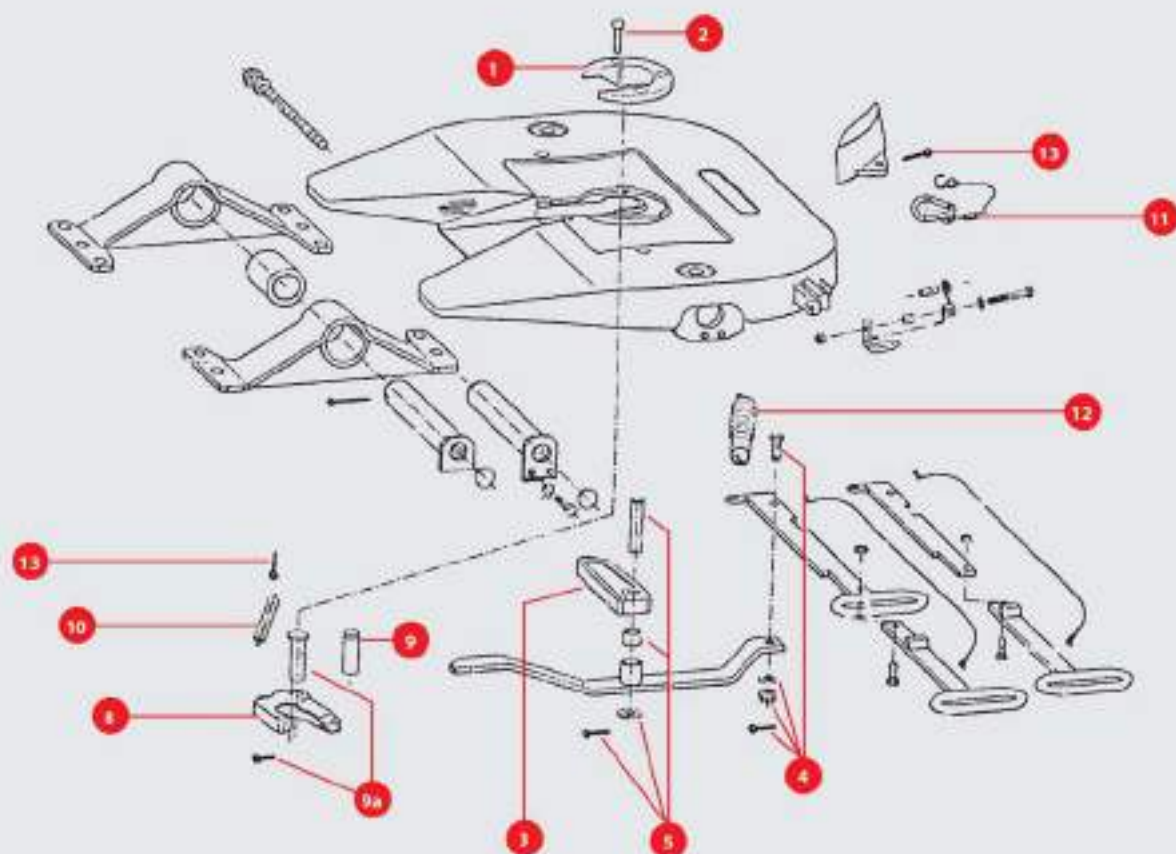
| Ref. Original | Ref. Onyarbi | Designación / Designation |
|---------------|--------------|--|
| SK2121-51 | 90.12.07 | KIT REP. ANILLO DESGASTE / REP. KIT WEARING RING |
| SK2105-19 | 90.12.04 | Anillo de Desgaste / Wearing Ring (1) |
| SK2121-07 | 70.01.17 | Tornillo Allen / Socket Head Bolt (3) |



| Ref. Original | Ref. Onyarbi | Designación / Designation |
|---------------|-------------------|---|
| SK2121-53 | 90.12.09 | KIT REP. ARTICULACION / REP. KIT ARTICULATION |
| SK803-2 | 90.12.10 | Casquillo Exterior / Exterior Cap (2) |
| SK803-1 | 90.12.11 | Casquillo Esférico / Spherical Cap (2) |
| SK809-1 | 90.12.12 | Junta de Estanqueidad / Gasket (2) |
| SK1115-1 | 80.02.17 | Arandela / Washer (8) |
| SK870-1 | 70.01.15/80.01.14 | Tornillo Completo / Screw and Nut (2) |



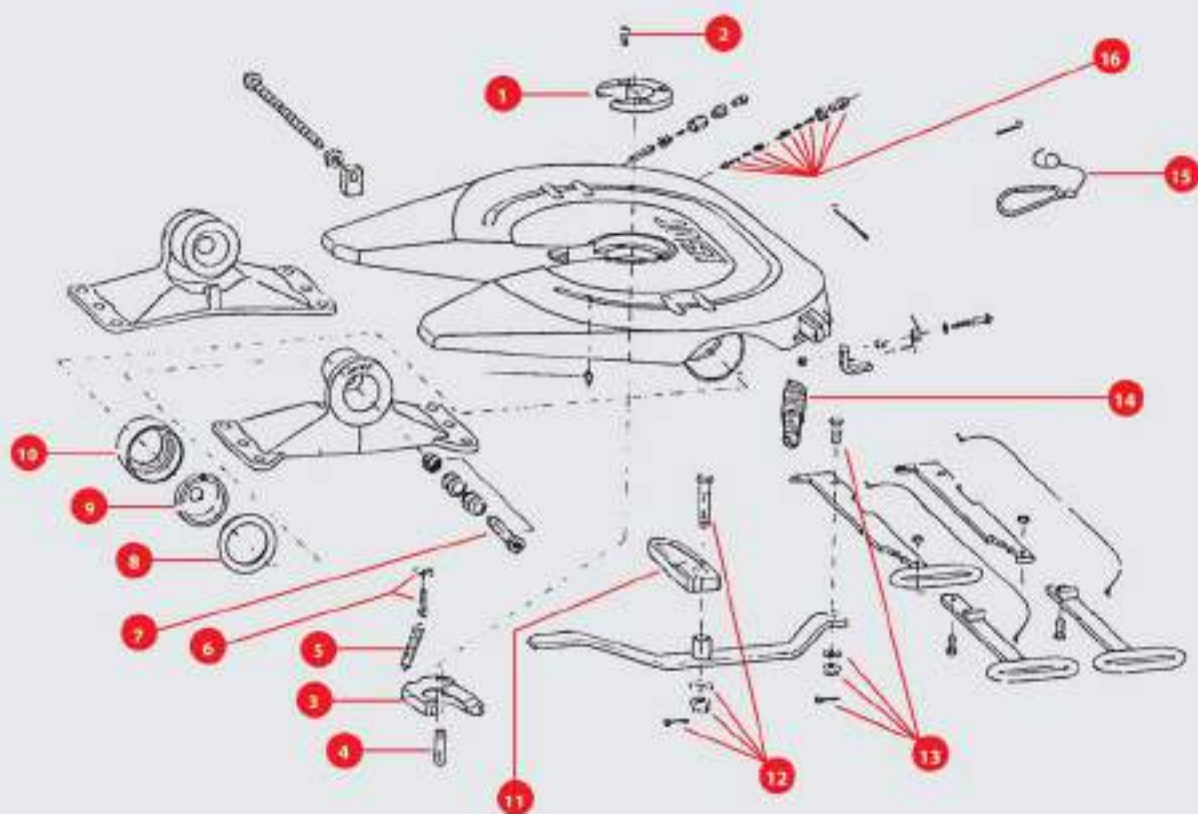
| Ref. Original | Ref. Onyarbi | Designación / Designation |
|---------------|--------------|---|
| SK2121-52 | 90.12.08 | KIT REP. GANCHO DE CIERRE / REP. KIT LOCK JAW |
| SK2105-15 | 90.12.01 | Gancho de Cierre / Lock Jaw (1) |
| SK2121-13 | 90.12.03 | Tornillo / Pivot for Lock Jaw (1) |
| SK847 | 80.03.15 | Muelle del Gancho / Lock Jaw Spring (1) |



| N.º | Designación / Designation | Ref. Ornyarbi | Ref. Original |
|-----|--|---------------|---------------|
| 1 | Anillo de Desgaste / Wearing Ring | 90.12.04 | SK2105-19(DV) |
| 2 | Tornillo Allen / Socket Head Bolt | 70.01.17 | SK2121-07(DV) |
| 3 | Cerrojo / Locking Bar | 90.12.21(2) | SK2905-06 |
| 4 | Tornillo Hexagonal Completo / Hexagonal Screw Complete | 90.13.38 | SK1513 |
| 5 | Bulon del Cerrojo Completo / Locking Bar Bolt Complete | 90.13.39 | SK2921-02 |
| 8 | Gancho de Cierre / Lock Jaw | 90.12.16(1) | SK1489Z |
| 9 | Eje de Gancho / Pivot for Lock Jaw | 90.12.18 | SK2106-07(DV) |
| 9a | Bulon del Gancho / Pivot for Lock Jaw | 90.13.40 | SK2921-01(D) |
| 10 | Muelle de Tracción / Spring | 80.03.15 | SK847 |
| 11 | Mosquetón / Spring Safety Hook | 90.12.52 | SK1436 |
| 12 | Doble Muelle / Double Tension Spring | 90.12.22 | SK3105-20 |
| 13 | Pasador Aleta / Split Pin | 80.04.15 | SK1790 |



| Ref. Original | Ref. Omyarbi | Designación / Designation |
|---------------|--------------|--|
| SK1300-89 | 90.12.53 | KIT REP. CIERRE COMPLETO / R. KIT FOR LOCKING DEVICE |
| SK1436 | 90.12.52 | Mosquetón / Spring Safety Hook (1) |
| SK847 | 80.03.15 | Muelle del Gancho / Lock Jaw Spring (1) |
| SK1790 | 80.04.15 | Pasador Aleta / Split Pin (1) |
| | 80.04.14 | Pasador Aleta / Split Pin (3) |
| | 80.02.15 | Arandela / Washer (3) |
| | 80.01.36 | Tuerca Almenada / Nut (1) |
| | 70.01.79 | Tornillo / Screw (1) |
| SK1489Z | 90.12.16.1 | Gancho de Cierre / Lock Jaw (1) |
| SK2106-67 | 90.12.18 | Eje de Gancho / Pivot for Lock Jaw (1) |
| | 90.12.50 | Bulón del Cerrojo / Locking Bar Bolt (1) |
| SK3105-20 | 90.12.22 | Doble Muelle / Double Tension Spring (1) |
| SK2905-06 | 90.12.21.2 | Cerrojo / Locking Bar (1) |
| | 90.12.51 | Casquillo / Bushing (2) |



| N.º | Designación / Designation | Ref. Onyarbi | Ref. Original |
|-----|--|-------------------|---------------|
| 1 | Anillo de Desgaste / Wearing Ring | 90.12.04 | SK2105-19 |
| 2 | Tornillo Allen / Socket Head Bolt | 70.01.17 | SK2121-07 |
| 3 | Gancho de Cierre / Lock Jaw | 90.12.16(1) | SK1489Z |
| 4 | Eje de Gancho / Pivot for Lock Jaw | 90.12.18 | SK2106-67 |
| 5 | Muelle del Gancho / Lock Jaw Spring | 80.03.15 | SK847 |
| 6 | Pasador con Ojo Completo / Eye Bolt Complete | 90.13.31 | SK2122-04 |
| 7 | Tornillo Completo / Screw Complete | 70.01.15/80.01.14 | SK870-1 |
| 8 | Junta de Estanqueidad / Jealing Ring | 90.12.12 | SK809-1 |
| 9 | Casquillo Interior / Inner Ring | 90.12.11 | SK803-1 |
| 10 | Casquillo Exterior / Outer Ring | 90.12.10 | SK803-2 |
| 11 | Cercojo / Locking Bar | 90.12.21 | SK3205-06 |
| 12 | Bulon de Cercojo Completo / Locking Bar Bolt Complete | 90.13.24 | SK3221-01 |
| 13 | Tornillo Hexagonal Completo / Hexagonal Screw Complete | 90.13.38 | SK1513 |
| 14 | Doble Muelle / Double Tension Spring | 90.12.22 | SK3105-20 |
| 15 | Mosquetón / Spring Safety Hook | 90.12.52 | SK1436 |
| 16 | Kit Engasador / Lubricating Tube | 90.12.23 | SK3108-02 |



| Ref. Original | Ref. Onyarbi | Designación / Designation |
|---------------|--------------|--|
| SK2121-51 | 90.12.07 | KIT REP. ANILLO DESGASTE / REP. KIT WEARING RING |
| SK2105-19 | 90.12.04 | Anillo de Desgaste / Wearing Ring (1) |
| SK2121-07 | 70.01.17 | Tornillo Allen / Socket Head Bolt (3) |



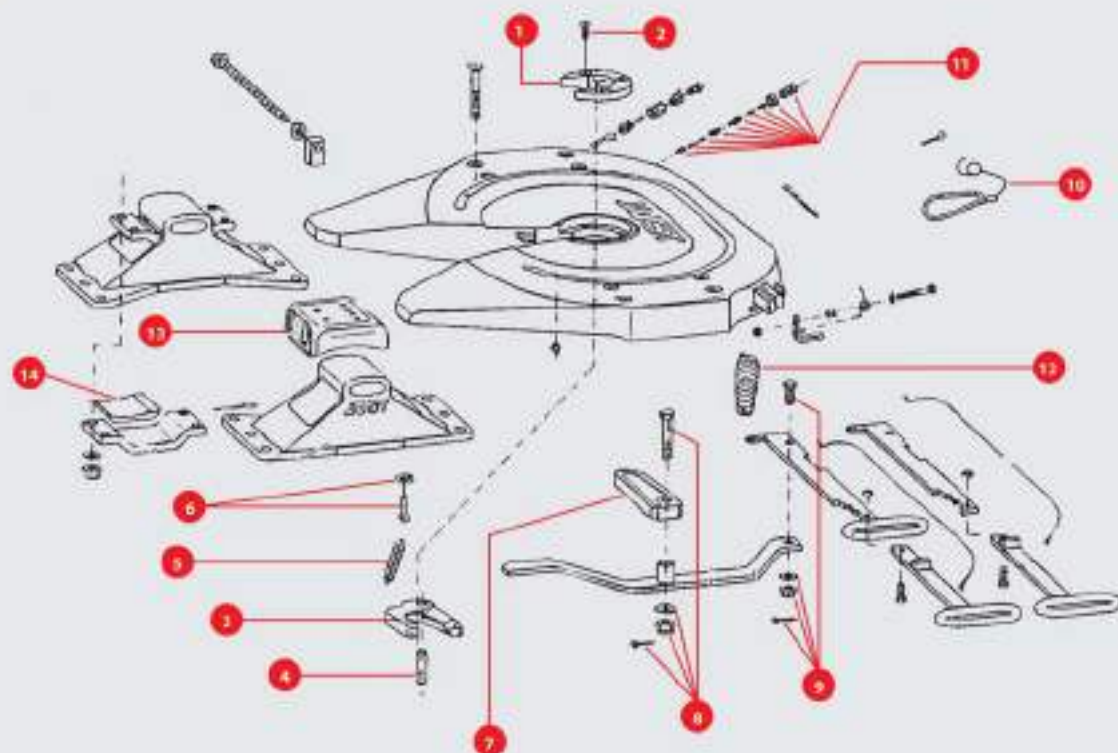
| Ref. Original | Ref. Onyarbi | Designación / Designation |
|---------------|--------------|---|
| SK3221-52 | 90.12.19 | KIT REP. GANCHO DE CIERRE / REP. KIT LOCK JAW |
| SK1489 | 90.12.16 | Gancho de Cierre / Lock Jaw (1) |
| SK2106-67 | 90.12.18 | Eje de gancho / Pivot for Lock Jaw (1) |
| SK847 | 80.03.15 | Muelle del Gancho / Lock Jaw Spring (1) |



| Ref. Original | Ref. Onyarbi | Designación / Designation |
|---------------|--------------|--|
| SK3221-50 | 90.12.20 | KIT REP. ANILLO + GANCHO / REP. KIT LOCKING DEVICE |
| SK2105-19 | 90.12.04 | Anillo de Desgaste / Wearing Ring (1) |
| SK2121-07 | 70.01.17 | Tornillo Allen / Socket Head Bolt (3) |
| SK1489 | 90.12.16 | Gancho de Cierre / Lock Jaw (1) |
| SK2106-67 | 90.12.18 | Eje de Gancho / Pivot for Lock Jaw (1) |
| SK847 | 80.03.15 | Muelle del Gancho / Lock Jaw Spring (1) |



| Ref. Original | Ref. Onyarbi | Designación / Designation |
|---------------|--------------|--|
| SK3221-50Z | 90.13.27 | KIT REP. ANILLO + GANCHO / REP. KIT LOCKING DEVICE |
| SK2105-19 | 90.12.04 | Anillo de Desgaste / Wearing Ring (1) |
| SK2121-07 | 70.01.17 | Tornillo Allen / Socket Head Bolt (3) |
| SK1489Z | 90.12.16.1 | Gancho de Cierre / Lock Jaw (1) |
| SK2106-67 | 90.12.18 | Eje de Gancho / Pivot for Lock Jaw (1) |
| SK847 | 80.03.15 | Muelle del Gancho / Lock Jaw Spring (1) |
| SK3108-02 | 90.12.23 | Kit Engrasador / Lubrication Tubing |



| N.º | Designación / Designation | Ref. Onyarbi | Ref. Original |
|-----|--|--------------|---------------|
| 1 | Anillo de Desgaste / Wearing Ring | 90.12.04 | SK2105-19 |
| 2 | Tomillo Allen / Socket Head Bolt | 70.01.17 | SK2121-07 |
| 3 | Gancho de Cierre / Lock Jaw | 90.12.16(1) | SK1489Z |
| 4 | Eje de Gancho / Pivot for Lock Jaw | 90.12.18 | SK2106-67 |
| 5 | Muelle del Gancho / Lock Jaw Spring | 80.03.15 | SK847 |
| 6 | Pasador con Ojo Completo / Eye Bolt Complete | 90.13.31 | SK2122-04 |
| 7 | Cerrojo / Locking Bar | 90.12.21 | SK3205-06 |
| 8 | Bulon del Cerrojo Completo / Locking Bar Bolt Complete | 90.13.24 | SK3221-01 |
| 9 | Tomillo Hexagonal Completo / Hexagonal Screw Complete | 90.13.38 | SK1513 |
| 10 | Mosquetón / Spring Safety Hook | 90.12.52 | SK1436 |
| 11 | Bit Engrasador / Lubricating Tube | 90.12.23 | SK3108-02 |
| 12 | Doble Muelle / Double Tension Spring | 90.12.22 | SK3105-20 |
| 13 | Almohadilla Superior / Rubber Cushion Top | 90.13.32 | SK1259 |
| 14 | Almohadilla Inferior / Rubber Bottom | 90.13.33 | SK2105-25 |

| | Ref. Original | Ref. Onyarbi | Designación / Designation |
|--|---------------|--------------|---|
| | SK2121-69 | 90.32.30 | KIT REP. ARTICULACIÓN / RUBBER BEARING MODEL "C" |
| | SK1259 | 90.13.32 | Almohadilla Superior / Rubber Cushion Top |
| | SK2105-25 | 90.13.33 | Almohadilla Inferior / Rubber Cushion Bottom |
| | SK2121-15 | 90.13.44 | Conjunto Tomillo Amarre / Countersunk Bolt Complete |
| | | | |



| Ref. Original | Ref. Onyarbi | Designación / Designation |
|---------------|--------------|---|
| SK3121-50 | 90.13.25 | KIT REP. ANILLO + GANCHO / REP. KIT LOCKING DEVICE |
| SK2105-19 | 90.12.04 | Anillo de Desgaste / Wearing Ring (1) |
| SK2121-07 | 70.01.17 | Tornillo Allen / Socket Head Bolt (3) |
| SK1489Z | 90.12.16.1 | Gancho de Cierre / Lock Jaw (1) |
| SK2106-67 | 90.12.18 | Eje de Gancho / Pivot for Lock Jaw (1) |
| SK847 | 80.03.15 | Muelle del Gancho / Lock Jaw Spring (1) |
| SK1513 | 90.13.38 | Tornillo Hexagonal Completo / Hex. Screw Complete (1) |
| SK1436 | 90.12.52 | Mosquetón / Spring Safety Hook |



| Ref. Original | Ref. Onyarbi | Designación / Designation |
|---------------|--------------|---|
| SK3121-56 | 90.13.26 | KIT REP. CIERRE / REP. KIT LOCKING DEVICE |
| SK1489Z | 90.12.16.1 | Gancho de Cierre / Lock Jaw (1) |
| SK2106-67 | 90.12.18 | Eje de Gancho / Pivot for Lock Jaw (1) |
| SK847 | 80.03.15 | Muelle del Gancho / Lock Jaw Spring (1) |
| SK1513 | 90.13.38 | Tornillo Hexagonal Completo / Hex. Screw Complete (1) |
| SK2105-19 | 90.12.04 | Anillo de Desgaste / Wearing Ring (1) |
| SK2121-07 | 70.01.17 | Tornillo Allen / Socket Head Bolt (3) |



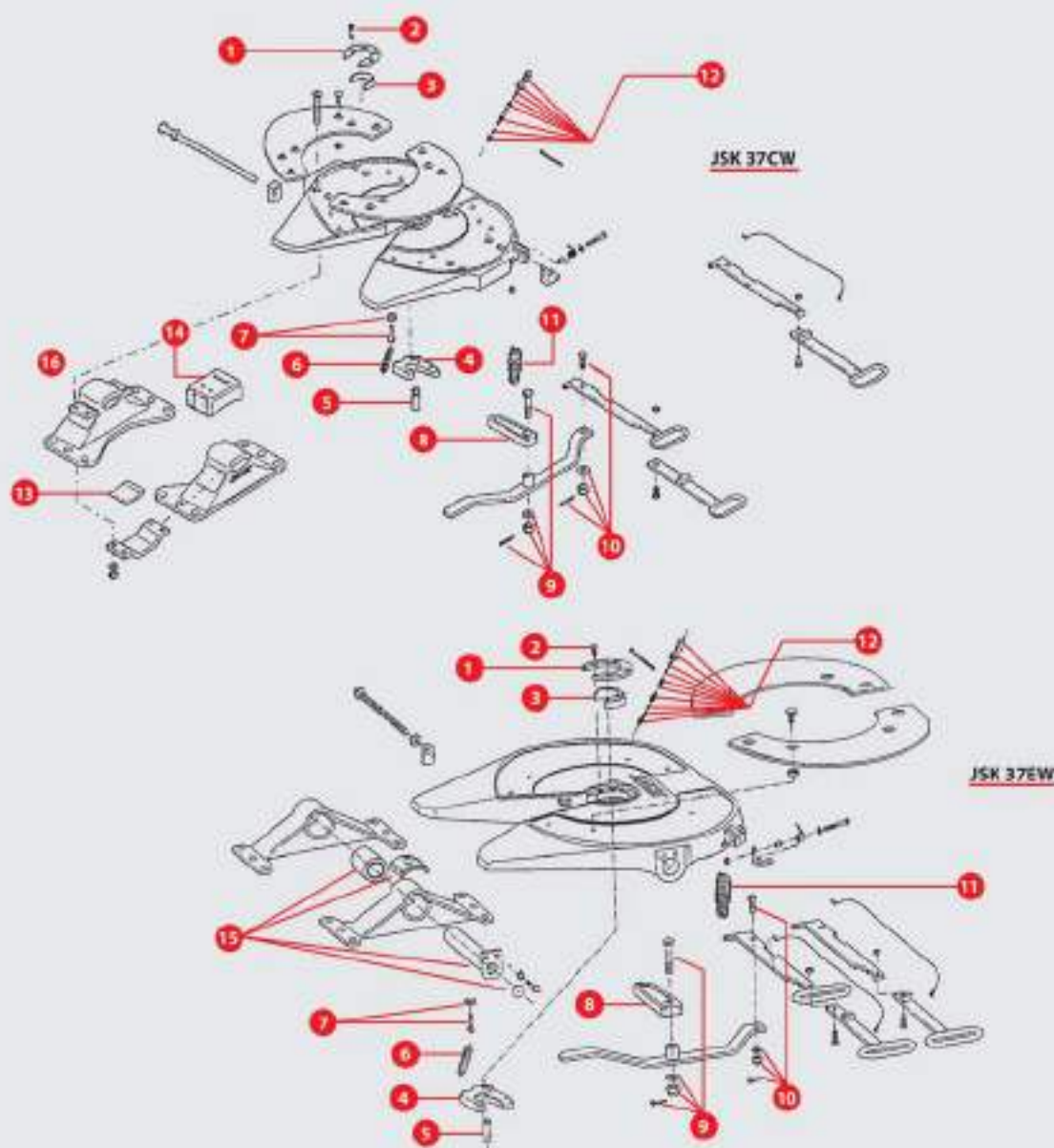
| Ref. Original | Ref. Onyarbi | Designación / Designation |
|---------------|--------------|---|
| SK3121-50Z | 90.13.29 | KIT REP. CIERRE / REP. KIT LOCKING DEVICE |
| SK1489Z | 90.12.16.1 | Gancho de Cierre / Lock Jaw (1) |
| SK2106-67 | 90.12.18 | Eje de Gancho / Pivot for Lock Jaw (1) |
| SK847 | 80.03.15 | Muelle del Gancho / Lock Jaw Spring (1) |
| SK2105-19 | 90.12.04 | Anillo de Desgaste / Wearing Ring (1) |
| SK2121-07 | 70.01.17 | Tornillo Allen / Socket Head Bolt (3) |
| SK1513 | 90.13.38 | Tornillo Hexagonal Completo / Hex. Screw Complete (1) |
| SK1436 | 90.12.52 | Mosquetón / Spring Safety Hook |
| SK3108-02 | 90.12.23 | Kit Engrasador / Lubrication Tubing |



| Ref. Original | Ref. Onyarbi | Designación / Designation |
|---------------|--------------|---|
| SK3121-56Z | 90.13.30 | KIT REP. CIERRE / REP. KIT LOCKING DEVICE |
| SK1489Z | 90.12.16.1 | Gancho de Cierre / Lock Jaw (1) |
| SK2106-67 | 90.12.18 | Eje de Gancho / Pivot for Lock Jaw (1) |
| SK847 | 80.03.15 | Muelle del Gancho / Lock Jaw Spring (1) |
| SK1513 | 90.13.38 | Tornillo Hexagonal Completo / Hex. Screw Complete (1) |
| SK2105-19 | 90.12.04 | Anillo de Desgaste / Wearing Ring (1) |
| SK2121-07 | 70.01.17 | Tornillo Allen / Socket Head Bolt (3) |
| SK3108-02 | 90.12.23 | Kit Engrasador / Lubrication Tubing |



| Ref. Original | Ref. Onyarbi | Designación / Designation |
|---------------|--------------|--|
| SK3121-072Z | 90.13.93 | KIT REPARACIÓN CIERRE / REPAIR KIT FOR LOCK |
| SK3205-06 | 90.12.21 | Cerrojo / Locking Bar |
| SK1513 | 90.13.38 | Tornillo Hexagonal Completo / Hex. Screw Complete |
| SK3221-05 | 90.13.24 | Bulón del Cerrojo Completo / Locking Bar Bolt Complete |
| SK2121-07 | 70.01.17 | Tornillo Allen / Socket Head Bolt |
| SK847 | 80.03.15 | Muelle del Gancho / Lock Jaw Spring |
| SK2105-19 | 90.12.04 | Anillo de Desgaste / Wearing Ring |
| SK1489Z | 90.12.16.1 | Gancho de Cierre / Lock Jaw |
| SK2106-67 | 90.12.18 | Eje de Gancho / Pivot for Lock Jaw |
| SK3108-02 | 90.12.23 | Kit Engrasador / Lubrication Tubing |
| SK3121-072Z | 90.13.93 | KIT REPARACIÓN CIERRE / REPAIR KIT FOR LOCK |



| N.º | Designación / Designation | Ref. Onyarbi | Ref. Original |
|-----|--|--------------|---------------|
| 1 | Anillo Desgaste Posicionador / Wearing Ring Fixture | 90.12.24 | SK3105-93 |
| 2 | Tornillo Allen / Socket Head Bolt | 70.01.71 | SK3121-55 |
| 3 | Anillo Desgaste de Asiento / Wearing Ring Insert | 90.12.25 | SK3105-92 |
| 4 | Gancho de Cierre / Lock Jaw | 90.12.16(1) | SK1489Z |
| 5 | Eje de Gancho / Pivot for Lock Jaw | 90.12.18 | SK2106-67 |
| 6 | Muelle del Gancho / Lock Jaw Spring | 80.03.15 | SK847 |
| 7 | Pasador con Ojo Completo / Eye Bolt Complete | 90.13.31 | SK2122-04 |
| 8 | Cerrojo / Locking Bar | 90.12.21 | SK3205-06 |
| 9 | Bulón del Cerrojo Completo / Locking Bar Bolt Complete | 90.13.24 | SK3221-01 |
| 10 | Tornillo Hexagonal Completo / Hexagonal Screw Complete | 90.13.38 | SK1513 |
| 11 | Doble Muelle / Double Tension Spring | 90.12.22 | SK3105-20 |
| 12 | Kit Engrasador / Lubricating Tube | 90.12.23 | SK3108-02 |
| 13 | Almohadilla Inferior / Rubber Bottom | 90.13.33 | SK2105-25 |
| 14 | Almohadilla Superior / Rubber Cushion Top | 90.13.32 | SK1259 |
| 15 | Kit Reparación Articulación / Pivot bearing Model "E" | 90.32.31 | SK3121-61 |
| 16 | Kit Reparación Articulación / Rubber bearing Model "C" | 90.32.30 | SK2121-69 |



| Ref. Original | Ref. Onyarbi | Designación / Designation |
|---------------|--------------|---|
| SK3105-94 | 90.12.26 | KIT REP. ANILLO DESGASTE / REP. KIT WEARING RING |
| SK3105-93 | 90.12.24 | Anillo Desgaste Posicionador / Wearing Ring Fixture (1) |
| SK3105-92 | 90.12.25 | Anillo Desgaste de Asiento / Wearing Ring Insert (1) |
| SK3121-55 | 70.01.71 | Tornillo Allen / Socket Head Bolt (4) |



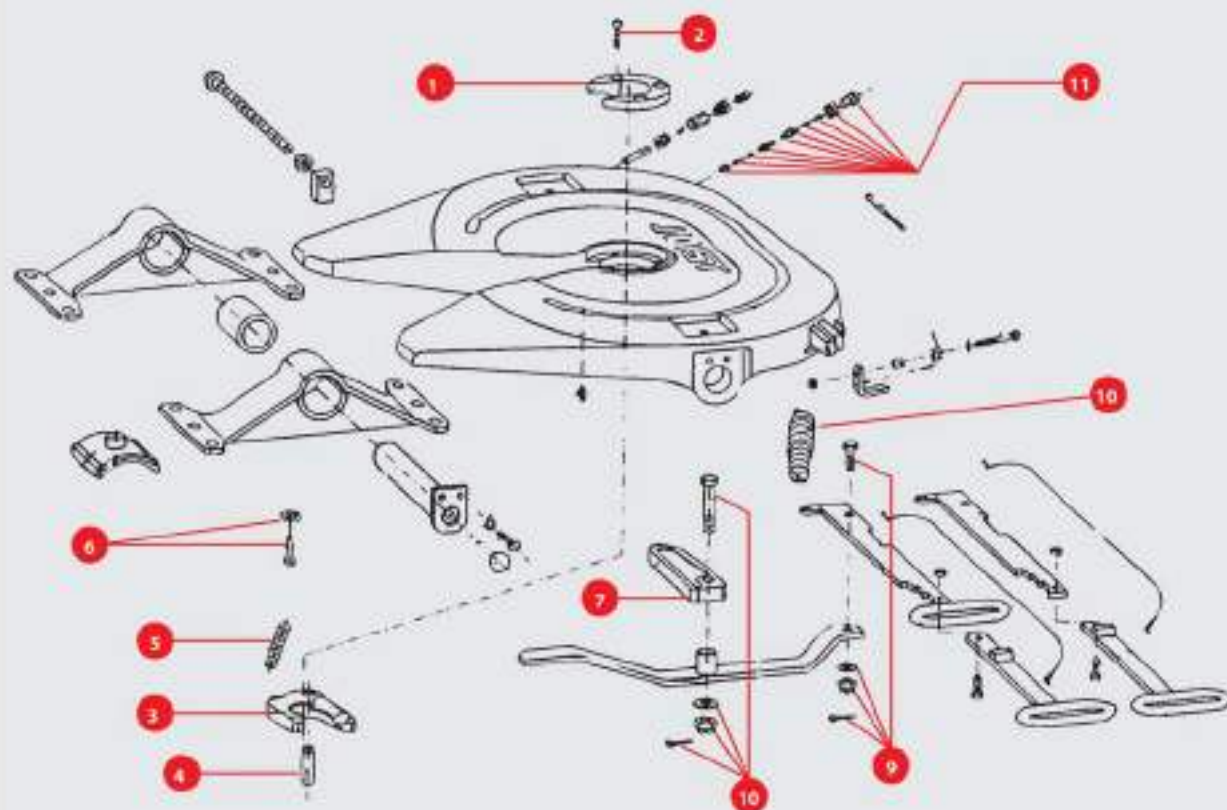
| Ref. Original | Ref. Onyarbi | Designación / Designation |
|---------------|--------------|---|
| SK3221-52Z | 90.12.27 | KIT REP. GANCHO DE CIERRE / REP. KIT LOCK JAW |
| SK1489Z | 90.12.16.1 | Gancho de Cierre / Lock Jaw (1) |
| SK2106-67 | 90.12.18 | Eje de Gancho / Pivot for Lock Jaw (1) |
| SK847 | 80.03.15 | Muelle del Gancho / Lock Jaw Spring (1) |
| SK3108-02 | 90.12.23 | Kit Engrasador / Lubrication Tubing |



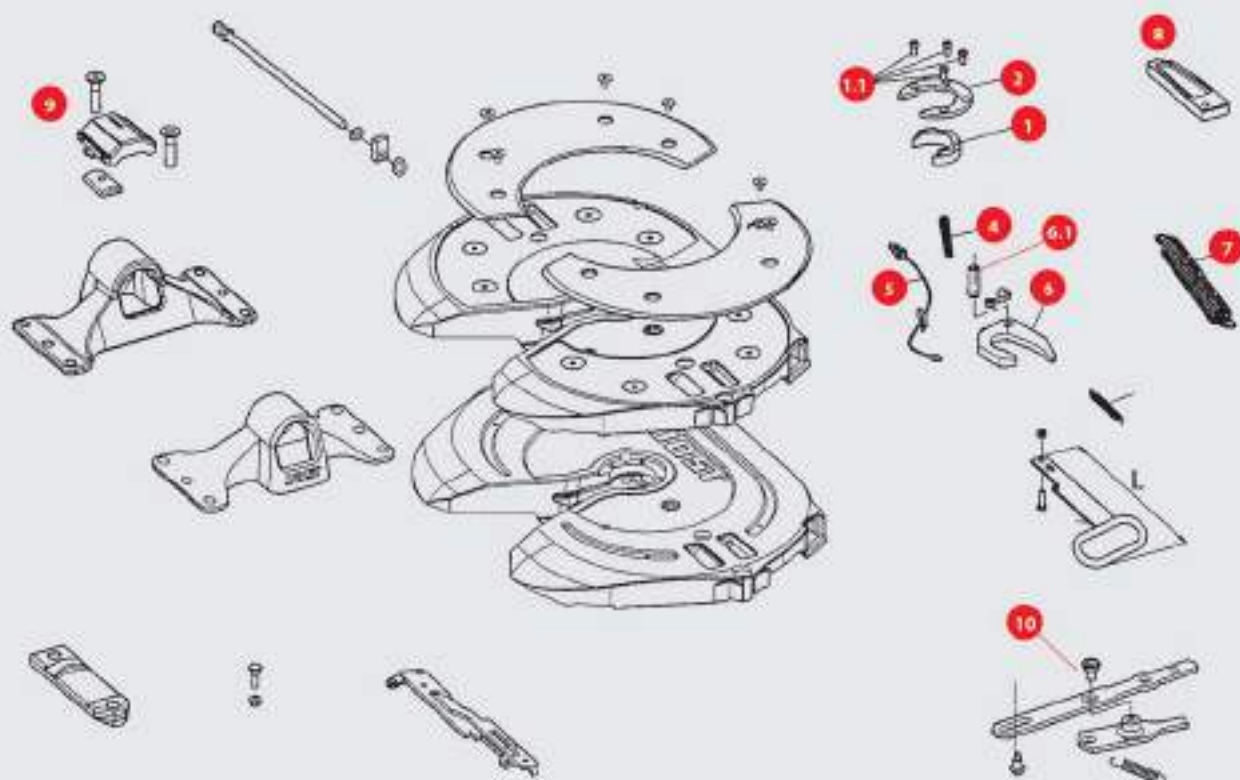
| Ref. Original | Ref. Onyarbi | Designación / Designation |
|---------------|--------------|--|
| SK3121-81 | 90.32.31 | KIT REP. ARTICULACIÓN / PIVOT BEARING MODEL "E" |
| SK2905-94 | 90.13.46 | Manguito de Goma Comp. / Rubber Bushing Comp. |
| SK3104-05 | 90.32.32 | Eje Soporte con Tapón / Pivot Pin with Plug |
| SK3105-95 | 90.32.33 | Collarín / Collar |
| SK3121-071 | 90.13.45 | Conjunto Tornillo Hexagonal Completo / Hexagon Bolt Complete |



| Ref. Original | Ref. Onyarbi | Designación / Designation |
|---------------|--------------|---|
| SK3121-60Z | 90.12.28 | KIT REP. ANILLO + GANCHO / REP. KIT LOCKING DEVICE |
| SK3105-93 | 90.12.24 | Anillo Desgaste Posicionador / Wearing Ring Fixture (1) |
| SK3105-92 | 90.12.25 | Anillo Desgaste de Asiento / Wearing Ring Insert (1) |
| SK3121-55 | 70.01.71 | Tornillo Allen / Socket Head Bolt (4) |
| SK1489Z | 90.12.16.1 | Gancho de Cierre / Lock Jaw (1) |
| SK2106-67 | 90.12.18 | Eje de Gancho / Pivot for Lock Jaw (1) |
| SK847 | 80.03.15 | Muelle del Gancho / Lock Jaw Spring (1) |
| SK3108-02 | 90.12.23 | Kit Engrasador / Lubrication Tubing |



| N.º | Designación / Designation | Ref. Onyarbi | Ref. Original |
|-----|--|--------------|---------------|
| 1 | Anillo de Desgaste / Wearing Ring | 90.12.04 | SK2105-19 |
| 2 | Tornillo Allen / Socket Head Bolt | 70.01.71 | SK2121-07 |
| 3 | Gancho de Cierre / Lock Jaw | 90.12.16(1) | SK1489Z |
| 4 | Eje de Gancho / Pivot for Lock Jaw | 90.12.18 | SK2106-67 |
| 5 | Muelle del Gancho / Lock Jaw Spring | 80.03.15 | SK847 |
| 6 | Pasador con Ojo Completo / Eye Bolt Complete | 90.13.31 | SK2122-04 |
| 7 | Cerrojo / Locking Bar | 90.12.21 | SK3205-06 |
| 8 | Bulon del Cerrojo Completo / Locking Bar Bolt Complete | 90.13.24 | SK3221-01 |
| 9 | Tornillo Hexagonal Completo / Hexagonal Screw Complete | 90.13.38 | SK1513 |
| 10 | Doble Muelle / Double Tension Spring | 90.12.22 | SK3105-20 |
| 11 | Bit Engrasador / Lubricating Tube | 90.12.23 | SK3108-02 |



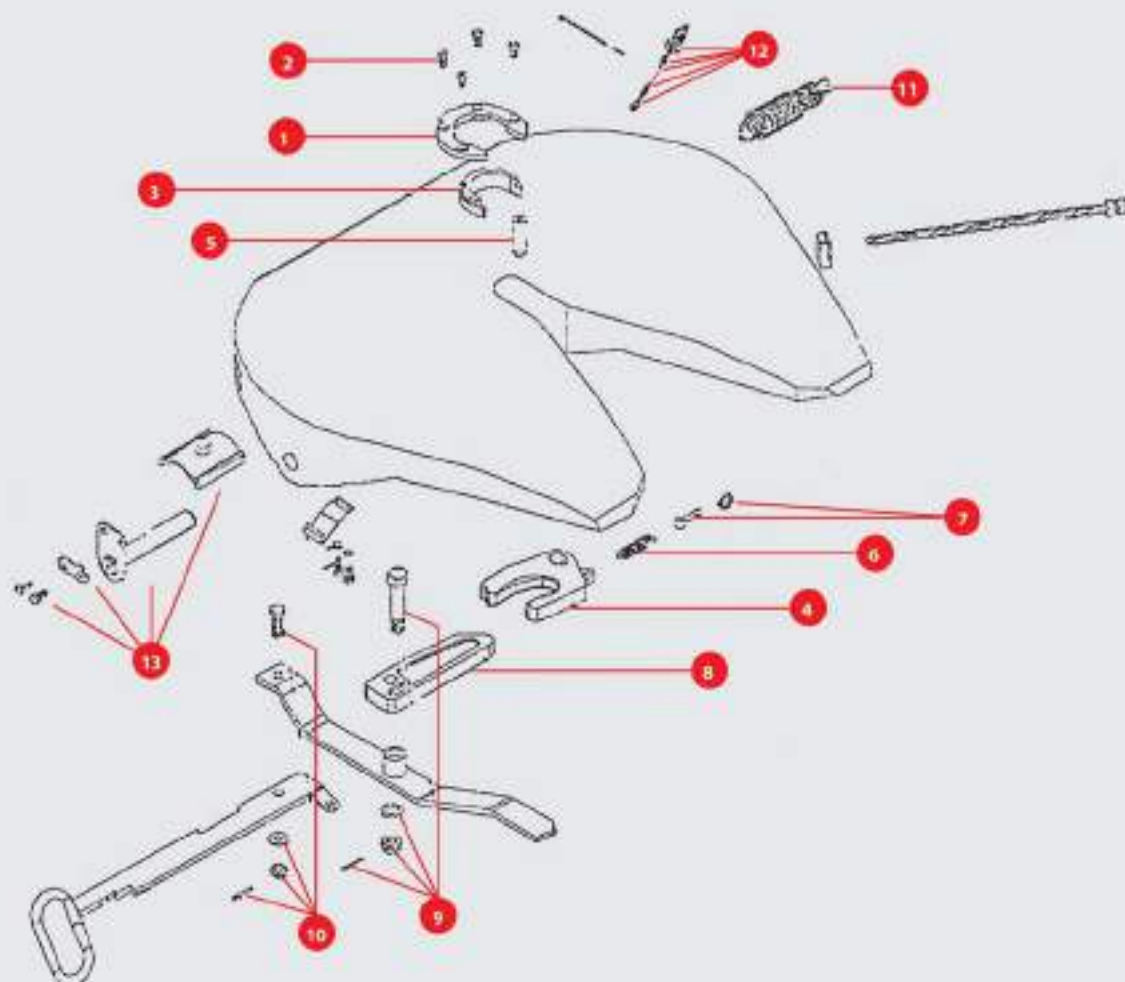
| N.º | Designación / Designation | Ref. Onyarbi | Ref. Original |
|-----|---|--------------|---------------|
| 1 | Anillo de Desgaste / Wearing Ring | 90.32.25 | SK3105-92 |
| 1.1 | Tornillo Allen / Socket head bolt | 70.01.71 | SK3121-55 |
| 2 | Anillo de Desgaste / Wearing Ring | 90.32.24 | SK3105-93 |
| 4 | Muelle del Gancho / Tension Spring | 80.03.15 | SK847 |
| 5 | Kit Engrasador / Lubrication Tube | 90.12.23 | SK3108-02 |
| 6 | Gancho de Cierre / Lock jaw | 90.12.48.1 | SK1488Z |
| 6.1 | Eje de Gancho / Bolt | 90.12.18 | SK2106-67 |
| 7 | Doble Muelle / Double Tension Spring | 90.12.22 | SK3105-20 |
| 8 | Cerrojo / Locking Bar | 90.12.21.5 | SK0010097 |
| 9 | Kit Reparación Articulación / Pivot Bearing Model "K" | 90.32.34.1 | SKF001370220 |
| 10 | Tornillo Métrica 16x2 / Screw Jost | 70.01.93 | |



| Ref. Original | Ref. Omyarbi | Designación / Designation |
|---------------|--------------|---|
| SRED01040020 | 90.32.29 | KIT REP. CIERRE / REP. KIT FOR LOCKING DEVICE |
| SK847 | 80.03.15 | Muelle del Gancho / Tension Spring |
| SK3105-93 | 90.32.24 | Anillo de Desgaste / Wearing Ring |
| SK3105-92 | 90.32.25 | Anillo de Desgaste / Wearing Ring |
| SK3121-55 | 70.01.71 | Tornillo Allen / Socked Head Bolt |
| SK1489Z | 90.12.48.1 | Gancho de Cierre / Lock Jaw |
| SK3108-02 | 90.12.23 | Kit Engrasador / Lubrication Tube |
| SK2106-67 | 90.12.18 | Eje de Gancho / Bolt |
| SK0010097 | 90.12.21.5 | Cerrojo / Locking Bar |



| Ref. Original | Ref. Omyarbi | Designación / Designation |
|---------------|--------------|--|
| SRED01370220 | 90.32.34.1 | KIT REP. DE ARTICULACIÓN / KIT ARTICULATION MODEL "K" |
| SRED01370020 | | Collar Completo / Collar Complete |
| SRED01011400 | | Tornillo Amarre / Bolt |



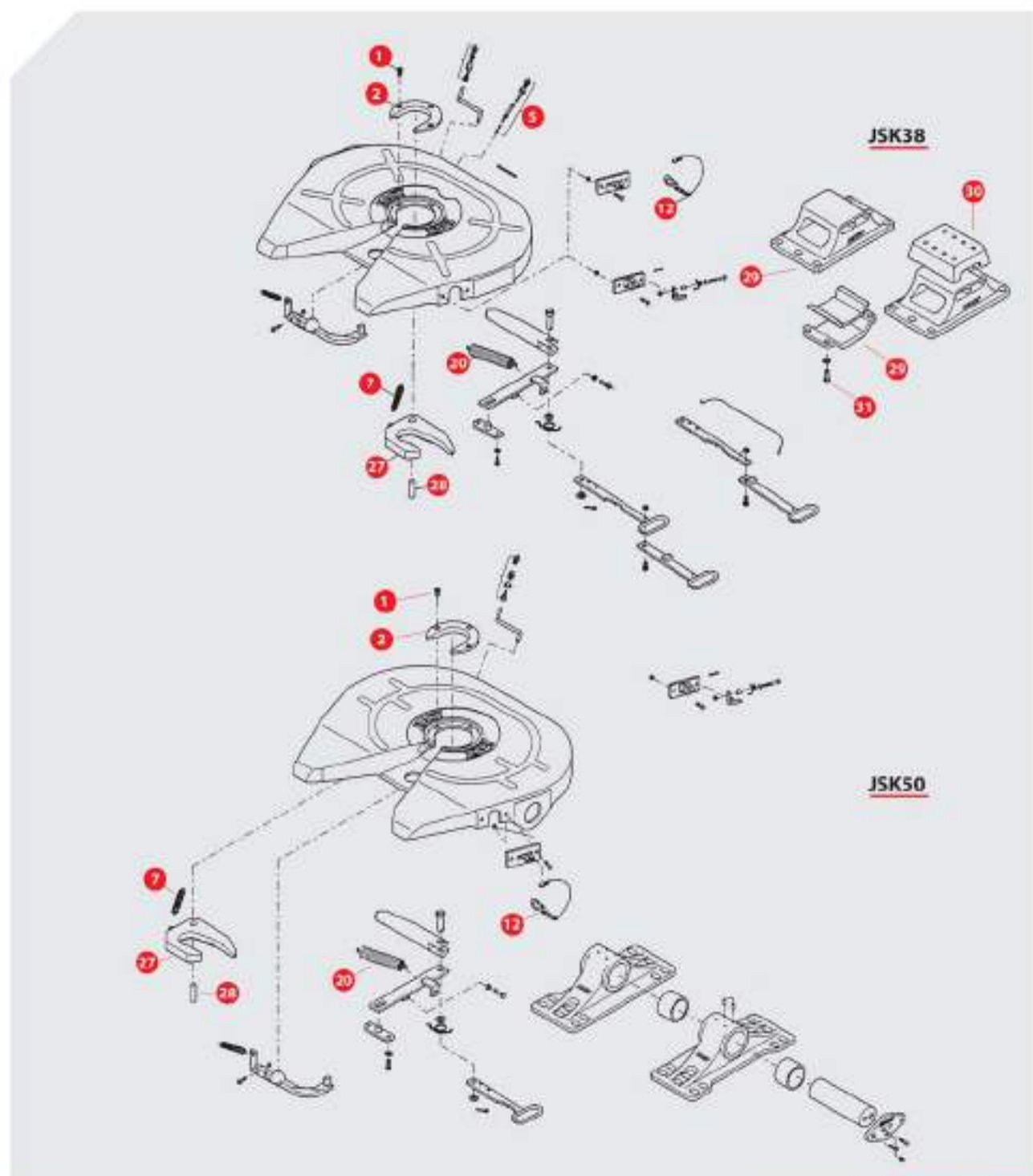
| N.º | Designación / Designation | Ref. Onyarbi | Ref. Original |
|-----|--|--------------|---------------|
| 1 | Anillo de Sujeción / Securing Ring | 90.12.24 | SK3105-93 |
| 2 | Tornillo Allen / Panscrew | 70.01.83 | SK73121-35 |
| 3 | Anillo de Fricción / Wear Insert | 90.12.25 | SK3105-92 |
| 4 | Gancho de Cierre / Lock Jaw | 90.13.34 | SK1489LZ |
| 5 | Bulon / Pivot for Lock Jaw | 90.13.35 | SK72106-67 |
| 6 | Muelle del Gancho / Lock Jaw Spring | 80.03.15 | SK847 |
| 7 | Pasador con Ojo Completo / Eye Bolt Complete | 90.13.31 | SK2122-04 |
| 8 | Cerrojo / Locking Bar | 90.12.21 | SK3205-06 |
| 9 | Bulon del Cerrojo Completo / Locking Bar Bolt Complete | 90.13.36 | SK73221-01 |
| 10 | Tornillo Hexagonal Completo / Hexagonal Screw Complete | 90.13.37 | SK71513 |
| 11 | Doble Muelle / Double Tension Spring | 90.12.22 | SK3105-20 |
| 12 | Kit Engrasador / Lubricating Tube | 90.12.23 | SK3108-02 |
| 13 | Kit Reparación Articulación Modelo "U" / Pivot Bearing Model "U" | 90.32.39 | SK75014-01 |



| Ref. Original | Ref. Omyarbi | Designación / Designation |
|---------------|--------------|---|
| SK73221-50Z | 90.13.21 | KIT R. CIERRE COMPLETO / CUSHION & LOCK JAW REBUILD L (LH only) |
| SK3105-93 | 90.12.24 | Anillo Desgaste Posicionador / Wearing Ring Fixture (1) |
| SK3105-92 | 90.12.25 | Anillo Desgaste de Asiento / Wearing Ring Insert (1) |
| SK73121-55 | 70.01.83 | Tornillo Allen / Socket Head Bolt (4) |
| SK1489LZ | 90.13.34 | Gancho de Cierre / Lock Jaw (1) |
| SK72106-67 | 90.13.35 | Bulón / Pivot for Lock Jaw (1) |
| SK847 | 80.03.15 | Muelle del Gancho / Lock Jaw Spring |
| SK2122-04 | 90.13.31 | Pasador con Ojo Completo / Eye Bolt Complete |
| SK3108-02 | 90.12.23 | Kit Engrasador / Lubrication Kit (1) |



| Ref. Original | Ref. Omyarbi | Designación / Designation |
|---------------|--------------|--|
| SK75014-01 | 90.32.39 | KIT REP. ARTICULACIÓN MODELO "U" / PIVOT BEARING MODEL "U" |
| SK72905-94 | 90.13.46 | Manguito Completo / Rubber Bushing Complete |
| SK79011-03 | 90.32.32.1 | Eje del Soporte con Tapón / Pivot Ring with Plug |
| SK3105-95 | 90.32.33 | Collarín / Collar |
| SK70202-15 | 70.01.09 | Tornillo / Screw |
| SK73104-47 | 80.02.69 | Arandela / Washer |



| N.º | Designación / Designation | Ref. Onyarbi | Ref. Original |
|-----|---|--------------|---------------|
| 1 | Tornillo Allen / Socket head bolt | 70.01.92 | SK2421-08 |
| 2 | Anillo de Desgaste + Tornillo Allen / Wearing Ring + Socket head bolt | 90.13.99 | SK2421-56 |
| 5 | Kit Engrasador / Lubrication Tube | 90.12.23 | SK3108-02 |
| 7 | Muelle del Gancho / Torsion Spring | 80.03.61 | SK2106-01 |
| 12 | Cadena Completa / Spring Hook | 90.12.52 | SK1436 |
| 20 | Doble Muelle / Double Tension Spring | 80.03.62 | SK2405-23 |
| 27 | Ganchos de Cierre / Lock jaw | 90.13.88 | SK2405-142 |
| 28 | Eje de Ganchos de Cierre / Bolt | 90.13.89 | SK2405-18 |
| 29 | Almohadilla Inferior / Rubber Bottom | 90.13.95 | SK2007 |
| 30 | Almohadilla Superior / Rubber Cushion Top | 90.13.94 | SK2006 |
| 31 | Tornillo Hexagonal Completo / Hexagon Bolt Complete | 90.13.97 | SK2421-55 |



| Ref. Original | Ref. Onyarbi | Designación / Designation |
|---------------|--------------|--|
| SK2421-50 | 90.13.99 | KIT REP. ANILLO DE DESGASTE / KIT WEARING RING |
| SK2405-12 | 90.13.87 | Anillo Desgaste / Wearing Ring |
| SK2421-08 | 70.01.92 | Tornillo Allen / Socket Head Bolt (4) |



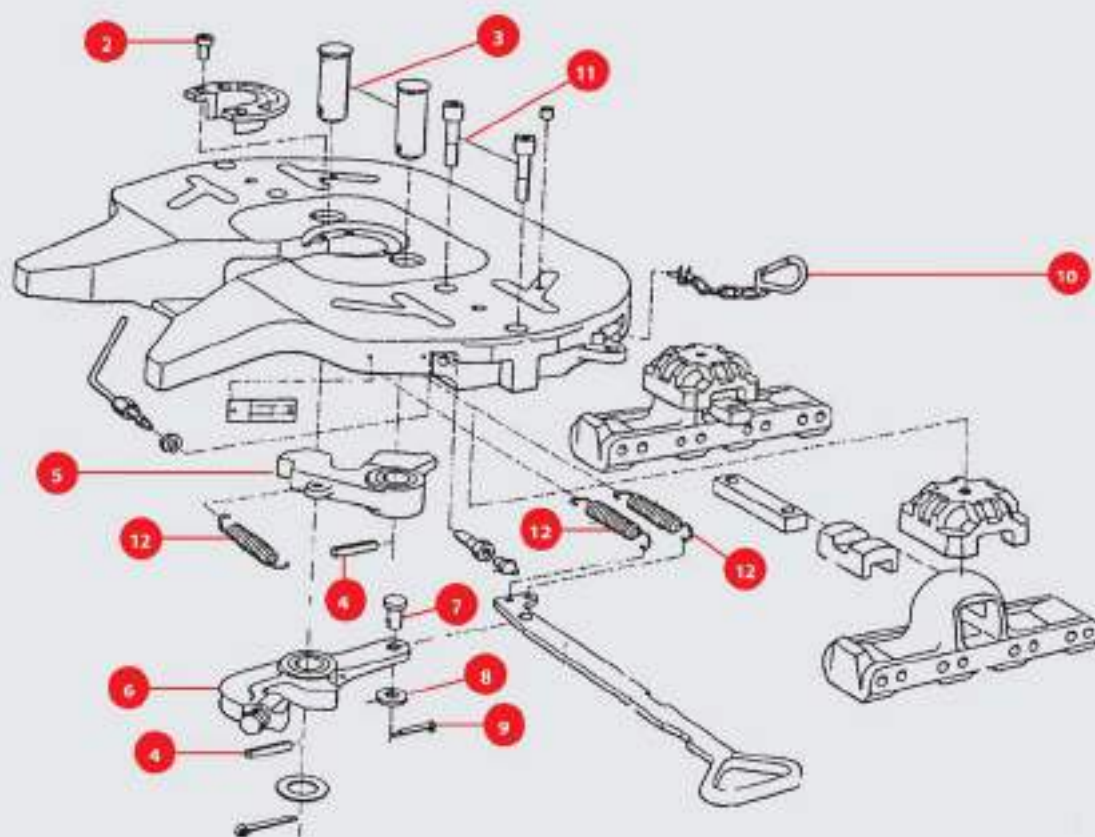
| Ref. Original | Ref. Onyarbi | Designación / Designation |
|---------------|--------------|---|
| SK240514Z | 90.13.91 | KIT REP. CIERRE / LOCK JAW REBUILD KIT |
| SK210601 | 90.13.88 | Gancho de Cierre / Lock Jaw |
| SK240518 | 80.03.61 | Muelle del Gancho / Lock Jaw Spring |
| SK310802 | 90.13.89 | Eje de Gancho de Cierre / Lock Jaw Axle |
| | 90.12.23 | Kit Engrasador / Lubrication Kit (1) |



| Ref. Original | Ref. Onyarbi | Designación / Designation |
|---------------|--------------|--|
| SK242176Z | 90.13.90.1 | KIT COMPLETO DE CIERRE / REP. KIT LOCKING DEVICE |
| SK242158 | 90.13.87 | Anillo Desgaste + Tornillo Allen / Wearing Ring + Socket Head Bolt |
| SK240514Z | 90.13.88 | Gancho de Cierre / Lock Jaw |
| SK210601 | 80.03.61 | Muelle del Gancho / Lock Jaw Spring |
| SK240518 | 90.13.89 | Eje de Gancho de Cierre / Lock Jaw Axle |
| SK310802 | 90.12.23 | Kit Engrasador / Lubrication Kit (1) |
| SK1436 | 90.12.52 | Cadena Completa / Spring Hook |
| SK240523 | 80.03.62 | Doble Muelle / Double Tension Spring |



| Ref. Original | Ref. Onyarbi | Designación / Designation |
|---------------|--------------|---|
| SK2421-78 | 90.13.96 | KIT REPARACIÓN ARTICULACIÓN MODELO "C1" / RUBBER BEARING MODEL "C1" |
| SK2006 | 90.13.94 | Almohadilla Superior / Rubber Cushion Top |
| SK2007 | 90.13.95 | Almohadilla Inferior / Rubber Bottom |
| SK22421-55 | 90.13.97 | Tornillo Hexagonal Comp. / Hexagon Bolt Complete |



| N.º | Designación / Designation | Ref. Onyarbi | Ref. Original |
|-----|---|--------------|---------------|
| 2 | Tomillo Allen / Filister Screw with Hex. Socket | 70.01.71 | 662.126.155 |
| 3 | Pivote / Pin | 90.12.89 | 662.126.409 |
| 3 | Pivote / Pin | 90.12.89(1) | 662.126.433 |
| 4 | Pasador / Cotter Pin | 80.04.26 | 662.126.174 |
| 4a | Circlo / Spring Pin | 80.05.12 | 659.100.041 |
| 5 | Gancho Completo / Complet Jaw Ass | 90.12.86 | 662.126.403 |
| 6 | Cerrojo Completo / Locking Hook Ass | 90.12.85 | 662.126.401 |
| 7 | Perno / Pivot | 90.12.96 | 662.126.429 |
| 7a | Perno / Pivot | 90.13.28 | 662.126.172 |
| 8 | Arandela / Washer | 80.02.56 | 662.126.175 |
| 9 | Pasador / Split Pivot | 80.04.27 | |
| 10 | Mosquetón / Spring Safety Hook | 90.12.52 | 662.100.574 |
| 11 | Tomillo Allen / Filister Screw with Hex. Socket | 70.01.81 | 662.125.171 |
| 12 | Muelle de Tracción / Tension Spring | 80.03.45 | 662.126.410 |



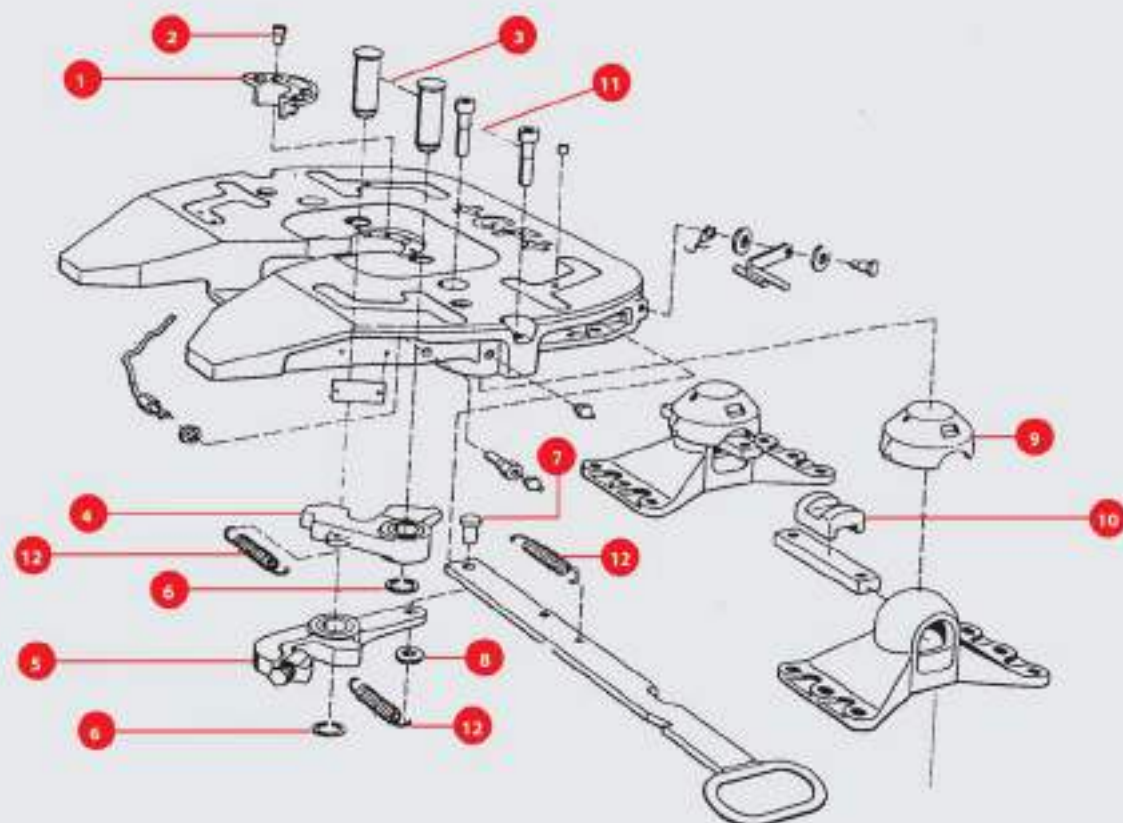
| Ref. Original | Ref. Onyarbi | Designación / Designation |
|---------------|--------------|---|
| 662.101.381 | 90.13.13 | KIT REP. DE CIERRE / REP. KIT FOR LOCKING |
| 662.126.202 | 90.12.84.1 | Anillo de Desgaste / Wearing Ring (1) |
| 662.126.155 | 70.01.71 | Tornillo Allen / Hillister Screw with Hexag. Socket (4) |
| 662.126.409 | 90.12.89 | Pivote / Pin (1) |
| 662.126.403 | 90.12.86 | Gancho Completo / Complet Jaw Ass (1) |
| 662.126.174 | 80.04.26 | Pasador / Cotter Pin (1) |
| 662.129.429 | 90.12.96 | Perno / Pivot (1) |
| 662.126.159 | 80.02.51 | Arandela / Washer (4) |



| Ref. Original | Ref. Onyarbi | Designación / Designation |
|---------------|--------------|---|
| 662.101.367 | 90.13.14 | KIT REP. DE CIERRE / REP. KIT FOR LOCKING |
| 662.126.202 | 90.12.84.1 | Anillo de Desgaste / Wearing Ring (1) |
| 662.126.155 | 70.01.71 | Tornillo Allen / Hillister Screw with Hexag. Socket (4) |
| 662.126.433 | 90.12.89.1 | Pivote / Pin (1) |
| 662.126.172 | 90.13.28 | Tornillo / Screw (1) |
| 662.126.174 | 80.04.26 | Pasador / Cotter Pin (1) |
| 662.126.403 | 90.12.86 | Gancho Completo / Complet Jaw Ass (1) |
| 662.126.175 | 80.02.56 | Arandela / Washer (4) |



| Ref. Original | Ref. Onyarbi | Designación / Designation |
|---------------|--------------|--|
| 662.126.403 | 90.13.23 | KIT R. DEL GANCHO DE CIERRE / R. KIT FOR COMPLET JAW |
| 662.126.409 | 90.12.86 | Gancho Completo / Complet Jaw Ass (1) |
| 662.126.410 | 90.12.89 | Pivote / Pin (2) |
| 662.126.410 | 80.03.45 | Muelle de Tracción / Tension Spring (1) |



| N.º | Designación / Designation | Ref. Onyarbi | Ref. Original |
|-----|--|--------------|---------------|
| 1 | Anillo de Desgaste / Wearing Ring | 90.12.84 | 662.126.229 |
| 2 | Tornillo Allen / Fillister Screw with Hex. Socket | 70.01.71 | 662.126.155 |
| 3 | Pivote / Pin | 90.12.89(2) | 662.126.441 |
| 4 | Gancho Completo / Complet Jaw Ass | 90.12.86 | 662.126.403 |
| 5 | Cerrojo Completo / Locking Hook Ass | 90.12.85 | 662.126.401 |
| 6 | Anillo Exterior de Seguridad / External Locking Ring | 80.05.10 | 662.126.169 |
| 7 | Perno / Pivot | 90.12.96 | 662.126.429 |
| 8 | Arandela / Washer | 80.02.51 | 662.126.159 |
| 9 | Apoyo / Bearing | 90.12.87 | 662.126.633 |
| 10 | Amortiguador de Caucho / Rubber Cushion | 90.12.88 | 662.114.110 |
| 11 | Tornillo Allen / Fillister Screw with Hex. Socket | 70.01.81 | 662.125.171 |
| 12 | Muelle de Tracción / Tension Spring | 80.03.45 | 662.126.410 |



| Ref. Original | Ref. Onyarbí | Designación / Designation |
|---------------|--------------|---|
| 662.101.422 | 90.13.10 | K. R. PARA CIERRE Y SUSPENSIÓN / R. K. FOR LOCKING & BEARINGS |
| 662.126.229 | 90.12.84 | Anillo de Desgaste / Wearing Ring (1) |
| 662.126.155 | 70.01.71 | Tornillo Allen / Hillister Screw with Hexag. Socket (4) |
| 662.126.441 | 90.12.89.2 | Pivote / Pin (1) |
| 662.126.403 | 90.12.86 | Gancho Completo / Complet Jaw Ass (1) |
| 662.126.189 | 80.05.10 | Anillo Exterior de Seguridad / External Locking Ring (1) |
| 662.126.429 | 90.12.96 | Perno / Pivot (1) |
| 662.126.159 | 80.02.51 | Arandela / Washer (4) |
| 662.114.110 | 90.12.88 | Amortiguador de Caucho / Rubber Cushion (2) |
| 662.126.633 | 90.12.87 | Apoyo / Bearing (2) |



| Ref. Original | Ref. Onyarbí | Designación / Designation |
|---------------|--------------|--|
| 662.101.423 | 90.13.11 | KIT REP. PARA CIERRE / REP. KIT FOR LOCKING |
| 662.126.229 | 90.12.84 | Anillo de Desgaste / Wearing Ring (1) |
| 662.126.155 | 70.01.71 | Tornillo Allen / Hillister Screw with Hexag. Socket (4) |
| 662.126.441 | 90.12.89.2 | Pivote / Pin (1) |
| 662.126.403 | 90.12.86 | Gancho Completo / Complet Jaw Ass (1) |
| 662.126.189 | 80.05.10 | Anillo Exterior de Seguridad / External Locking Ring (1) |
| 662.126.429 | 90.12.96 | Perno / Pivot (1) |
| 662.126.159 | 80.02.51 | Arandela / Washer (4) |



| Ref. Original | Ref. Onyarbí | Designación / Designation |
|---------------|--------------|--|
| 662.101.334 | 90.13.12 | KIT REP. PARA SUSPENSIÓN / REP. KIT FOR BEARINGS |
| 662.114.110 | 90.12.88 | Amortiguador de Caucho / Rubber Cushion (2) |
| 662.126.633 | 90.12.87 | Apoyo / Bearing (2) |

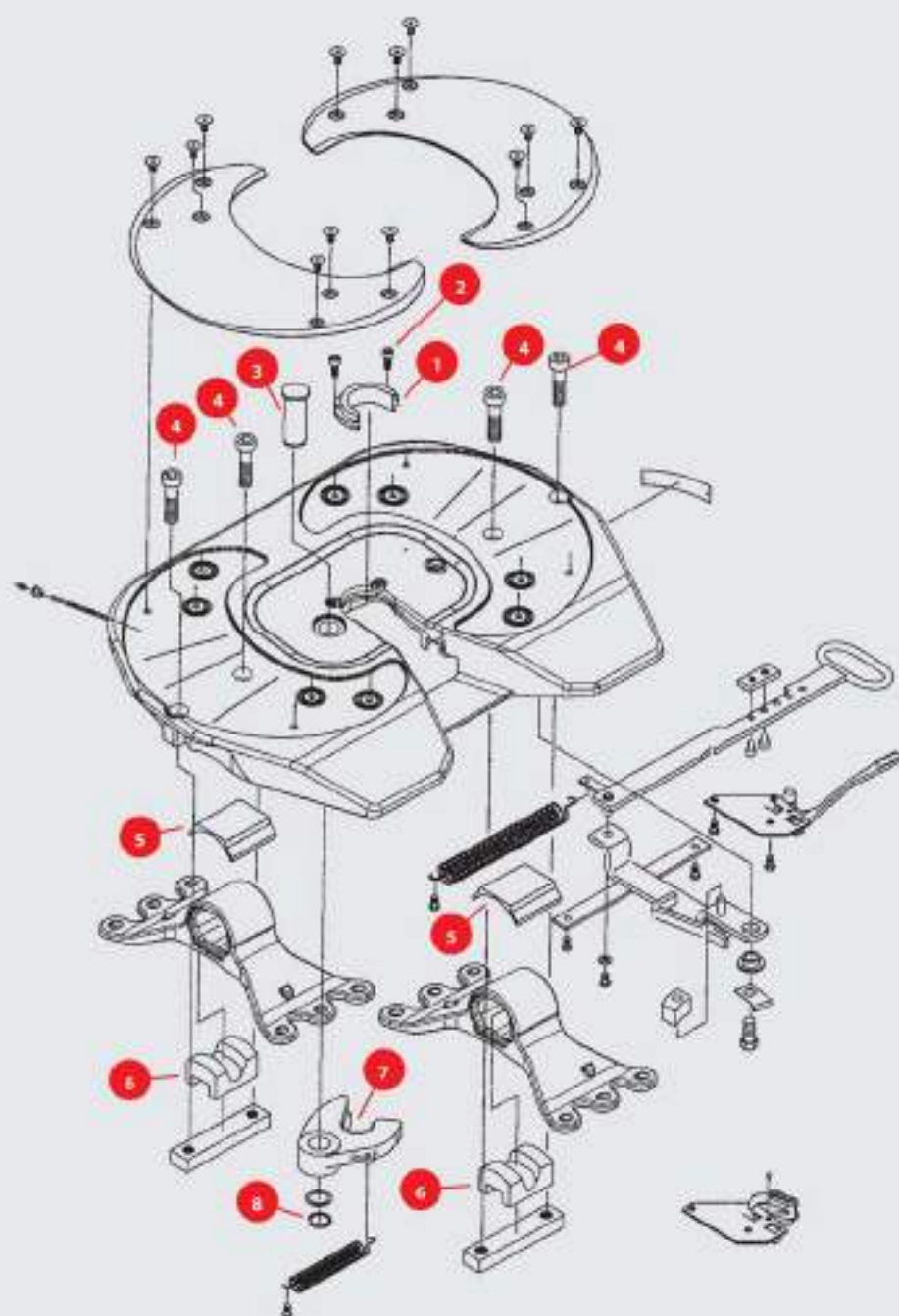


| Ref. Original | Ref. Onyarbí | Designación / Designation |
|---------------|--------------|---|
| 662.126.229 | 90.13.22 | KIT REP. ANILLO DESGASTE / REP. KIT WEARING RING |
| 662.126.155 | 90.12.84 | Anillo de Desgaste / Wearing Ring (1) |
| | 70.01.71 | Tornillo Allen / Hillister Screw with Hexag. Socket (4) |

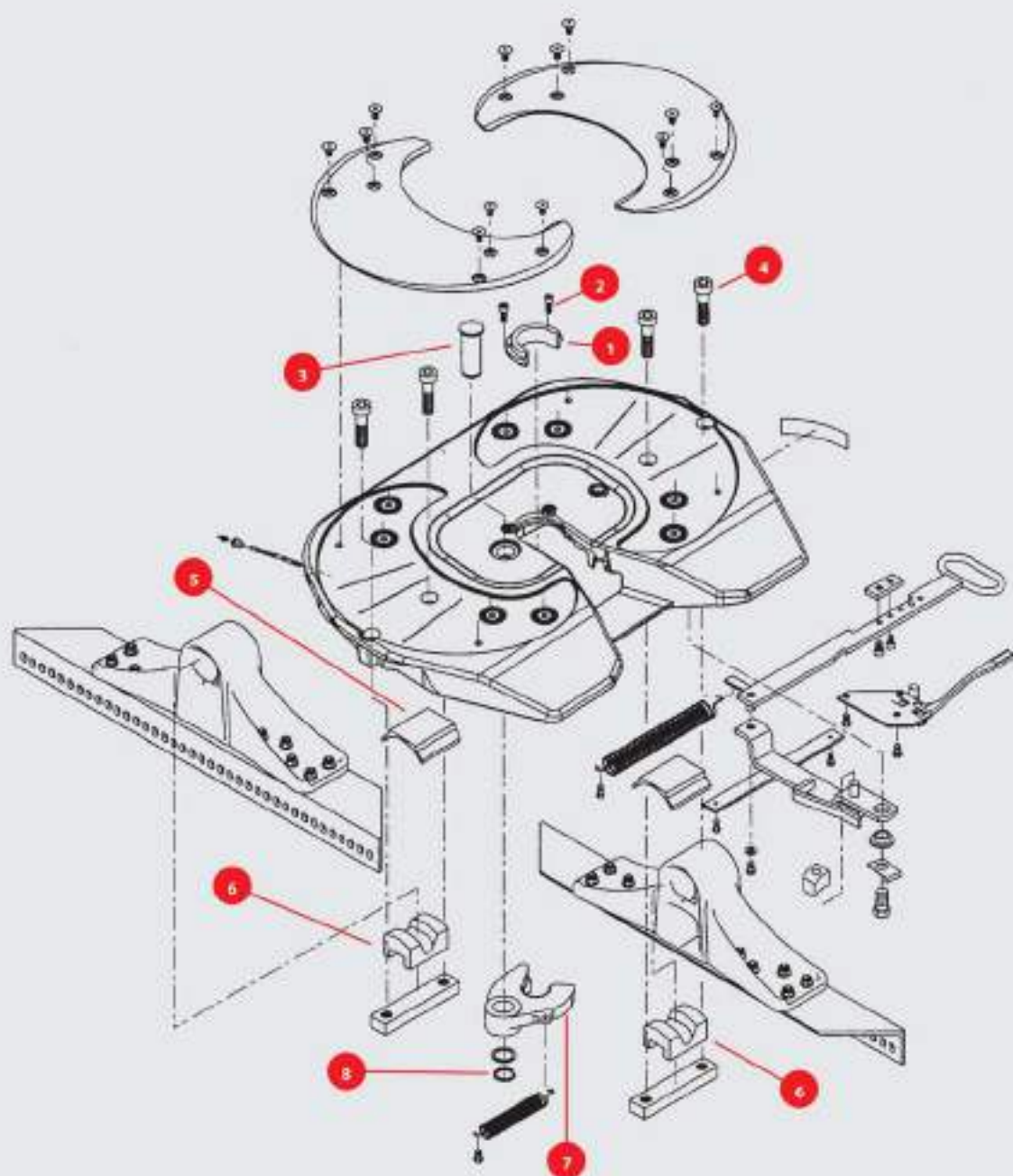
PARA TODOS LOS MODELOS FOR ALL THE MODELS



| Ref. Original | Ref. Onyarbí | Designación / Designation |
|---------------|--------------|---|
| 662.101.401 | 90.12.85 | KIT REP. CERROJO COMPLETO / REP. KIT LOCKING HOOK ASS |



| N.º | Designación / Designation | Ref. Onyarbi | Ref. Original |
|-----|--|--------------|---------------|
| 1 | Anillo de Desgaste / Wearing Ring | 90.13.73 | 662.131.114 |
| 2 | Tornillo Allen / Filister Screw with Hex. Socket | 70.01.71 | 659.112.372 |
| 3 | Bulón / Pin | 90.13.75 | 662.129.375 |
| 4 | Tornillo Cincado con Resina / Cap Bolt | 70.01.89 | 659.112.365 |
| 5 | Base Poliuretano / Bearing Insert | 90.13.74 | 662.130.101 |
| 6 | Almohadilla / Rubber Damper | 90.12.88 | 662.114.110 |
| 7 | Gancho / Coupler Jaw | 90.13.72 | 662.131.107 |
| 8 | Circloj / Circlip | 80.05.20 | 659.100.027 |



| N.º | Designación / Designation | Ref. Onyarbi | Ref. Original |
|-----|---|--------------|---------------|
| 1 | Anillo de Desgaste / Wearing Ring | 90.13.73 | 662.131.114 |
| 2 | Tornillo Allen / Fillister Screw with Hex. Socket | 70.01.71 | 659.112.372 |
| 3 | Bulón / Pin | 90.13.75 | 662.120.375 |
| 4 | Tornillo Cincado con Resina / Cap Bolt | 70.01.89 | 659.112.365 |
| 5 | Base Poliuretano / Bearing Insert | 90.13.74 | 662.130.101 |
| 6 | Almohadilla / Rubber Damper | 90.12.88 | 662.114.110 |
| 7 | Gancho / Coupler Jaw | 90.13.72 | 662.131.107 |
| 8 | Circlo / Circlip | 80.05.20 | 659.100.027 |



| Ref. Original | Ref. Onyarbi | Designación / Designation |
|---------------|--------------|---|
| 662.101.516 | 90.13.76 | KIT REP. COMPLETO +GF+ 36.20 |
| | 70.01.71 | Tornillo Allen / Fillister Screw with Hexag. Socket (4) |
| 659.112.365 | 70.01.89 | Tornillo M20X2.5X80 Cincado 8-8 con Resina/ |
| 659.100.027 | 80.05.20 | Circlip Din 471 E-35 (35x25) / Circlip |
| 662.114.110 | 90.12.88 | Almohadilla / Pad |
| 662.131.107 | 90.13.72 | Gancho Completo / Complet Jaw Ass (1) |
| 662.131.114 | 90.13.73 | Anillo de Desgaste / Wearing Ring (1) |
| 662.130.101 | 90.13.74 | Base Poliuretano / Poly Bracket Pad |
| 662.129.375 | 90.13.75 | Bulón 36.20 / Bolt |



| Ref. Original | Ref. Onyarbi | Designación / Designation |
|---------------|--------------|---|
| 662.101.517 | 90.13.77 | KIT REP. PARA CIERRE / REP KIT FOR LOCKING |
| | 70.01.71 | Tornillo Allen / Fillister Screw with Hexag. Socket (2) |
| 659.100.027 | 80.05.20 | Circlip Din 471 E-35 (35x25) / Circlip |
| 662.131.107 | 90.13.72 | Gancho Completo / Complet Jaw Ass (1) |
| 662.131.114 | 90.13.73 | Anillo de Desgaste / Wearing Ring (1) |
| 662.129.375 | 90.13.75 | Bulón 36.20 / Bolt |

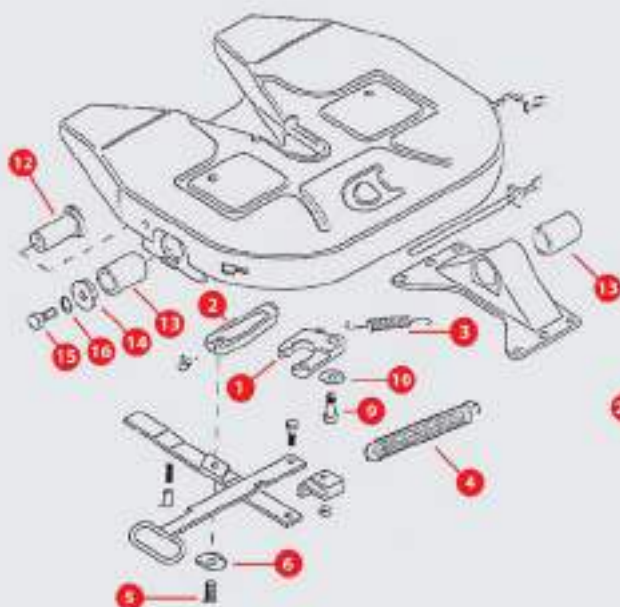


| Ref. Original | Ref. Onyarbi | Designación / Designation |
|---------------|--------------|--|
| 662.101.518 | 90.13.78 | KIT REP. PARA SUSPENSIÓN / REP. KIT FOR BEARINGS |
| 659.112.365 | 70.01.89 | Tornillo M20X2.5X80 Cincado 8-8 con Resina/ |
| 662.114.110 | 90.12.88 | Almohadilla / Pad |
| 662.130.101 | 90.13.74 | Base Poliuretano / Poly Bracket Pad |



| Ref. Original | Ref. Onyarbi | Designación / Designation |
|---------------|--------------|---|
| 662.101.534 | 90.13.92 | KIT REP. ANILLO DE DESGASTE / REP. KIT WEARING RING |
| 662.131.114 | 90.13.73 | Anillo de desgaste / Wearing Ring |
| | 70.01.71 | Tornillo Allen / Socket Head bolt (x2) |

TIPO: "MK1"



TIPO: "EURO D"



| N.º | Designación / Designation | Ref. Onyarbi | Ref. Original |
|-----|--|--------------|---------------|
| 1 | Gancho de Cierre antes Sept. 96 / Lock Jaw before Sept 96 | 90.12.43 | |
| 1a | Gancho de Cierre después Sept. 96 / Lock Jaw after Sept 96 | 90.12.48 | |
| 2 | Cerrojo antes Sept. 96 / Locking Bar before Sept 96 | 90.12.21(3) | |
| 2a | Cerrojo después Sept. 96 / Locking Bar after Sept 96 | 90.12.21(4) | |
| 3 | Muelle del Gancho / Lock Jaw Spring | 80.03.34 | |
| 4 | Doble Muelle / Main Spring | 90.12.22 | |
| 5 | Tomillo de la Palanca / Lever Bolt | 70.01.73 | |
| 6 | Arandela / Washer | 80.02.34 | |
| 7 | Arandela / Washer | 80.02.29 | |
| 8 | Pasador de Aleta / Lock Jaw Pin | 80.04.12 | |
| 9 | Tomillo del Gancho / Lock Jaw Bolt | 70.01.74 | |
| 10 | Arandela / Washer | 80.02.35 | |
| 11 | Eje del Gancho / Lock Jaw Bolt | 90.12.49 | |
| 12 | Eje del Soporte / Trunnion Pin | 90.12.33 | |
| 13 | Casquillo del Soporte / Bush | 90.12.35 | |
| 14 | Tapa del Eje / End Piece | 90.12.34 | |
| 15 | Tomillo / Bolt | 70.01.75 | |
| 16 | Arandela / Washer | 80.02.36 | |
| 17 | Eje del Soporte / Trunnion Pin | 90.12.45 | |
| 18 | Casquillo del Soporte / Bush | 90.12.46 | |
| 19 | Tomillo / Bolt | 70.01.78 | |
| 20 | Arandela / Washer | 80.02.40 | |
| 21 | Arandela / Washer | 80.02.41 | |



| Ref. Original | Ref. Onyarbi | Designación / Designation |
|---------------|--------------|---|
| 503.910 | 90.12.29 | KIT REP. para CIERRE TIPO MK1 / REP. KIT for LOCKING TYPE MK1 |
| | 90.12.43 | Gancho de Cierre de 36° / Lock Jaw (1) 36° |
| | 90.12.21.3 | Cerrojo / Locking Bar (1) |
| | 90.12.22 | Doble Muelle / Double Tension Spring (1) |
| | 80.03.34 | Muelle Tracción / Lock-Spring (1) |
| | 70.01.73 | Tornillo Palanca / Lever Bolt (1) |
| | 70.01.74 | Tornillo del Gancho / Lock Jaw Bolt (1) |
| | 80.02.34 | Arandela / Washer (1) |
| | 80.02.35 | Arandela / Washer (1) |



| Ref. Original | Ref. Onyarbi | Designación / Designation |
|---------------|--------------|---|
| 503.911 | 90.12.47 | KIT REP. para CIERRE TIPO EURO D / REP. KIT for LOCKING TYPE EURO D |
| | 90.12.48 | Gancho de Cierre (1) / Lock Jaw (1) |
| | 90.12.21.3 | Cerrojo / Locking Bar (1) |
| | 90.12.22 | Doble Muelle / Double Tension Spring (1) |
| | 80.03.34 | Muelle Tracción / Lock-Spring (1) |
| | 70.01.73 | Tornillo Palanca / Lever Bolt (1) |
| | 80.02.34 | Arandela / Washer (1) |
| | 90.12.49 | Eje del Gancho / Lock Jaw Bolt (1) |
| | 80.02.29 | Arandela / Washer (1) |
| | 80.04.12 | Pasador de Aleta / Lock Jaw Pin (1) |



| Ref. Original | Ref. Onyarbi | Designación / Designation |
|---------------|--------------|--|
| | 90.12.47.1 | K. R. para CIERRE (especial) TIPO EURO D / R. K. for (special) LOCKING TYPE EURO D |
| | 90.12.48 | Gancho de Cierre (1) / Lock Jaw (1) |
| | 90.12.21.3 | Cerrojo / Locking Bar (1) |
| | 90.12.22 | Doble Muelle / Double Tension Spring (1) |
| | 80.03.34 | Muelle Tracción / Lock-Spring (1) |
| | 70.01.74 | Tornillo del Gancho / Lock Jaw Bolt (1) |
| | 70.01.73 | Tornillo Palanca / Lever Bolt |
| | 80.02.34 | Arandela / Washer (1) |
| | 80.02.35 | Arandela / Washer (1) |
| | 90.12.49 | Eje del Gancho / Lock Jaw Bolt (1) |
| | 80.02.29 | Arandela / Washer (1) |
| | 80.04.12 | Pasador de Aleta / Lock Jaw Pin (1) |



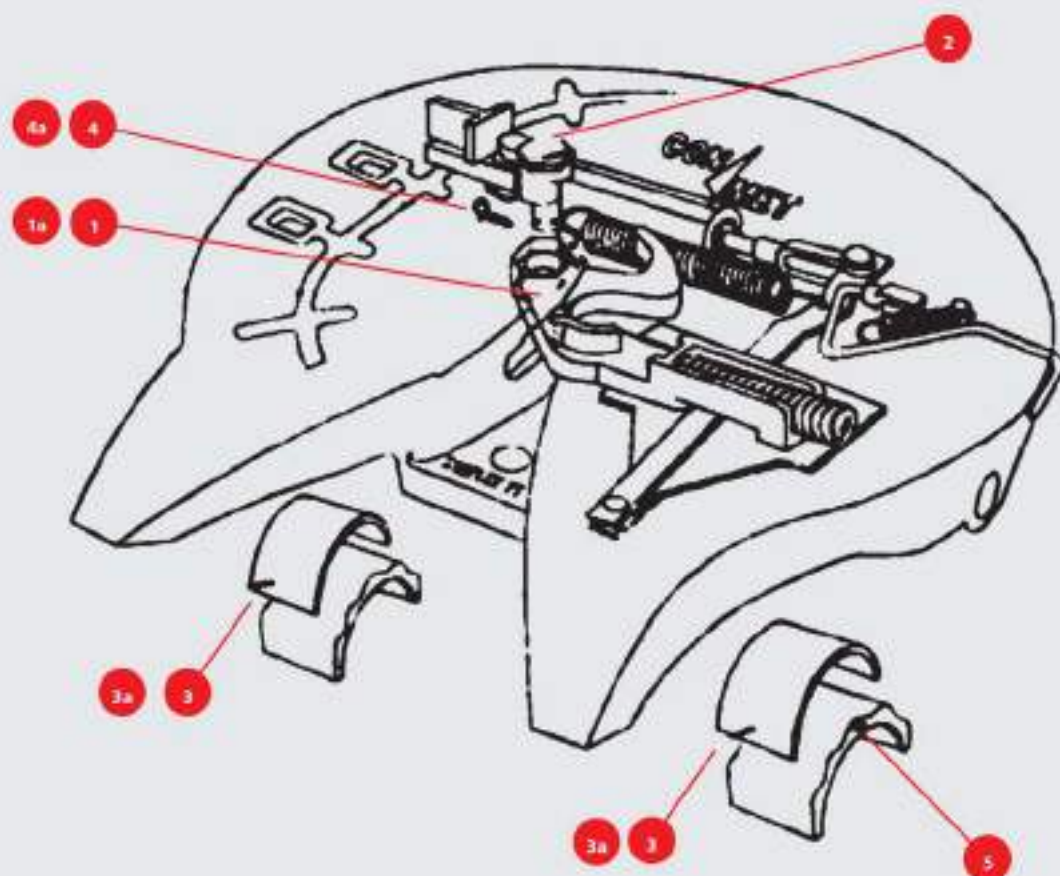
| Ref. Original | Ref. Onyarbi | Designación / Designation |
|---------------|--------------|--|
| 505.790 (X2) | 90.12.30 | KIT REP. para SUSPENSIÓN TIPO MK1 / REP. KIT for TRUNNION TYPE MK1 |
| | 90.12.33 | Eje del Soporte / Trunnion Pin (2) |
| | 90.12.35 | Casquillo del Soporte / Bush (2) |
| | 90.12.34 | Tapa del Eje / End Piece (2) |
| | 70.01.75 | Tornillo / Bolt (2) |
| | 80.02.36 | Arandela / Washer (2) |



| Ref. Original | Ref. Onyarbi | Designación / Designation |
|---------------|--------------|--|
| 305.791 (X2) | 90.12.44 | KIT REP. para SUSPENSIÓN TIPO EURO D / REP. KIT for TRUNNION TYPE EURO D |
| | 90.12.45 | Eje del Soporte / Trunnion Pin (2) |
| | 90.12.46 | Casquillo del Soporte / Bush (2) |
| | 70.01.78 | Tornillo / Bolt (4) |
| | 80.02.40 | Arandela / Washer (4) |
| | 80.02.41 | Arandela / Washer (4) |



| Ref. Original | Ref. Onyarbi | Designación / Designation |
|---------------|--------------|---|
| YF-122 | 90.12.82 | KIT REP. para CIERRE TIPO 'S' / REP. KIT for LOCKING TYPE 'S' |
| | 90.12.48 | Gancho de Cierre (1) / Lock Jaw (1) |
| | 90.12.21.4 | Cerrojo / Locking Bar (1) |
| | 90.12.22 | Doble Muelle / Double Tension Spring (1) |
| | 80.03.34 | Muelle Tracción / Lock Spring (1) |
| | 90.12.49 | Eje del Gancho / Lock Jaw Bolt (1) |
| | 90.12.83 | Eje del Cerrojo / Locking Bar Bolt (1) |
| | 80.06.04 | Engrasador / Grease Nipple |
| | 80.04.18 | Pasador de Aleta / Pins (2) |



| N.º | Designación / Designation | Ref. Onyarbi | Ref. Original |
|-----|---|--------------|---------------|
| 1 | Mordaza / Jaw Right Hand | 90.13.60 | 4109940 |
| 1a | Mordaza / Jaw Left Hand | 90.13.63 | 4109930 |
| 2 | Bulon Hexagonal / Pivot Bolt | 90.13.61 | 4109916 |
| 3 | Soporte Poliuretano / Poly Bracket Pad | 90.13.62 | 4100358 |
| 3a | Soporte Poliuretano / Poly Bracket Pad | 90.13.65 | 4100329 |
| 4 | Pasador Aleta Tipo R 4,5x50 / Drive Pin | 80.04.29 | 99000170 |
| 4a | Pasador Aleta Tipo R 8x110 / Drive Pin | 80.04.28 | 99000169 |
| 5 | Engrasador MT503 1/8 GAS / Grease Zerk | 80.06.11 | 84787 |



| Ref. Original | Ref. Onyarbi | Designación / Designation |
|---------------|--------------|--|
| 401.001.36 | 90.13.59 | KIT REP.SIMPLEX MANO DCHA. / REPAIR KIT RH SIMPLEX |
| 990.001.69 | 80.04.28 | Pasador Aleta / Drive Pin |
| 990.001.70 | 80.04.29 | Pasador Aleta / Drive Pin |
| 847.87 | 80.06.11 | Engrasador / Grease Zerk |
| 410.99 | 90.13.60 | Mordaza (Dcha.) / Lock Jaw (R) (1) |
| 410.99.16 | 90.13.61 | Bulón Hexágono / Hex. Bolt |
| 410.03.58 | 90.13.62 | Soporte Poliuretano / Poly Bracket Pad |
| 401.001.35 | 90.13.59.1 | KIT REP.SIMPLEX MANO IZDA./REPAIR KIT LH SIMPLEX |
| 990.001.69 | 80.04.28 | Pasador Aleta / Cotter Pin |
| 990.001.70 | 80.04.29 | Pasador Aleta / Cotter Pin |
| 847.87 | 80.06.11 | Engrasador / Grease Zerk |
| 410.99.30 | 90.13.63 | Mordaza (Izd.) / Lock Jaw (L) (1) |
| 410.99.16 | 90.13.61 | Bulón Hexágono / Hex. Bolt |
| 410.03.58 | 90.13.62 | Soporte Poliuretano / Poly Bracket Pad |



| Ref. Original | Ref. Onyarbi | Designación / Designation |
|---------------|--------------|--|
| 401.002.54 | 90.13.64 | KIT REP.SIMPLEX II/IIR / SIMPLEX REPAIR KIT II/IIR |
| 990.001.69 | 80.04.28 | Pasador Aleta / Cotter Pin |
| 990.001.70 | 80.04.29 | Pasador Aleta / Cotter Pin |
| 847.87 | 80.06.11 | Engrasador / Grease Zerk |
| 410.99.16 | 90.13.61 | Bulón Hexágono / Hex. Bolt |
| 410.99.30 | 90.13.63 | Mordaza (Izd.) / Lock Jaw (L) (1) |
| 410.03.29 | 90.13.65 | Soporte Poliuretano / Poly Bracket Pad |

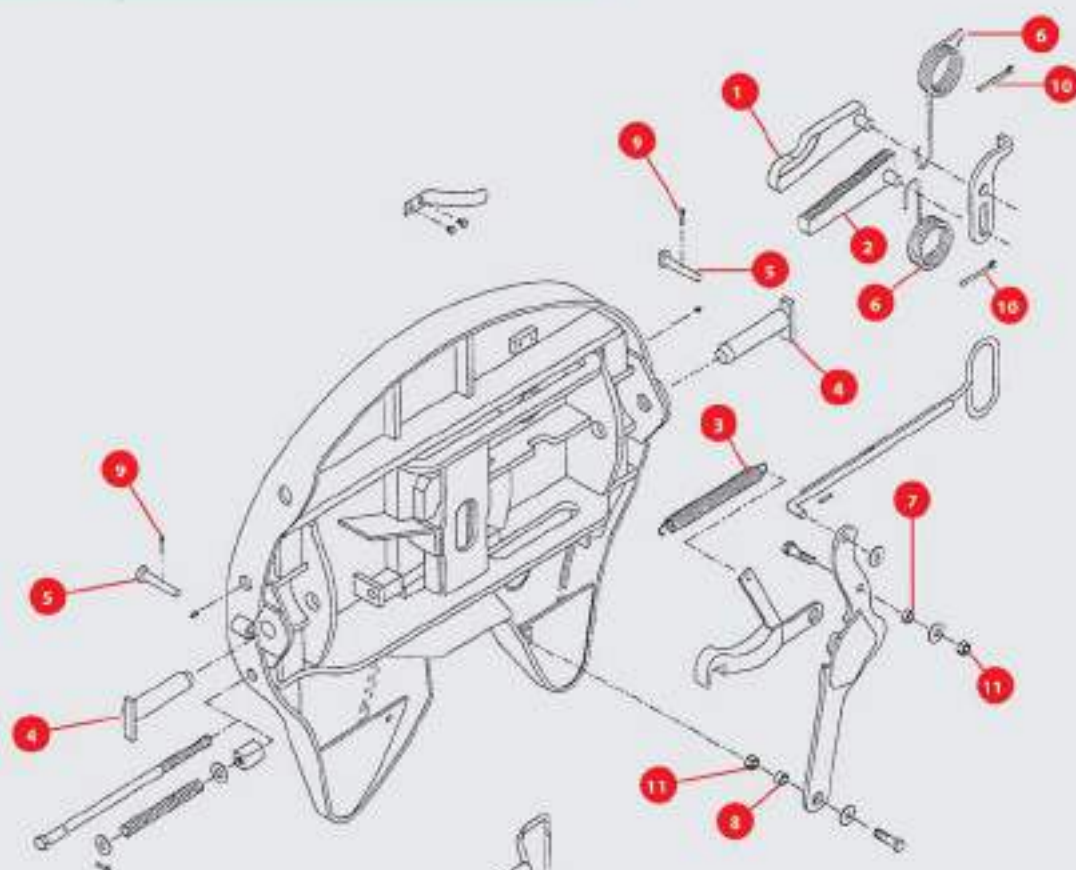


| Ref. Original | Ref. Onyarbi | Designación / Designation |
|---------------|--------------|---|
| 400.05.03 | 90.13.68 | KIT DE MORDAZA DCHA. / RIGHT HAND JAW KIT |
| 990.00.170 | 80.04.29 | Pasador Aleta / Cotter Pin |
| 410.99.40 | 90.13.60 | Mordaza (Dcha.) / Lock Jaw (R) (1) |
| 410.99.16 | 90.13.61 | Bulón Hexágono / Hex. Bolt |
| 400.05.01 | 90.13.68.1 | KIT DE MORDAZA IZDA. / LEFT HAND JAW KIT |
| 990.00.170 | 80.04.29 | Pasador Aleta / Cotter Pin |
| 410.99.30 | 90.13.63 | Mordaza (Izd.) / Lock Jaw (L) (1) |
| 410.99.16 | 90.13.61 | Bulón Hexágono / Hex. Bolt |

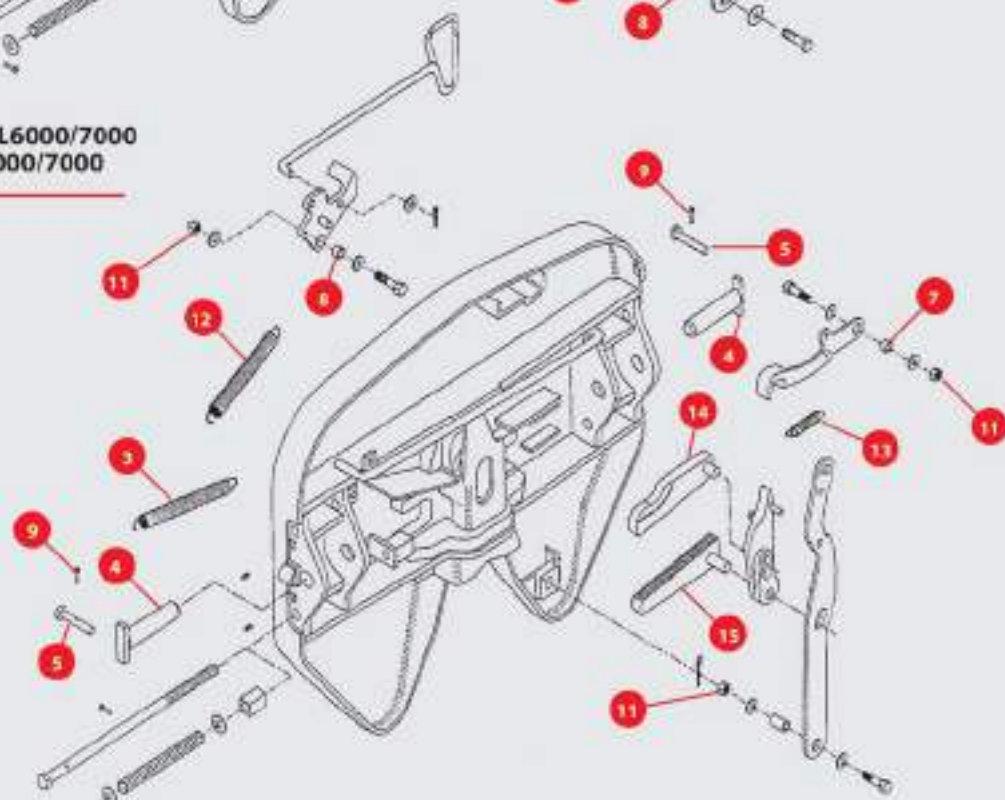


| Ref. Original | Ref. Onyarbi | Designación / Designation |
|---------------|--------------|--|
| 990.00.169 | 90.13.69 | KIT DE ALMOHADILLAS PARA 40501 / PAD KIT 40501 |
| 847.87 | 80.04.28 | Pasador Aleta / Cotter Pin |
| 410.03.29 | 80.06.11 | Engrasador / Grease Zerk |
| | 90.13.65 | Soporte Poliuretano / Poly Bracket Pad |
| 990.00.169 | 90.13.70 | KIT DE ALMOHADILLAS PARA 40503 / PAD KIT 40503 |
| 847.87 | 80.04.28 | Pasador Aleta / Cotter Pin |
| 410.03.58 | 80.06.11 | Engrasador / Grease Zerk |
| | 90.13.62 | Soporte Poliuretano / Poly Bracket Pad |

5.ª RUEDA TIPO: DCH/IZD-TPL5092 • TYPE: SR/SL-TPL5092



TIPO: DCH/IZD-TPL6000/7000 TYPE: SR/SL-TPL6000/7000



5.ª Rueda tipo: DCH/IZD-TPL5092 • DCH/IZD-TPL6000/7000
TYPE: SR/SL-TPL5092 • SR/SL-TPL6000/7000

| N.º | Designación / Designation | Ref. Onyarbi | Ref. Original |
|-----|---|--------------|---------------|
| 1 | Gancho (DCH) / Jaw (SR) | 90.12.54 | WED-200 |
| 1a | Gancho (IZD) / Jaw (SL) | 90.12.54(1) | WED-200 |
| 2 | Cerrojo (DCH) / Wedge (SR) | 90.12.55 | WED-200 |
| 2a | Cerrojo (IZD) / Wedge (SL) | 90.12.55(1) | WED-200 |
| 3 | Muelle Tracción / Bumper Spring | 80.03.38 | SPR-128 |
| 4 | Eje de Suspensión / Bracket Pin | 90.12.59 | PIN-191P |
| 5 | Tornillo de Suspensión / Bracket Retainer Pin | 90.12.60 | PIN-124P |
| 6 | Muelle (DCH) / Jaw and Wedge Spring (SR) | 80.03.37 | SPR-137-138 |
| 6a | Muelle (IZD) / Jaw and Wedge Spring (SL) | 80.03.37(1) | SPR-137-138 |
| 7 | Casquillo / Bushing, 5/16" | 90.12.56 | BSH-629 |
| 8 | Casquillo / Bushing, 7/16" | 90.12.57 | BSH-115 |
| 9 | Pasador / Cotter Pin | 80.04.12 | PIN-165 |
| 10 | Pasador / Cotter Pin | 80.04.16 | PIN-95 |
| 11 | Tuerca / Hex. Lock Nut, 1/2"-13 | 80.01.38 | NUT-303-9 |
| 12 | Muelle / Handle Spring | 80.03.48 | SPR-338 |
| 13 | Muelle / Timer Spring | 80.03.15 | CD-SPR-236 |
| 14 | Gancho (DCH) / Jaw (SR) | 90.13.15 | WED-600 |
| 14a | Gancho (IZD) / Jaw (SL) | 90.13.15(1) | WED-600 |
| 15 | Cerrojo (DCH) / Wedge (SR) | 90.13.16 | WED-600 |
| 15a | Cerrojo (IZD) / Wedge (SL) | 90.13.16(1) | WED-600 |



| Ref. Original | Ref. Onyarbi | Designación / Designation |
|---------------|------------------|---|
| RPR-5092 (R) | 90.12.62 (Dcha.) | KIT REP. SILLETA APERTURA DCHA. / REP. KIT RIGHT SIDE RELEASE |
| SPR-128 | 80.03.38 | Muelle Tracción / Bumper Spring (1) |
| SPR-137 | 80.03.37 | Muelle (Dcha.) / Jaw and Wedge Spring (SR) (1) |
| SPR-138 | 80.03.37.1 | Muelle (Izd.) / Jaw and Wedge Spring (LR) (1) |
| BSH-115 | 90.12.57 | Casquillo / Bushing, 7/16" (1) |
| BSH-629 | 90.12.56 | Casquillo / Bushing, 5/16" (1) |
| WED-200 | 90.12.54 | Gancho (Dcha.) / Jaw (SR) (1) |
| WED-200 | 90.12.55 | Cerrojo (Dcha.) / Wedge (SR) (1) |
| Nut-303-9 | 80.01.38 | Tuerca / Hex. Lock Nut, 1/2"-13 (3) |
| Pin-95 | 80.04.16 | Pasador / Cotter Pin (2) |

| | | |
|--------------|-------------------|---|
| RPR-5092 (L) | 90.12.62.1 (Izd.) | KIT REP. SILLETA APERTURA IZD. / REP. KIT LEFT SIDE RELEASE SHOWN |
| SPR-128 | 80.03.38 | Muelle Tracción / Bumper Spring (1) |
| SPR-137 | 80.03.37 | Muelle (Dcha.) / Jaw and Wedge Spring (SR) (1) |
| SPR-138 | 80.03.37.190.12 | Muelle (Izd.) / Jaw and Wedge Spring (LR) (1) |
| BSH-115 | .57 | Casquillo / Bushing, 7/16" (1) |
| BSH-629 | 90.12.56 | Casquillo / Bushing, 5/16" (1) |
| WED-200 | 90.12.54.1 | Gancho (Izd.) / Jaw (LR) (1) |
| WED-200 | 90.12.55.1 | Cerrojo (Izd.) / Wedge (LR) (1) |
| Nut-303-9 | 80.01.38 | Tuerca / Hex. Lock Nut, 1/2"-13 (3) |
| Pin-95 | 80.04.16 | Pasador / Cotter Pin (2) |

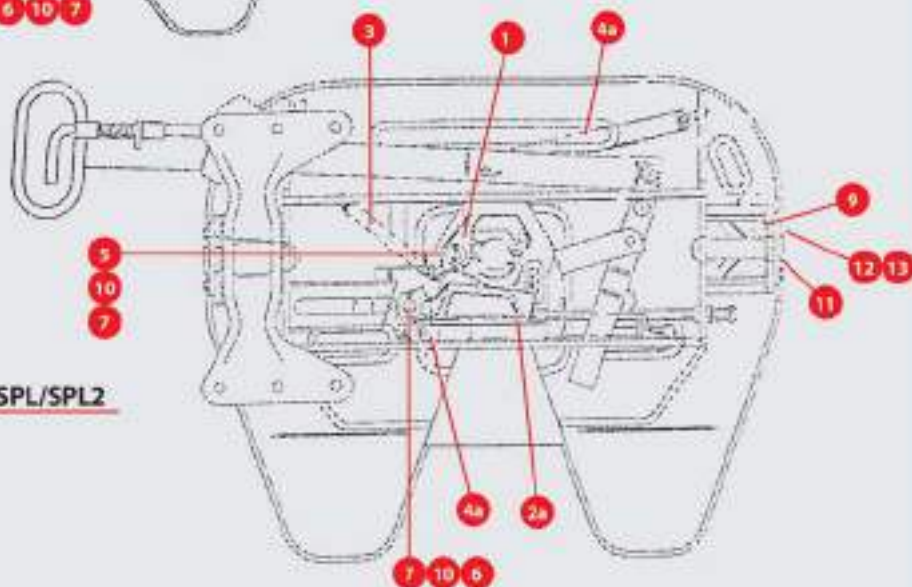
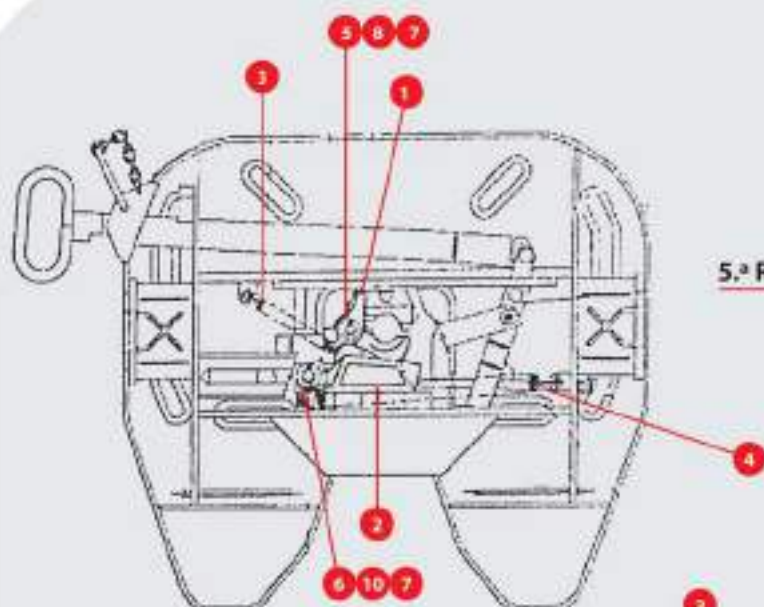


| Ref. Original | Ref. Onyarbi | Designación / Designation |
|---------------|--------------|---|
| KIT-PIN-UNVL | 90.12.63 | KIT REP. SOPORTE / UNIVERSAL SERIES PIN AND BUSHING KIT |
| Pin-124P | 90.12.60 | Tornillo de Suspensión / Bracket Retainer Pin (2) |
| Pin-191P | 90.12.59 | Eje de Suspensión / Bracket Pin (2) |
| | 90.12.61 | Casquillo de Suspensión / Bracket Bushing (2) |
| Pin-165 | 80.04.12 | Pasador / Cotter Pin, 3/16"x1" (2) |



| Ref. Original | Ref. Onyarbi | Designación / Designation |
|---------------|------------------|---|
| RPR-6000 (R) | 90.13.50 (Dcha.) | KIT REP. SILLETA APERTURA DCHA. / REP. KIT RIGHT SIDE RELEASE |
| SPR-128 | 80.03.38 | Muelle Tracción / Bumper Spring (1) |
| CD-SPR-236 | 80.03.15 | Muelle / Timer Spring (1) |
| BSH-115 | 90.12.57 | Casquillo / Bushing, 7/16" (1) |
| BSH-629 | 90.12.56 | Casquillo / Bushing, 5/16" (1) |
| BSH-1225 | 90.13.43 | Casquillo / Bushing (1) |
| NUT-303-9 | 80.01.38 | Tuerca / Hex. Lock Nut, 1/2"-13 (3) |
| SPR-338 | 80.03.48 | Muelle / Handle Spring (1) |
| WED-6000 | 90.13.15 | Gancho (Dcha.) / Jaw (SR) (1) |
| WED-6000 | 90.13.16 | Cerrojo (Dcha.) / Wedge (SR) (1) |

| | | |
|--------------|-------------------|---|
| RPR-6000 (L) | 90.13.50.1 (Izd.) | KIT REP. SILLETA APERTURA IZD. / REP. KIT LEFT SIDE RELEASE SHOWN |
| SPR-128 | 80.03.38 | Muelle Tracción / Bumper Spring (1) |
| CD-SPR-236 | 80.03.15 | Muelle / Timer Spring (1) Casquillo / Bushing, 7/16" (1) |
| BSH-115 | 90.12.57 | Casquillo / Bushing, 7/16" (1) |
| BSH-629 | 90.12.56 | Casquillo / Bushing, 5/16" (1) |
| BSH-1225 | 90.13.43 | Casquillo / Bushing (1) |
| NUT-303-9 | 80.01.38 | Tuerca / Hex. Lock Nut, 1/2"-13 (3) |
| SPR-338 | 80.03.48 | Muelle / Handle Spring (1) |
| WED-6000 | 90.13.15.1 | Gancho (Izd.) / Jaw (LR) (1) |
| WED-6000 | 90.13.16.1 | Cerrojo (Izd.) / Wedge (LR) (1) |



| N.º | Designación / Designation | Ref. Onyarbi | Ref. Original |
|-----|--|--------------|---------------|
| 1 | Mordaza / Jaw | 90.12.36 | 59010435 |
| 2 | Cerrojo / Lockbar | 90.12.37 | 59005889 |
| 2a | Cerrojo / Lockbar | 90.12.37(1) | 59007171 |
| 3 | Muelle de Mordaza / Jaw Spring | 80.03.36 | 59004042 |
| 4 | Muelle Central / Main Spring | 80.03.35 | 59004055 |
| 4a | Muelle Central / Main Spring | 80.03.46 | 59011840 |
| 5 | Bulon Mordaza / Pivot Pin-Jaw | 90.12.41 | 59009155 |
| 6 | Bulon Cerrojo / Pivot Pin-Lockbar | 90.12.39 | 59004047 |
| 7 | Pasador / Split Pin | 80.04.12 | 08206221 |
| 8 | Arandela / Washer | 80.02.37 | 08206219 |
| 9 | Casquillo / Rubber Bush | 90.12.38 | 59007260 |
| 10 | Arandela / Washer | 80.02.42 | 08206220 |
| 11 | Bulon de Suspensión / Pivot Bolt | 90.12.42 | 59004111 |
| 12 | Tornillo M12x20 / Screw M12x20 Din 933 | 70.01.78 | 08206139 |
| 13 | Arandela Grower Ø 12 Din7980 / Washer Ø 12 | 80.02.41 | 08206192 |

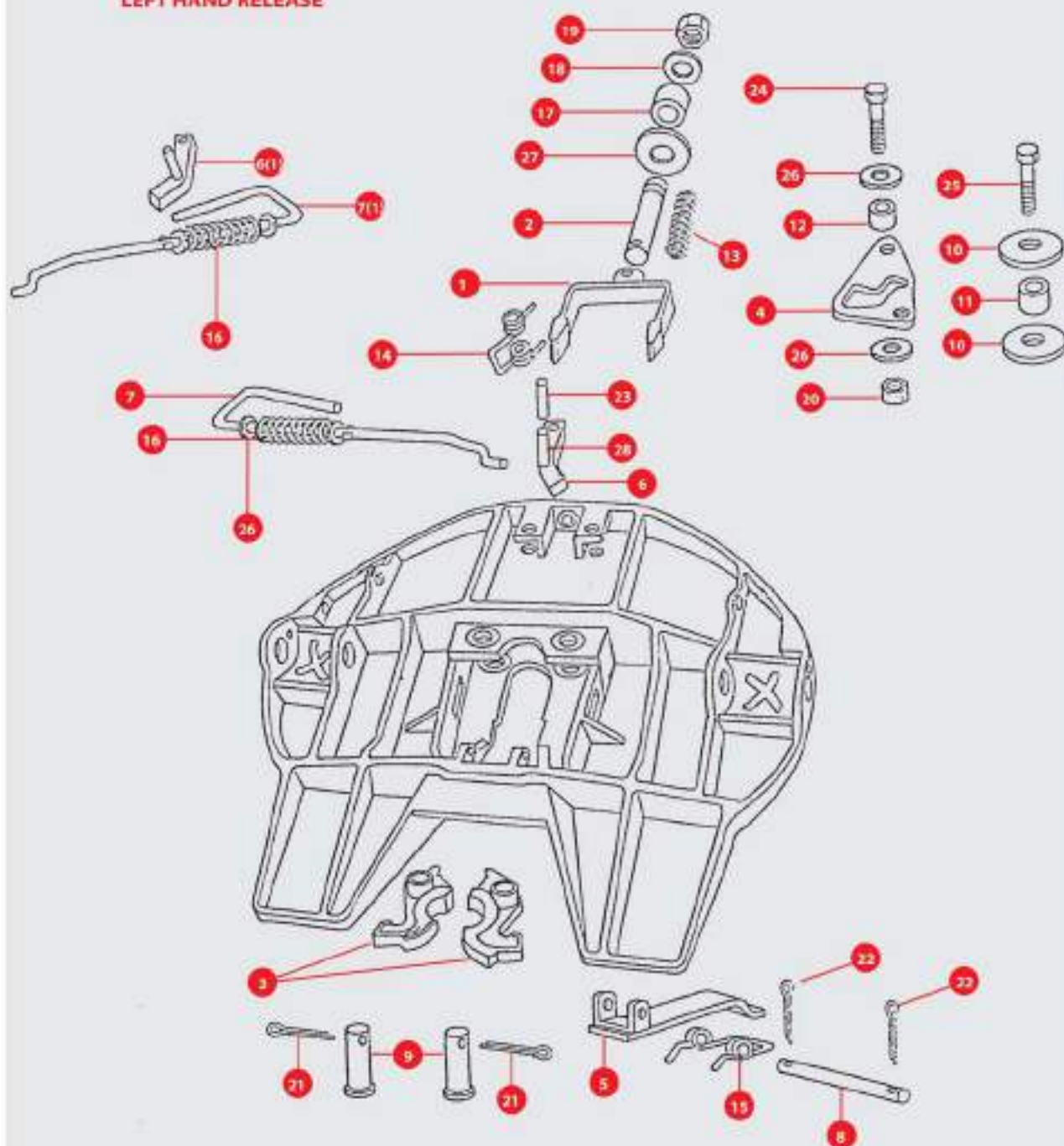


| N.º | Designación / Designation | Ref. Onyarbi | Ref. Original |
|-----|---|--------------|---------------|
| 1 | Mordaza / Jaw | 90.13.17.1 | 59015178 |
| 2 | Cerrojo / Lockbar | 90.13.18 | 59013520 |
| 3 | Muelle de Mordaza / Jaw Spring | 80.03.36 | 59004042 |
| 4 | Muelle Central / Main Spring | 80.03.49 | 59013526 |
| 5 | Bulon Mordaza-Cerrojo / Pivot Pin-Jaw Lockbar | 90.13.19 | 59013330 |
| 6 | Circlip Mordaza-Cerrojo / Spring Clip-Jaw Lockbar Pivot | 80.05.11 | 59013503 |
| 7 | Casquillo / Rubber Bush | 90.12.38 | 59007280 |
| 8 | Bulon de Suspensión / Pivot Bolt | 90.12.42 | 59004111 |
| 9 | Tomillo M12x20 / Screw M12x20 Din 933 | 70.01.78 | 08206139 |
| 10 | Arandela Grower Ø 12 Din7980 / Washer Ø 12 | 80.02.41 | 08206192 |
| 11 | Anillo de Desgaste | 90.13.79 | 59013740 |
| 12 | Tomillo DEV 7308 / Screw DIN 7308 | 70.01.90 | 8206159 |
| 13 | Arandela Grower Ø 12 Din8798 / Washer Ø 12 | 80.02.64 | 8206230 |

|  | Ref. Original | Ref. Onyarbi | Designación / Designation |
|---|---------------|--|---|
| | 590.04.381 | 90.12.31 | KIT REP. SILLETA (VBG, PROPAR) / FIFTH WHEEL JAW REP. KIT (VBG, PROPAR) |
| | 590.10.435 | 90.12.36 | Mordaza / Lock Jaw (1) |
| | 590.05.889 | 90.12.37 | Cerrojo / Lock Bar Assy (1) |
| | 590.04.042 | 80.03.36 | Muelle / Spring Jaw (1) |
| | 590.04.055 | 80.03.35 | Muelle / Main Spring (1) |
| | 590.07.260 | 90.12.38 | Casquillo / Rubber Bush (2) |
| | 590.09.155 | 90.12.41 | Tornillo / Pivot Pin-Jaw (1) |
| | 590.04.047 | 90.12.39 | Tornillo / Pivot Pin-Lock Bar (1) |
| | 082.06.219 | 90.12.40 | Tornillo / Bolt (1) |
| 082.06.220 | 80.02.37 | Arandela / Washer (2) | |
| 082.06.221 | 80.02.42 | Arandela / Washer (1) | |
| | 80.04.12 | Pasador Aleta / Split Pin (3) | |
|  | Ref. Original | Ref. Onyarbi | Designación / Designation |
| | 590.09.480 | 90.12.31.1 | KIT REP. SILLETA (VBG, PROPAR) / FIFTH WHEEL JAW REP. KIT (VBG, PROPAR) |
| | 590.10.435 | 90.12.36 | Mordaza / Lock Jaw (1) |
| | 590.05.889 | 90.12.37 | Cerrojo / Lock Bar Assy (1) |
| | 590.04.042 | 80.03.36 | Muelle de Mordaza / Jaw Spring (1) |
| | 590.11.840 | 80.03.46 | Muelle Central / Main Spring (2) |
| | | 90.12.90 | Casquillo / Rubber Bush (2) |
| | 590.09.155 | 90.12.41 | Bulon Mordaza / Pivot Pin-Jaw (1) |
| | 590.04.047 | 90.12.39 | Bulon Cerrojo / Pivot Pin-Lock Bar (1) |
| | 082.06.221 | 80.04.12 | Pasador Aleta / Split Pin (2) |
| 082.06.219 | 80.02.37 | Arandela / Washer (2) | |
|  | Ref. Original | Ref. Onyarbi | Designación / Designation |
| | 590.13.687 | 90.13.20 | KIT REP. SILLETA VBG / KIT FOR LOCKING (VBG) |
| | 590.151.78 | 90.13.17.1 | Mordaza / Lock Jaw (1) |
| | 590.13.320 | 90.13.18 | Cerrojo / Lock Bar (1) |
| | 590.04.042 | 80.03.36 | Muelle de Mordaza / Jaw Spring (1) |
| | 590.13.326 | 80.03.49 | Muelle Central / Main Spring (1) |
| | 590.13.330 | 90.13.19 | Bulon Mordaza-Cerrojo / Pivot Pin-Jaw & Lock Bar (2) |
| 590.13.393 | 80.05.11 | Circlip de Bulon para Mordaza-Cerrojo / Spring Clip for Jaw & Lock Bar Pivot (2) | |
|  | Ref. Original | Ref. Onyarbi | Designación / Designation |
| | 590.13.196 | 90.12.32 | KIT REPARACIÓN DE SUSPENSIÓN/ TRUNNION KIT |
| | 590.07.260 | 90.12.38 | Casquillo / Rubber Bush (2) |
| | 590.04.111 | 90.12.42 | Bulon de Suspensión / Pivot Bolt (2) |
| | 082.06.139 | 70.01.78 | Tornillo / Screw (4) |
| | | 80.02.40 | Arandela / Washer (4) |
| 082.06.192 | 80.02.41 | Arandela Grower / Washer (4) | |
|  | Ref. Original | Ref. Onyarbi | Designación / Designation |
| | 590.13.581 | 90.13.81 | KIT REPARACIÓN DE SILLETA/ KIT FOR LOCKING |
| | 820.61.59 | 70.01.90 | Tornillo / Screw (4) |
| | 820.62.30 | 80.02.64 | Arandela / Washer (4) |
| | 590.040.42 | 80.03.36 | Muelle 2X21 Din 6798 / Spring |
| | 590.133.26 | 80.03.49 | Muelle Central / Main Spring |
| | 590.133.93 | 80.05.11 | Circlip / Circlip |
| | 590.151.78 | 90.13.17.1 | Gancho de Cierre / Locking Jaw |
| | 590.133.20 | 90.13.18 | Cerrojo / Locking Bar |
| | 590.133.30 | 90.13.19 | Bulon Gancho y Cerrojo / Jaw and Locking Barbolt |
| 590.137.40 | 90.13.79 | Anillo de Desgaste / Wearing Ring | |

5.ª Rueda tipo: 3500-FW3500 Serie: XA.3501 - XA.3501 Series

APERTURA POR LA IZQUIERDA LEFT HAND RELEASE



5.ª Rueda tipo: 3500-FW3500 Serie: XA.3501 - XA.3501 Series

| N.º | Designación / Designation | Ref. Onyarbi | Ref. Original |
|------|--|--------------|------------------|
| 1 | Horquilla / Yoke Sub-assy | 90.12.65 | XA-1703-F |
| 2 | Eje de Horquilla / Yoke Shaft | 90.12.70 | XA-1706 |
| 3 | Mordaza (DCH) / Lock Jaw (R) | 90.12.66 | XA-1704 |
| 3a | Mordaza (IZD) / Lock Jaw (L) | 90.12.67 | XA-1704 |
| 4 | Chapa Posicional / Cam Plate | 90.12.71 | XA-1705 |
| 5 | Cerrojo / Lock Guard | 90.12.72 | XA-3514 |
| 6 | Leva con Pasador Elástico (DCH) / Secondary Lock, Right Hand | 90.12.68 | XA-3542-R |
| 6(1) | Leva con Pasador Elástico (IZD) / Secondary Lock, Left Hand | 90.12.68(1) | XA-3542-L |
| 7 | Tirador (Parte DCH) / Right Hand Release Handle | 90.12.69 | XA-1707(R) |
| 7(1) | Tirador (Parte IZD) / Left Hand Release Handle | 90.12.69(1) | XA-1707(L) |
| 8 | Varilla / Pin | 90.12.74 | XA-1055 |
| 9 | Eje de Mordaza / Lock Pin | 90.13.51 | XA07292T |
| 10 | Arandela / Washer | 90.12.78 | XB-1030-1 |
| 11 | Casquillo / Roller | 90.12.75 | XA-1507 |
| 12 | Casquillo / Roller | 90.12.76 | XA-1029 |
| 13 | Muelle del Eje de Horquilla / Spring | 80.03.41 | XB-1505 |
| 14 | Muelle Torsión Doble / Torsion Spring | 80.03.44 | XB-2149 |
| 15 | Muelle Torsión Doble / Torsion Spring | 80.03.43 | XB-1044 |
| 16 | Muelle de la Varilla / Spring | 80.03.42 | |
| 17 | Arandela de Caucho / Rubber Washer | 90.12.77 | XB-1127 |
| 18 | Arandela / Washer (1 1/2" O.D x 13/16" ID) | 80.02.52 | XB-PW-1316-112 |
| 19 | Tuerca Autoblocante / Locknut 3/4"-16 | 80.01.38 | XB-HNH-34-F |
| 20 | Tuerca Autoblocante / Locknut 1/2"-20 | 80.01.39 | XB-T-69-A |
| 21 | Pasador / Cotter Pin 1/4"x2" | 80.04.21 | XB-5 |
| 22 | Pasador / Cotter Pin 1/8"x1" | 80.04.22 | XB-16 |
| 23 | Pasador Tubular / Roll Pin | 80.04.19 | XB-21-5-500-2750 |
| 24 | Tornillo C/ Hexagonal / Bolt 1/2"-10x1 3/4" | 70.01.83 | XB-2083 |
| 25 | Tornillo C/ Hexagonal / Bolt 5/8"-18x1 3/4" | 70.01.82 | XB-CX-58-F-134 |
| 26 | Arandela / Washer (1 3/4" O.D x 9/16" ID) | 80.02.53 | XB-T-49 |
| 27 | Arandela de Aluminio / Lock Adjustment Tag | 90.12.79 | XB-02312 |
| 28 | Pasador Elástico / Elastic Roll | 80.04.23 | |



| Ref. Original | Ref. Onyarbi | Designación / Designation |
|---------------|--------------|---------------------------------------|
| RK05329 | 90.12.93 | KIT PROTECCIÓN / LOCK GUARD KIT |
| XA-3514 | 90.12.72 | Cerrojo / Lock Guard |
| XB-1044 | 80.03.43 | Muelle Doble Torsión / Torsion Spring |
| XB-16 | 80.04.22 | Pasador / Cotter Pin |
| XA-1055 | 90.12.74 | Varilla / Pin |



| Ref. Original | Ref. Onyarbi | Designación / Designation |
|------------------|--------------|--|
| RR63500 | 90.12.04 | KIT R. COMPLETO APERTURA DCHA. / RIGHT HAND RELEASE REBUILD KIT |
| XA-1703-F | 90.12.65 | Horquilla / Yoke Sub-assy (1) |
| XA-1706 | 90.12.70 | Eje de Horquilla / Yoke Shaft (1) |
| XA-1704 | 90.12.66 | Mordaza (Dcha) / Lock Jaw (R) (1) |
| XA-1704 | 90.12.67 | Mordaza (Izd.) / Lock Jaw (L) (1) |
| XA-1705 | 90.12.71 | Chapa Posicional / Corn Plate (1) |
| XA-3514 | 90.12.72 | Cerrojo / Lock Guard |
| XA-3542 (R) | 90.12.68 | Leva con Pasador Elástico (Dcha) / Secondary Lock Right Hand (1) |
| XA-1707 (R) | 90.12.69 | Tirador (parte dcha) / Right Hand Release Handle (1) |
| XA-1055 | 90.12.74 | Varilla / Pin (1) |
| XA-07292T | 90.12.73 | Eje de Mordaza / Lock Pin (2) |
| XB-1030-1 | 90.12.78 | Arandela / Washer (2) |
| XA-1507 | 90.12.75 | Casquillo / Roller (1) |
| XA-1029 | 90.12.76 | Casquillo / Roller (1) |
| XB-1127 | 90.12.77 | Arandela de Caucho / Rubber Washer (1) |
| XB-02312 | 90.12.79 | Arandela de Aluminio / Lock Adjustment Tag (1) |
| XB-1505 | 80.03.41 | Muelle del Eje de Horquilla / Spring (1) |
| XB-1044 | 80.03.43 | Muelle Torsión doble / Torsion Spring (1) |
| XB-2149 | 80.03.44 | Muelle Torsión doble / Torsion Spring (1) |
| | 80.03.42 | Muelle de Varilla / Spring (1) |
| XB-PW-1316-112 | 80.02.52 | Arandela / Washer (1/2" O.D X 13/16" I.D) (1) |
| XB-HNH-34-F | 80.01.38 | Tuerca Autoblocante / Lock Nut 3/4"-16 (1) |
| XB-T-69-A | 80.01.39 | Tuerca Autoblocante / Lock Nut 1/2"-20 (1) |
| XB-10 | 80.04.22 | Pasador Aleta / Cotter Pin 1/8" x 1" (2) |
| XB-5 | 80.04.21 | Pasador / Cotter Pin 1/4" x 2" (2) |
| XB-21-S-500-2750 | 80.04.19 | Pasador Tubular / Roll Pin (1) |
| XB-2083 | 70.01.83 | Tornillo c/ Hexagonal / Bolt 1/2"-10 x 1 3/4" (1) |
| XB-CX-58-F-134 | 70.01.82 | Tornillo c/ Hexagonal / Bolt 5/8"-18 x 1 3/4" (1) |
| XB-T-49 | 80.02.53 | Arandela / Washer (1 3/4" O.D X 9/16" I.D) (3) |

RR63501 90.12.64.1 KIT R. COMPLETO APERTURA IZD. / LEFT HAND RELEASE REBUILD KIT

TODO IGUAL QUE LA REF. RR63500 (90.12.04), SALVO
ALL THE ITEMS ARE THE SAME THAN THE REF. RR63500 (90.12.04), EXCEPT FOR

| | | |
|-------------|------------|---|
| XA-3542 (L) | 90.12.68.1 | Leva con Pasador Elástico (Izd.) / Secondary Lock Left Hand (1) |
| XA-1707 (L) | 90.12.69.1 | Tirador (parte Izd.) / Left Hand Release Handle (1) |

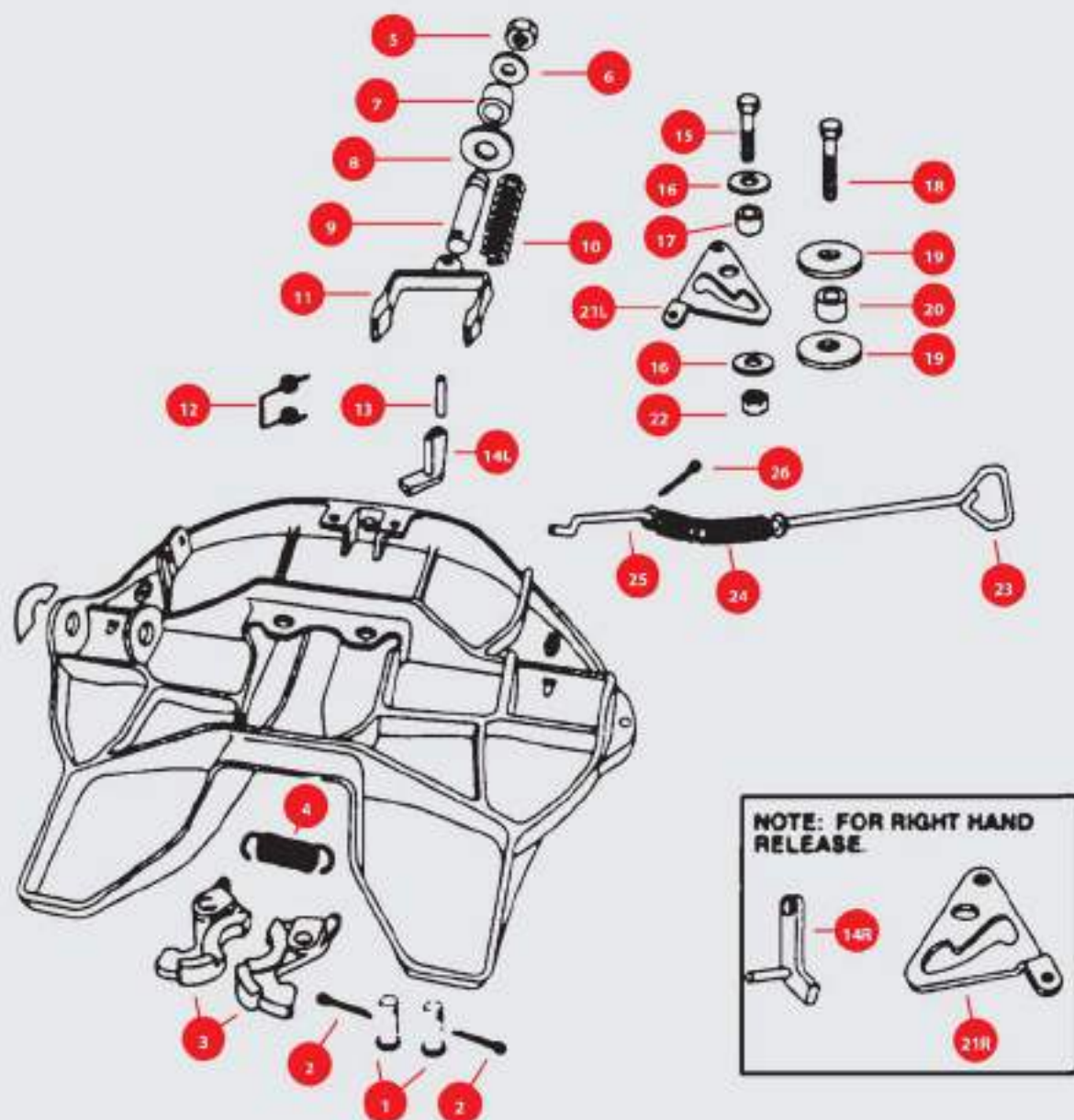


| Ref. Original | Ref. Onyarbi | Designación / Designation |
|---------------|--------------|--|
| RR63503 | 90.12.94 | KIT REP. MORDAZAS / JAW KIT |
| XA-1704 | 90.12.66 | Mordaza (Dcha) / Lock Jaw (R) (1) |
| XA-1704 | 90.12.67 | Mordaza (Izd.) / Lock Jaw (L) (1) |
| XA-07292T | 90.12.73 | Eje de Mordaza / Lock Pin (2) |
| XB-5 | 80.04.21 | Pasador Aleta / Cotter Pin 1/4" x 2" (2) |



| Ref. Original | Ref. Onyarbi | Designación / Designation |
|----------------|--------------|---|
| RR63503A | 90.12.95 | KIT REDUCIDO / MINOR REBUILD KIT |
| XA-1704 | 90.12.66 | Mordaza (Dcha) / Lock Jaw (R) (1) |
| XA-1704 | 90.12.67 | Mordaza (Izd.) / Lock Jaw (L) (1) |
| XA-07292T | 90.12.73 | Eje de Mordaza / Lock Pin (2) |
| XB-5 | 80.04.21 | Pasador Aleta / Cotter Pin 1/4" x 2" (2) |
| XB-CX-58-F-134 | 70.01.82 | Tornillo c/ Hexagonal / Bolt 5/8"-18 x 1 3/4" (1) |
| XA-1703-F | 90.12.65 | Horquilla / Yoke Sub-assy (1) |

5.ª Rueda tipo: FW35 Serie: XA.351-A-L



| N.º | Designación / Designation | Ref. Onyarbi | Ref. Original |
|-----|---|--------------|---------------|
| 1 | Eje Mordaza / Jaw Pin | 90.13.51 | XA07292T |
| 2 | Pasador Aleta 6x50 / Drive Pin | 80.04.21 | XB5 |
| 3 | Mordaza Dcha. / Lock Jaw Rh. | 90.13.52 | XA07296 |
| 3 | Mordaza Izda. / Lock Jaw Lh. | 90.13.53 | XA07296 |
| 4 | Muelle de Extensión / Extension Spring | 80.03.54 | XB07628 |
| 5 | Tuerca Hexagonal 1/2"-13 / Lock Nut | 80.01.38 | |
| 6 | Arandela 1/2" x 13/16" / Washer | 80.02.52 | XBPW1316112 |
| 7 | Arandela Goma 37,9x20,5x9,3 / Rubber Washer | 90.12.77 | XB1127 |
| 8 | Arandela Aluminio DIA 52,5X19,8X0,5 / Washer | 90.12.79 | XB02312 |
| 9 | Eje de Horquilla / Yoke Axle | 90.12.70 | XA1706 |
| 10 | Muelle 4,7 / Spring | 80.03.41 | XB1505 |
| 11 | Horquilla / Yoke | 90.13.54 | XA07295 |
| 12 | Muelle M. Tor. Doble Peq. / Spring | 80.03.44 | XB2149 |
| 13 | Pasador Tubular 12x70 Din 1481 / Retaining Pin | 80.04.19 | XB21S5002750 |
| 14L | Leva con Pasador Elástico Izda. / Cam with Elastic Pin | 90.12.68.1 | XA3542L |
| 14R | Leva con Pasador Elástico Drcha. / Cam with Elastic Pin | 90.12.68 | XA3542R |
| 15 | Tornillo c/Hexagonal 1/2" 20h x 1 3/4" Cincado / Hex Head Cap Screw | 70.01.85 | XB2083 |
| 16 | Arandela Plana 36x15,2x2,5 Cincada / Washer | 80.02.59 | |
| 17 | Casquillo 13x25,5 / Sleeve | 90.12.76 | XA1029 |
| 18 | Tornillo c/Hexagonal 5/8" 1-3/4" H-88 Din 931 / Hex Head Cap Screw | 70.01.82 | XBCX58F134 |
| 19 | Arandela Plana Cincada 57x16x4 / Washer | 90.12.78 | |
| 20 | Casquillo 16,5x25,5 / Sleeve | 90.12.75 | XA1507 |
| 21L | Chapa Posicionadora Izda. / Cam Plate | 90.13.55 | XA07150L |
| 21R | Chapa Posicionadora Drcha. / Cam Plate | 90.13.56 | XA07150R |
| 22 | Tuerca Din 985-8 1/2" UNC 20h / Nut | 80.01.39 | XBT69A |
| 23 | Tirador Universal / Release Handle | 90.13.57 | XA071511 |
| 24 | Muelle de Compresión / Compression Spring | 80.03.53 | XB07291 |
| 25 | Arandela M-12 Din 125 / Washer | 80.02.62 | XBPW17321116 |
| 26 | Pasador Aleta E1/8" x 1"3/8" / Driver Pin | 80.04.27 | XB07508 |



| Ref. Original | Ref. Onyarbi | Designación / Designation |
|---------------|--------------|---|
| RK351A02R | 90.13.06 | KIT REP. HOLLAND RK-351-A-02-R / HOLLAND REBUILT KIT RH |
| XB1505 | 80.03.41 | Muelle 4.7 / Spring |
| XB2149 | 80.03.44 | Muelle M. Tor. Doble Peq. / Spring |
| XB07291 | 80.03.53 | Muelle de Compresión / Compression Spring |
| XB07628 | 80.03.54 | Muelle de Extensión / Extension Spring |
| XA07295 | 90.13.54 | Horquilla / Yoke |
| XA3542R | 90.12.68 | Leva con Pasador Elástico Dreh. / Cam With Elastic Pin |
| XA1706 | 90.12.70 | Eje de Horquilla / Yoke Axle |
| XA-1507 | 90.12.75 | Casquillo / Sleeve |
| XA-1029 | 90.12.76 | Casquillo / Sleeve |
| XB-1127 | 90.12.77 | Arandela de Caucho / Rubber Washer (1) |
| | 90.12.78 | Arandela Plana / Washer (1) |
| XB02312 | 90.12.79 | Arandela de Aluminio / Washer |
| | 90.12.80 | Kit Varios / Kit |
| XA07292T | 90.13.51 | Eje de Mordaza / Jaw Pin (2) |
| XA07296 | 90.13.52 | Mordaza (Dcha.) / Lock Jaw (Rh) (1) |
| XA07296 | 90.13.53 | Mordaza (Izd.) / Lock Jaw (Lh) (1) |
| XA07150R | 90.13.56 | Chapa Posicional (Dcha.) / Cam Plate (Rh) |
| XA071511 | 90.13.57 | Tirador Universal / Release Handle (1) |

| | | |
|-----------|------------|---|
| RK351A02R | 90.13.06.1 | KIT REP. HOLLAND RK-351-A-02-R / HOLLAND REBUILT KIT LH |
| XB1505 | 80.03.41 | Muelle 4.7 / Spring |
| XB2149 | 80.03.44 | Muelle M. Tor. Doble Peq. / Spring |
| XB07291 | 80.03.53 | Muelle de Compresión / Compression Spring |
| XB07628 | 80.03.54 | Muelle de Extensión / Extension Spring |
| XA07295 | 90.13.54 | Horquilla / Yoke |
| XA3542L | 90.12.68.1 | Leva con Pasador Elástico Izda. / Cam With Elastic Pin |
| XA1706 | 90.12.70 | Eje de Horquilla / Yoke Axle |
| XA-1507 | 90.12.75 | Casquillo / Sleeve |
| XA-1029 | 90.12.76 | Casquillo / Sleeve |
| XB-1127 | 90.12.77 | Arandela de Caucho / Rubber Washer (1) |
| | 90.12.78 | Arandela Plana / Washer (1) |
| XB02312 | 90.12.79 | Arandela de Aluminio / Washer |
| | 90.12.80 | Kit Varios / Kit |
| XA07292T | 90.13.51 | Eje de Mordaza / Jaw Pin (2) |
| XA07296 | 90.13.52 | Mordaza (Dcha.) / Lock Jaw (Rh) (1) |
| XA07296 | 90.13.53 | Mordaza (Izd.) / Lock Jaw (Lh) (1) |
| XA07150L | 90.13.55 | Chapa Posicional (Izd.) / Cam Plate (Lh) |
| XA071511 | 90.13.57 | Tirador Universal / Release Handle (1) |



| Ref. Original | Ref. Onyarbi | Designación / Designation |
|---------------|--------------|--|
| 351.072.96 | 90.13.67 | KIT REDUCIDO / HOLLAND MINOR REBUILT KIT |
| XBCX58F134 | 70.01.82 | Tornillo C/ Hexagonal 5/8" / Hex. Head Cap Screw |
| XB5 | 80.04.21 | Pasador Aleta / Drive Pin 1/4" x 2" (2) |
| XA07295 | 90.13.54 | Horquilla / Yoke |
| XA07292T | 90.13.51 | Eje de Mordaza / Jaw Pin (2) |
| XA07296 | 90.13.52 | Mordaza (Dcha.) / Lock Jaw (Rh) |
| XA07296 | 90.13.53 | Mordaza (Izd.) / Lock Jaw (Lh) |



| Ref. Original | Ref. Onyarbi | Designación / Designation |
|---------------|--------------|---------------------------------|
| | 90.13.71 | KIT REP. MORDAZAS HOLLAND |
| XB5 | 80.04.21 | Pasador Aleta / Drive Pin |
| XA07292T | 90.13.51 | Eje de Mordaza / Jaw Pin (2) |
| XA07296 | 90.13.52 | Mordaza (Dcha.) / Lock Jaw (Rh) |
| XA07296 | 90.13.53 | Mordaza (Izd.) / Lock Jaw (Lh) |

Elementos y kits de reparación de Quinta Rueda - Pivotes

Spares and repair kits for the Fifth Wheels - Kingpin

Los King Pins han sido homologados según las normas:

DIR 94/20 EC. Clase: H-50-X.

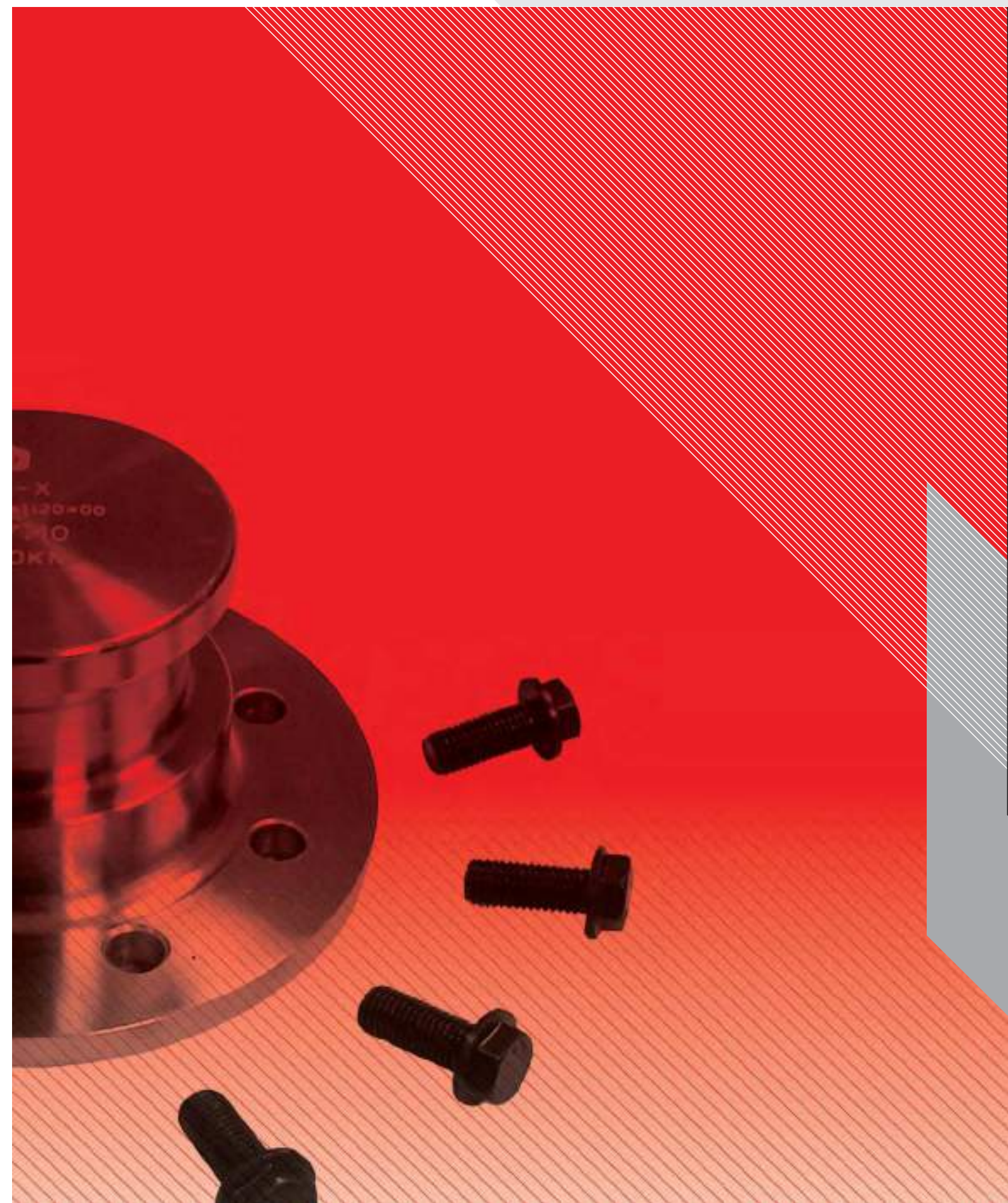
Siendo la contraseña de Homologación:

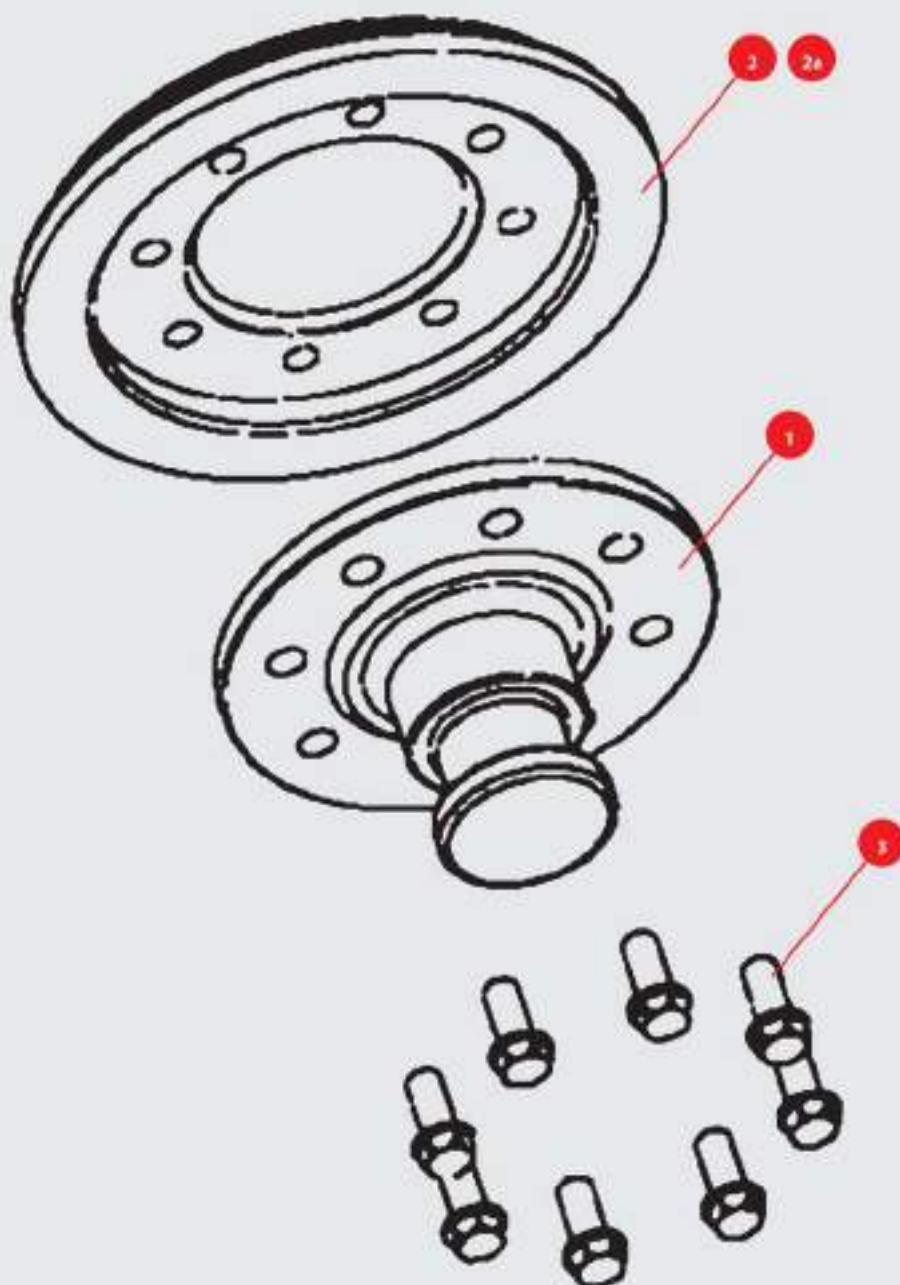
| | |
|-------------------------|------------|
| e 9*94/20*94/20*1028*01 | (D=180 kN) |
| e 9*94/20*94/20*1025*01 | (D=180 kN) |
| e 9*94/20*94/20*1120*00 | (D=200 kN) |



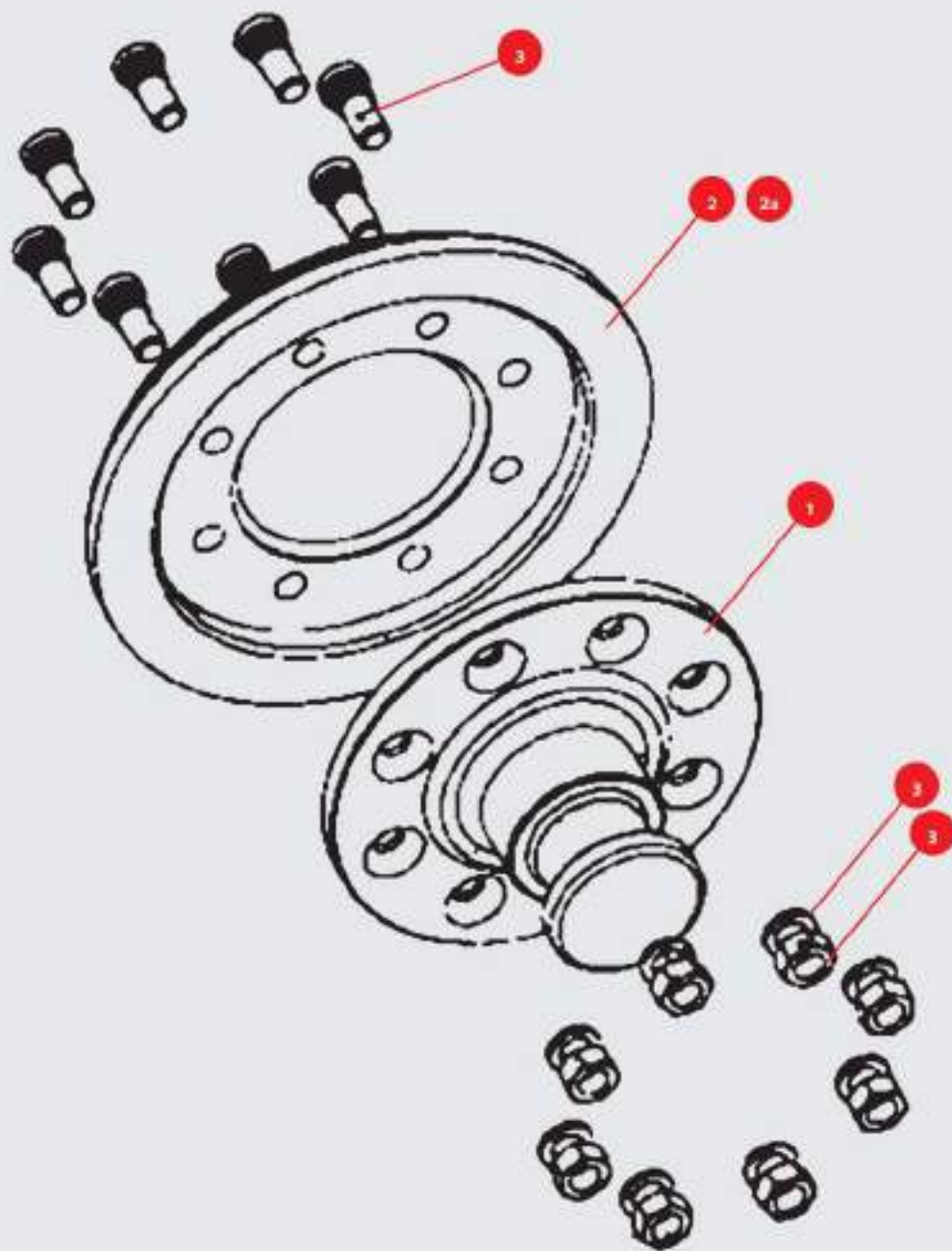
PIVOTES DE ENGANCHE

KING PINS (2") - (3¹/₂")

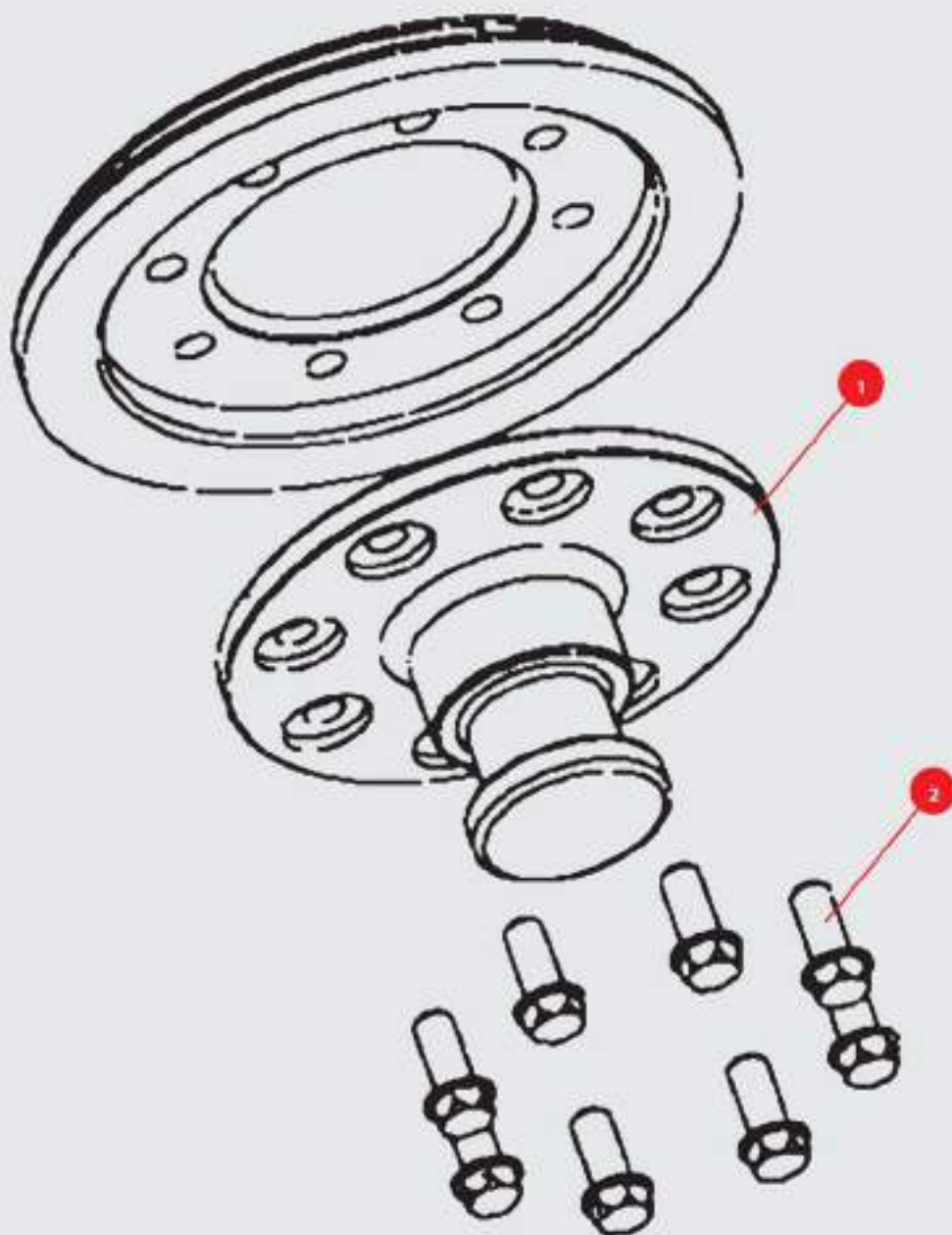




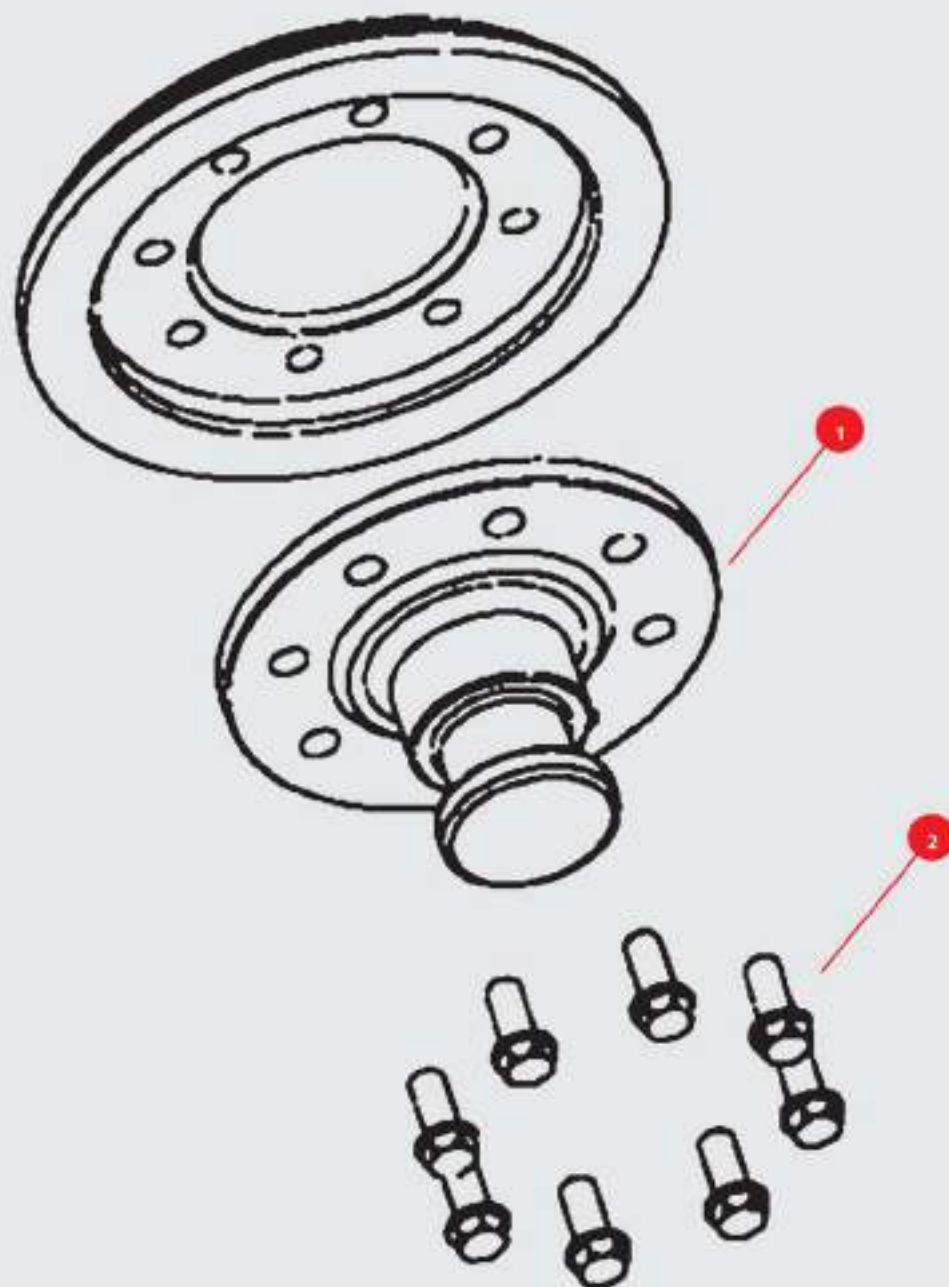
| N.º | Designación / Designation | Ref. Onyarbi | Ref. Original |
|-----|---|--------------|---------------|
| 1 | King Pin Agujero Simple / King Pin With 8 Bolt-on-hole | 90.27.04 | KZ101201 |
| 2 | Tapa King Pin 280x10 / Back Plate for Rubbing Plate: 10 mm. | 90.17.28 | |
| 2a | Tapa King Pin 280x8 / Back Plate for Rubbing Plate: 8 mm. | 90.17.27 | |
| 3 | Tomillo M14x35 / Screw M14x35 | 90.17.24 | KZ101203 |



| N.º | Designación / Designation | Ref. Onyarbi | Ref. Original |
|-----|---|--------------|---------------|
| 1 | Eje Plato 8 Agujero Cónico / King Pin With 8 Counter-drilled Hole | 90.27.05 | KZ091201 |
| 2 | Tapa King Pin 280x10 / Back Plate for Rubbing Plate: 10 mm. | 90.17.26 | |
| 2a | Tapa King Pin 280x8 / Back Plate for Rubbing Plate: 8 mm. | 90.17.27 | |
| 3 | Kit (Tornillo+Arandela+Tuerca) / Screw Kit (Screw+washer+Nut) | 90.17.25 | |



| N.º | Designación / Designation | Ref. Onyarbi | Ref. Original |
|-----|---|--------------|---------------|
| 1 | Eje Plato 8 Agujeros / King Pin With 8 Countersunk Hole | 90.17.08 | KZ190701 |
| 2 | Tornillo M14x35 / Screw | 90.17.24 | KZ101203 |



| N.º | Designación / Designation | Ref. Oryarbi | Ref. Original |
|-----|--|--------------|---------------|
| 1 | King Pin Agujero Simple / King Pin With 8 Bolt-on-hole | 90.37.10 | KZ141201 |
| 2 | Tornillo M14x35 / Screw M14x35 | 90.17.24 | KZ101203 |



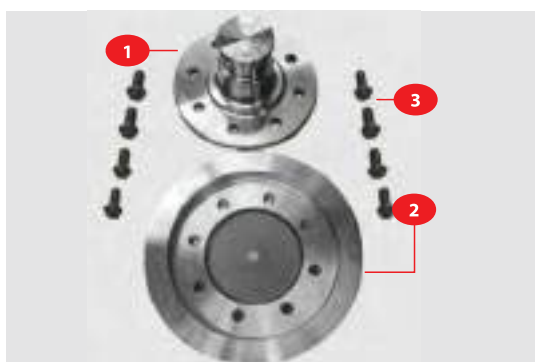
| Pos. N.º | Ref. Original | Ref. Onyarbi | Designación / Designation |
|----------|---------------|--------------|---|
| 1 | KZ1012-01 | 90.27.04 | PIVOTES DE ENGANCHE (2") DE PLATO / KING PINS (2" PLATE) Pivote de 8 agujeros simples / King Pin with 8 bolt-on-hole |
| 2a | KZ1008-02 | 90.17.27 | Tapa Pivote exp. 8 mm. / Back Plate for Rubbing Plate: 8 mm. |
| 2b | KZ1010-02 | 90.17.26 | Tapa Pivote exp. 10 mm. / Back Plate for Rubbing Plate: 10 mm. |
| 3 | KZE-1012-03 | 90.17.24 | Tornillo C/ Hexagonal M14x30 / Hex. Screws M14x30 |



| Pos. N.º | Ref. Original | Ref. Onyarbi | Designación / Designation |
|----------|---------------|--------------|---|
| 1 | KZ0912-01 | 90.27.05 | PIVOTES DE ENGANCHE (2") DE PLATO / KING PINS (2" PLATE) Pivote de 8 agujeros Cónicos / King Pin with 8 Counter-Drilled hole |
| 2 | KZ0912-03 | 90.17.25 | Tornillo / Knurled Bolt |
| 3 | KZ0912-05 | 90.17.25 | Arandela / Spring Washer |
| 4 | KZ0912-06 | 90.17.25 | Tuerca / Flat Collar Nut |



| Pos. N.º | Ref. Original | Ref. Onyarbi | Designación / Designation |
|----------|---------------|--------------|--|
| 1 | KZ1907-01 | 90.17.06 | PIVOTES DE ENGANCHE (2") DE PLATO / KING PINS (2" PLATE) Pivote de 8 agujeros con cajera / King Pin with 8 Countersunk hole |
| 2 | KZE1012-03 | 90.17.24 | Tornillo C/ Hexagonal M14x30 / Hex. Screws M14x30 |



| Pos. N.º | Ref. Original | Ref. Onyarbi | Designación / Designation |
|----------|---------------|--------------|---|
| | KZ-1008 | 90.27.07 | KIT DE KING PIN / KING PIN KIT |
| 1 | KZ101201 | 90.27.04 | King Pin Agujero Simple / King Pin With 8 Bolt-on-hole |
| 2 | KZ-1008-02 | 90.17.27 | Tapa King Pin 280x8 / Back Plate for Rubbing Plate: 8 mm. |
| 3 | KZ101203 | 90.17.24 | Tornillo M14x35 / Screw M14x35 |

| Pos. N.º | Ref. Original | Ref. Onyarbi | Designación / Designation |
|----------|------------------------|----------------------|--|
| 1 | KZ1112-01 | 90.17.09 | PIVOTES DE ENGANCHE (2") CÓNICOS / KING PINS (2") CONIC Pivote Cónico / King Pin |
| 2 | KZ1112-04 | 90.17.10 | Tuerca Almenada / Nut |
| 3 | KZ1112-03 | 80.02.18 | Arandela / Washer |
| 4 | KZ1112-05 KZ1112-06 | 80.04.01 90.17.03 | Pasador Aleta / Pin Pivote Cónico Jost-Trailor completo / Conic K. Pin Jost-Trailor Assembly |

| Pos. N.º | Ref. Original | Ref. Onyarbi | Designación / Designation |
|----------|---------------|--------------|---|
| 1 | | 90.17.07 | PIVOTES DE ENGANCHE (2") CÓNICOS / KING PINS (2") CONIC Pivote Cónico / King Pin |
| 2 | | 90.17.10 | Tuerca Almenada / Nut |
| 3 | | 80.04.01 | Pasador Aleta / Pin |
| | 91620/01262 | 90.17.01 | Pivote Cónico Fruehauf completo / Conic K. Pin Fruehauf Assembly |

| Pos. N.º | Ref. Original | Ref. Onyarbi | Designación / Designation |
|----------|---------------|--------------|---|
| 1 | | 90.17.08 | PIVOTES DE ENGANCHE (2") CÓNICOS / KING PINS (2") CONIC Pivote Cónico / King Pin |
| 2 | | 90.17.10.1 | Tuerca Almenada / Nut |
| 3 | | 80.02.18 | Arandela / Washer |
| 4 | | 80.04.01 | Pasador Aleta / Pin |
| | RP0152 | 90.17.02 | Pivote Cónico Kaiser completo / Conic K. Pin Kaiser Assembly |

| Pos. N.º | Ref. Original | Ref. Onyarbi | Designación / Designation |
|----------|---------------|--------------|---|
| 1 | | 90.17.11 | PIVOTES DE ENGANCHE (2") CÓNICOS / KING PINS (2") CONIC Pivote Cónico / King Pin |
| 2 | | 90.17.19 | Tuerca Almenada / Nut |
| 3 | | 80.02.19 | Arandela / Washer |
| 4 | | 80.04.03 | Pasador Aleta / Pin |
| | 226.115 | 90.17.12 | Pivote Cónico Titán completo / Conic K. Pin Titán Assembly |

| Pos. N.º | Ref. Original | Ref. Onyarbi | Designación / Designation |
|----------|---------------|--------------|---|
| 1 | | 90.17.15 | PIVOTES DE ENGANCHE (2") CÓNICOS / KING PINS (2") CONIC Pivote Cónico / King Pin |
| 2 | | 90.17.17 | Tuerca del Pivote / Nut |
| 3 | | 80.02.24 | Arandela / Washer |
| | 310036 | 90.17.13 | Pivote Cónico Leciñena completo / Conic K. Pin Leciñena Assembly |



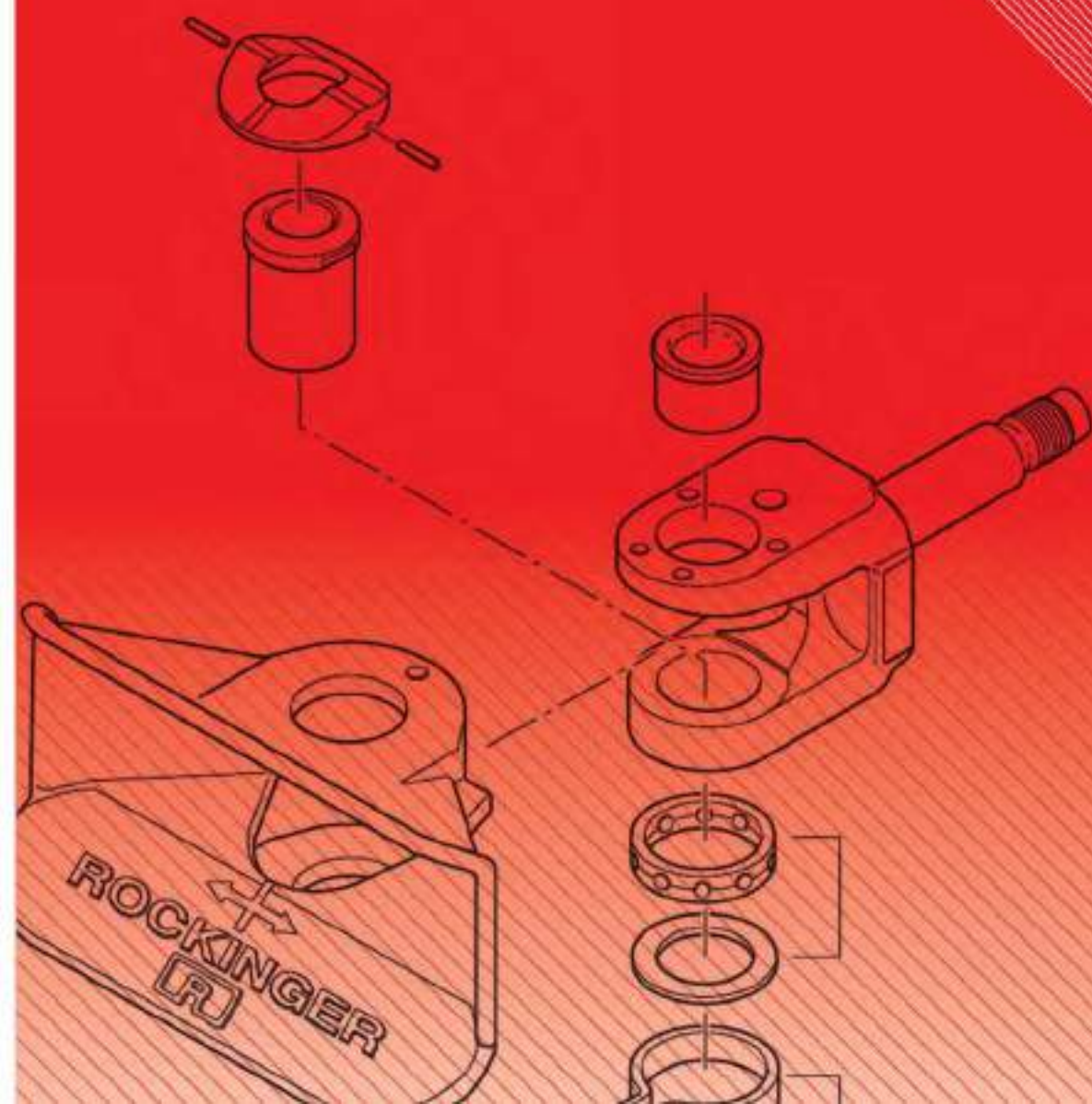
| Pos. N.º | Ref. Original | Ref. Onyarbi | Designación / Designation |
|----------|---------------|--------------|---|
| 1 | | 90.17.21 | PIVOTES DE ENGANCHE (2") CÓNICOS / KING PINS (2") CONIC Pivote Cónico / King Pin |
| 2 | | 80.01.29 | Tuerca Almenada / Nut |
| 3 | | 80.04.01 | Pasador Aleta / Pin |
| | | 90.17.23 | Pivote Cónico DAF completo / Conic K. Pin DAF Assembly |



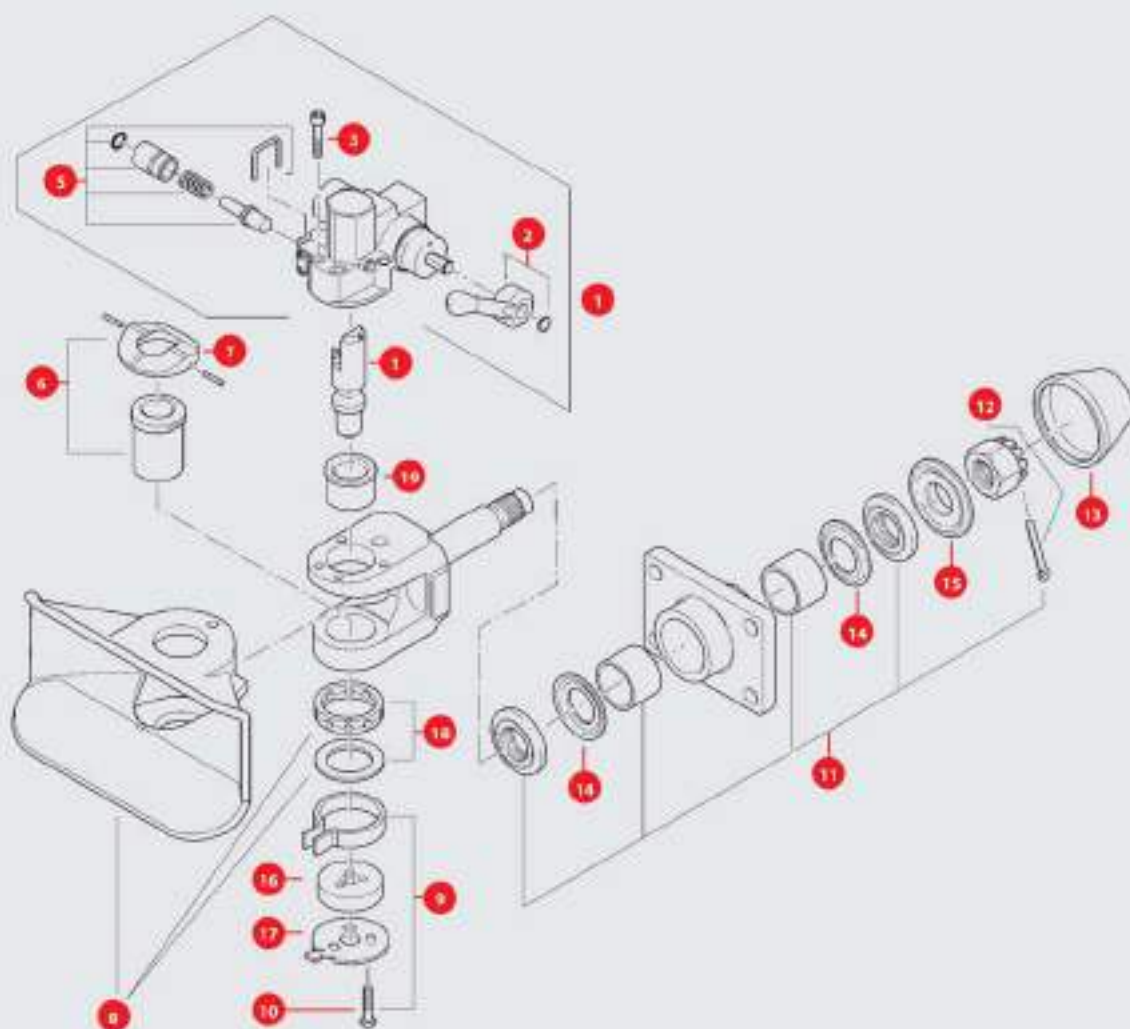
| Pos. N.º | Ref. Original | Ref. Onyarbi | Designación / Designation |
|----------|---------------|--------------|---|
| 1 | | 90.17.20 | PIVOTES DE ENGANCHE (2") CÓNICOS / KING PINS (2") CONIC Pivote Cónico / King Pin |
| 2 | | 90.17.10 | Tuerca Almenada / Nut |
| 3 | | 80.02.18 | Arandela / Washer |
| 4 | | 80.04.01 | Pasador Aleta / Pin |
| | 99111206 | 90.17.22 | Pivote Cónico ILASA completo / Conic K. Pin ILASA Assembly |



| Pos. N.º | Ref. Original | Ref. Onyarbi | Designación / Designation |
|----------|---------------|--------------|--|
| 1 | KZ141201 | 90.37.10 | PIVOTES DE ENGANCHE (3 1/2") DE PLATO / KING PINS (3 1/2" PLATE) Pivote de 8 agujeros simples / King Pin with 8 bolt-on-hole |
| 2 | KZE-1012-03 | 90.17.24 | Tornillo C/ Hexagonal M14x35 / Hex. Screws M14x35 |

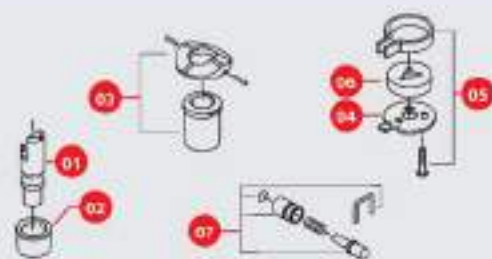


Type: RO*400
Piezas de recambio / Spare parts



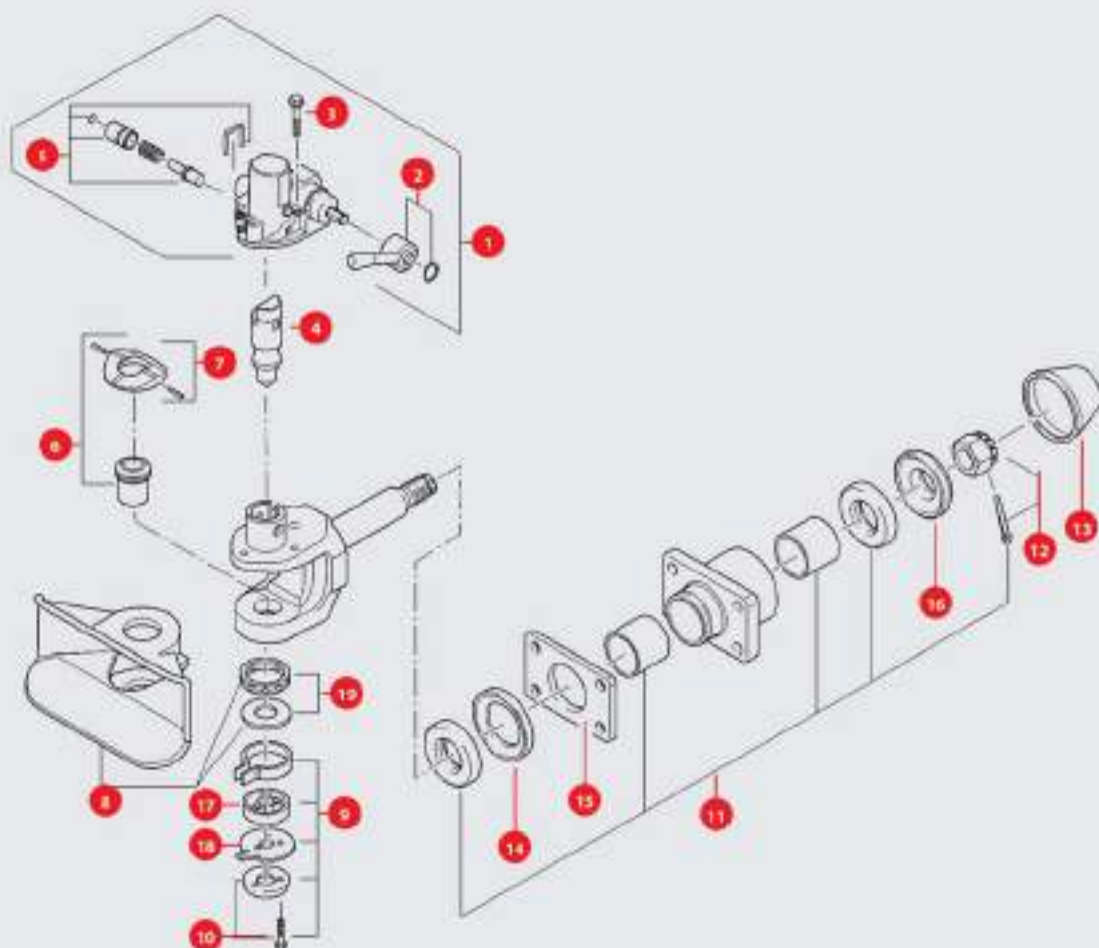
KIT ROE 71124 / 90.32.37

Repair kit from ranges 400, 430, 460



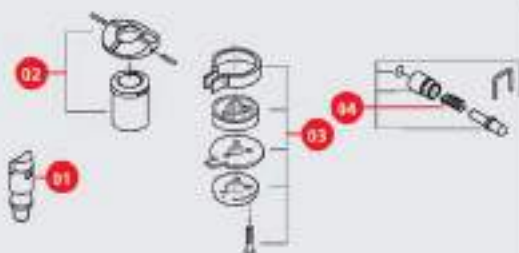
| Kit | Order Nº | Designation | Quantity per A/RK |
|-----|-----------|---|-------------------|
| 01 | ROE 47099 | Coupling pin | 1 |
| 02 | ROE 53520 | Upper bush | 1 |
| 03 | ROE 53519 | Lower bushing with a brass bearing ring | 1 |
| 04 | ROE 63626 | Base plate | 1 |
| 05 | ROE 55256 | Omega spring with screws | 1 |
| 06 | ROE 53487 | Guide bush | 1 |
| 07 | ROE 70925 | Safety system | 1 |

Type: RO*500
Piezas de recambio / Spare parts



KIT ROE 71125 / 90.32.38

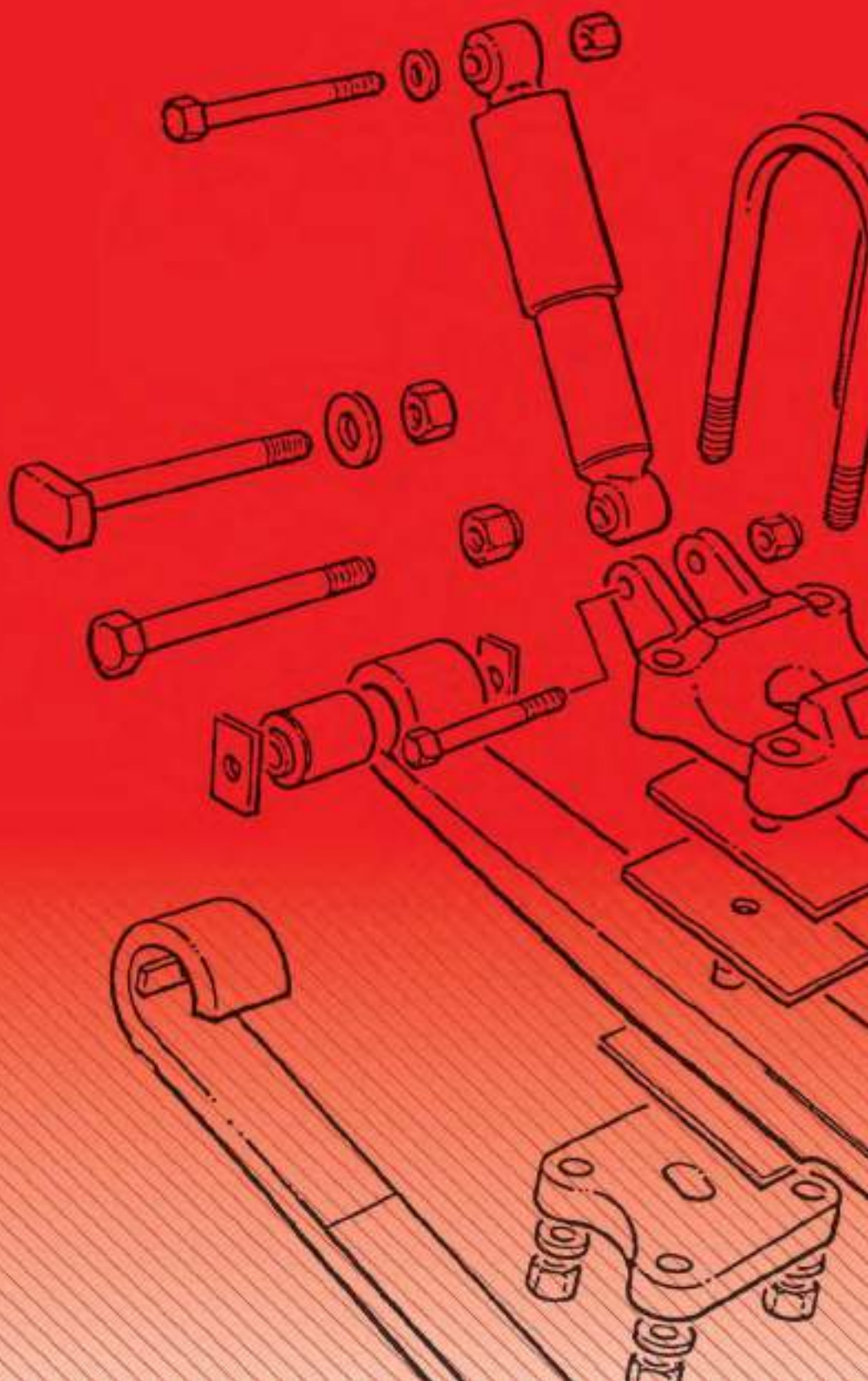
Repair kit from ranges 500, 530, 560

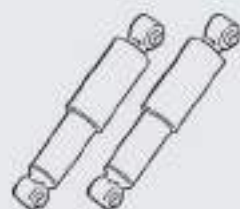


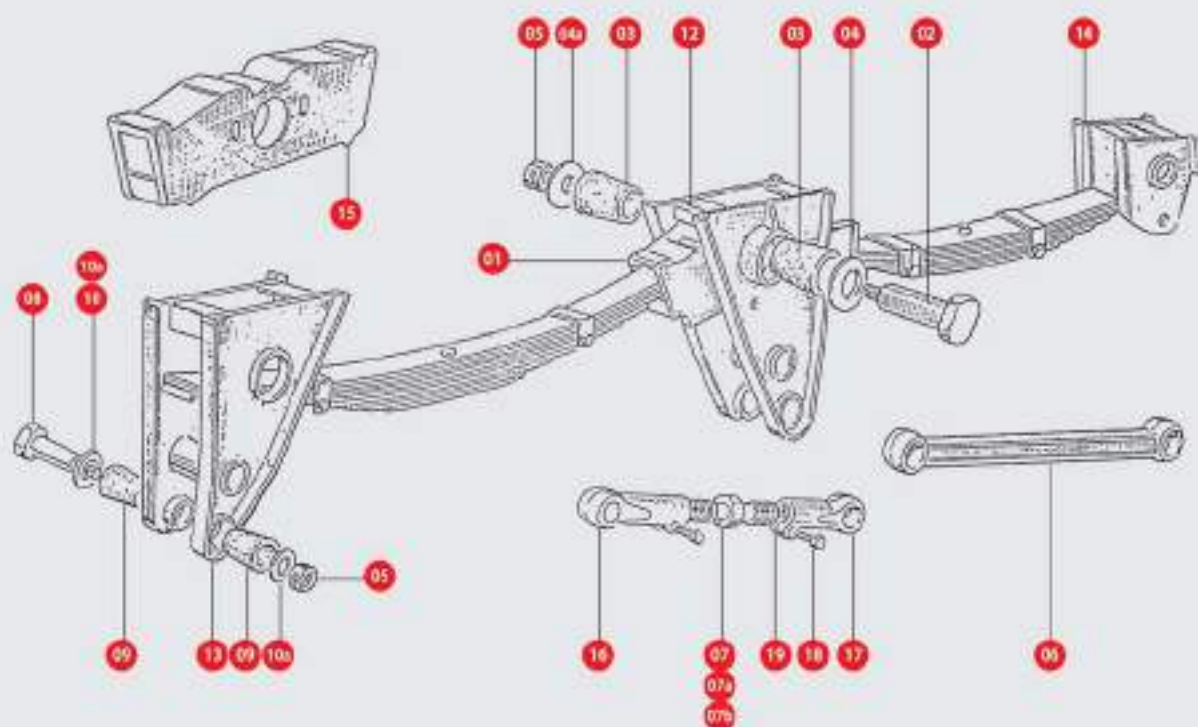
| Kit | Order Nº | Designation | Quantity per AHR |
|-----|-----------|---|------------------|
| 01 | ROE 47081 | Coupling pin | 1 |
| 02 | ROE 53490 | Lower bushing withw bearing ring (bronze) | 1 |
| 03 | ROE 63693 | Base plate set | 1 |
| 04 | ROE 70925 | Safety system | 1 |

Elementos y kits de reparación de Semi-remolque

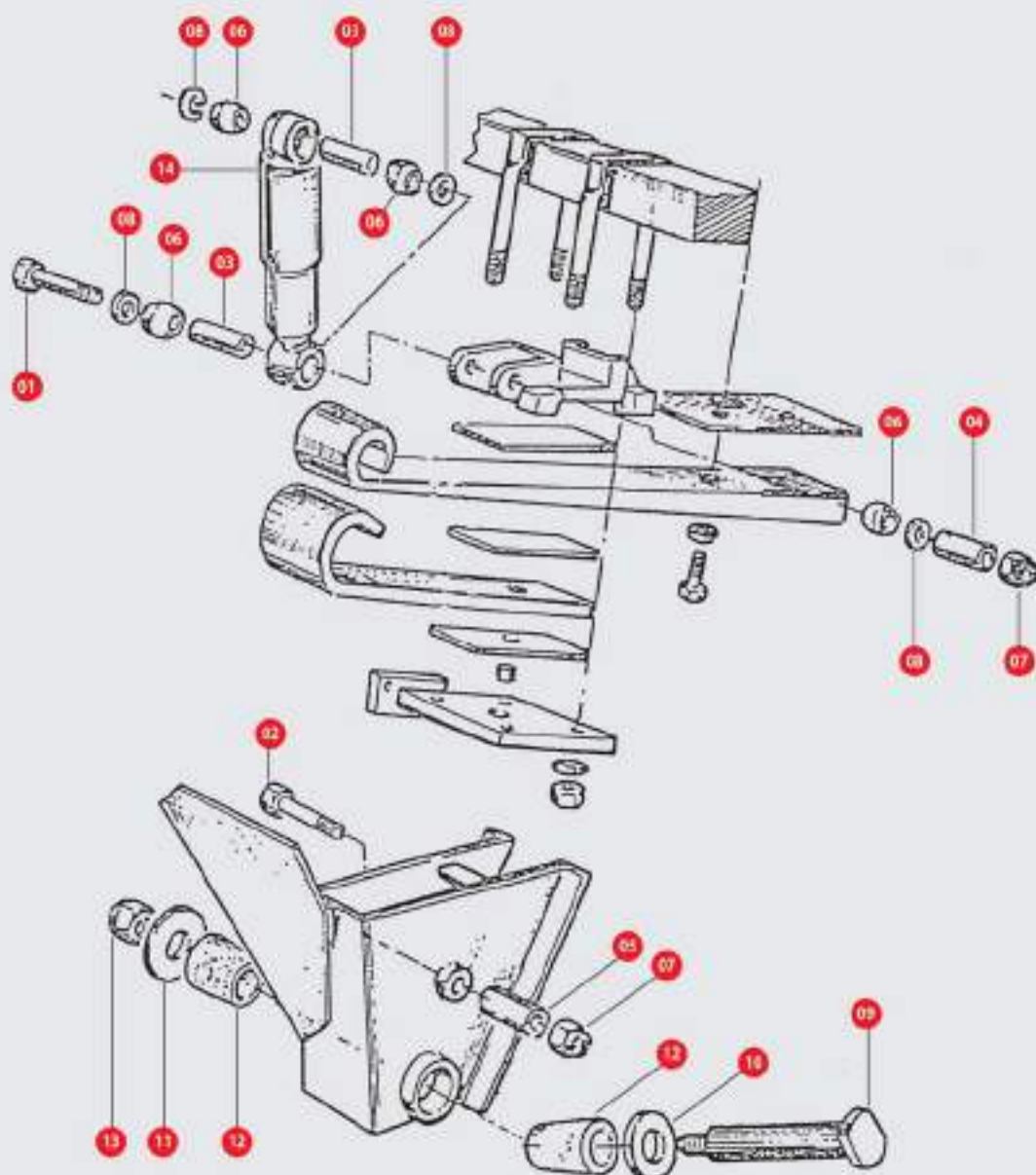
Spares and repair kits for the Semi-trailer







| N.º | Designación | Designation | F2A Ref. Onyarbi | Ref. Original |
|-----|--------------------------------|-------------------------------|---------------------|---------------|
| 01 | Balancín corto L:440 | Equaliser L:440 | 10.01.10 | UJA0029001 |
| 02 | Bulón balancín M-24x2x271 | Equaliser bolt M-24x2x271 | 10.01.11 | UJA0324001 |
| 03 | Silentblock del balancín | Equaliser bush | 10.01.12 | UJA0030001 |
| 04 | Arandela 100x52,5x2 | Washer 100x52x2 | 80.02.20 | UJA0097002 |
| 04a | Arandela 100x25x8 | Washer 100x25x8 | 80.02.21 | UJA0032001 |
| 05 | Tuerca M-24x2 DIN 985 | Lock nut M24x2 | 80.01.17 | ESP0602002 |
| 06 | Biela fija L:390 | Rigid torque arm L:390 | 10.01.15 | UJA0023002 |
| 07 | Husillo M-36x2x203 | Centre screw L:203; M-36x2 | 10.01.32 | UJA0026001 |
| 07a | Husillo M-36x2x260 | Centre screw L:260; M-36x2 | 10.01.33 | UJA0026002 |
| 07b | Husillo M-36x2x370 | Centre screw L:370; M-36x2 | 10.01.34 | UJA0026003 |
| 08 | Bulón biela M-24x2x155 | Torque arm bolt M-24x2x155 | 10.01.17 | UJA0034001 |
| 09 | Silentblock de biela | Torque arm bush | 10.01.18 | UJA0033001 |
| 10 | Arandela 64x32x2 cincada | Washer 64x32x2 | 80.02.22 | UJA0097001 |
| 10a | Arandela 64x25x6 | Washer 64x25x6 | 80.02.23 | UJA0035001 |
| 12 | Soposte central | Equaliser bracket | 10.01.21 | UJA0050001 |
| 13 | Soposte delantero | Front hanger bracket | 10.01.22 | UJA0051001 |
| 14 | Soposte trasero | Rear hanger bracket | 10.01.23 | UJA0052001 |
| 15 | Balancín largo L:480 | Equaliser L:480 | 10.01.31 | UJ80154001 |
| 16 | Cabeza biela izda. | Torque arm end L/H | 10.01.29 | UJA0025001 |
| 17 | Cabeza biela dcha. | Torque arm end R/H | 10.01.28 | UJA0025002 |
| 18 | Tornillo DIN 931 8-8 M-14x2x65 | Bolt DIN 931 8-8 M-14x2x65 | 70.01.65 | ESP0505001 |
| 19 | Tuerca M-14x2 DIN 985 | Nut torque arm M-14x2 DIN 985 | 80.01.24 | ESP0602001 |



| N.º | Designación | Designation | Ref. Oryarbi | Ref. Original |
|-----|--|----------------------------|--------------|---------------|
| 01 | Tornillo M-20x1,5x200 | Screw M-20x200 | 70.01.68 | ESP0505015 |
| 02 | Tornillo M-20x1,5x160, DIN 931 cincado | Screw M-20x1,5x160 DIN 931 | 70.01.69 | ESP0505005 |
| 03 | Casquillo 20x25x48 | Spacer 20x25x48 | 10.01.41 | BJA0902001 |
| 04 | Casquillo 20x33x70 | Spacer 20x33x70 | 10.01.37 | UJA0928003 |
| 05 | Casquillo 20x33x50 | Spacer 20x33x50 | 10.01.38 | UJA0928002 |
| 06 | Silentblock | Shock absorber bushing | 10.01.42 | UJA0811001 |
| 07 | Tuerca M-20x1,5 DIN 985 | Lock nut M-20x1,5 DIN 985 | 80.01.25 | ESP0602010 |
| 08 | Arandela 21x60x4 DIN 9021 | Washer 21x60x4 DIN 9021 | 80.02.28 | UJA1041002 |
| 09 | Bulón balancín M-24x2x271 | Equaliser bolt M-24x2x271 | 10.01.11 | UJA0324001 |
| 10 | Arandela 100x52,5x2 | Washer 100x52,5x2 | 80.02.20 | UJA0097002 |
| 11 | Arandela 100x25x6 | Washer 100x25x6 | 80.02.21 | UJA0032001 |
| 12 | Silentblock del balancín | Equaliser bush | 10.01.12 | UJA0030001 |
| 13 | Tuerca M-24x2 DIN 985 | Lock nut M-24x2 DIN 985 | 80.01.17 | ESP0602002 |
| 14 | Amortiguador | Shock-absorber | 80.10.10 | AJA0878001 |
| 14a | Amortiguador | Shock-absorber | 80.10.20 | M001537 |

Suspension Mecánica Mechanical Suspension

Kit Biela Grad. L:390 Adj. Torque Arm L:390



Ref. Original 100116 Para To fit
Ref. Original UJA0024002 **FRUEHAUF** F2A

Kit Rep. Balancín Equaliser Shaft Kit



Ref. Original 10.01.24 Para To fit
Ref. Original 100114 **FRUEHAUF** F2A

Kit Biela Grad. L:450 Adj. Torque Arm L:450



Ref. Original 100126 Para To fit
Ref. Original 85607 **FRUEHAUF** F2A

Kit Biela Grad. L:570 Adj. Torque Arm L:570



Ref. Original 10.01.27 Para To fit
Ref. Original UJA0024003 **FRUEHAUF** F2A

Kit Rep. 1 c/Biela Grad. L:390 Torque Arm Kit



Ref. Original 100130 Para To fit
Ref. Original 100115 **FRUEHAUF** F2A

Kit Rep. 2 c/Biela Grad. L:390 Torque Arm Kit



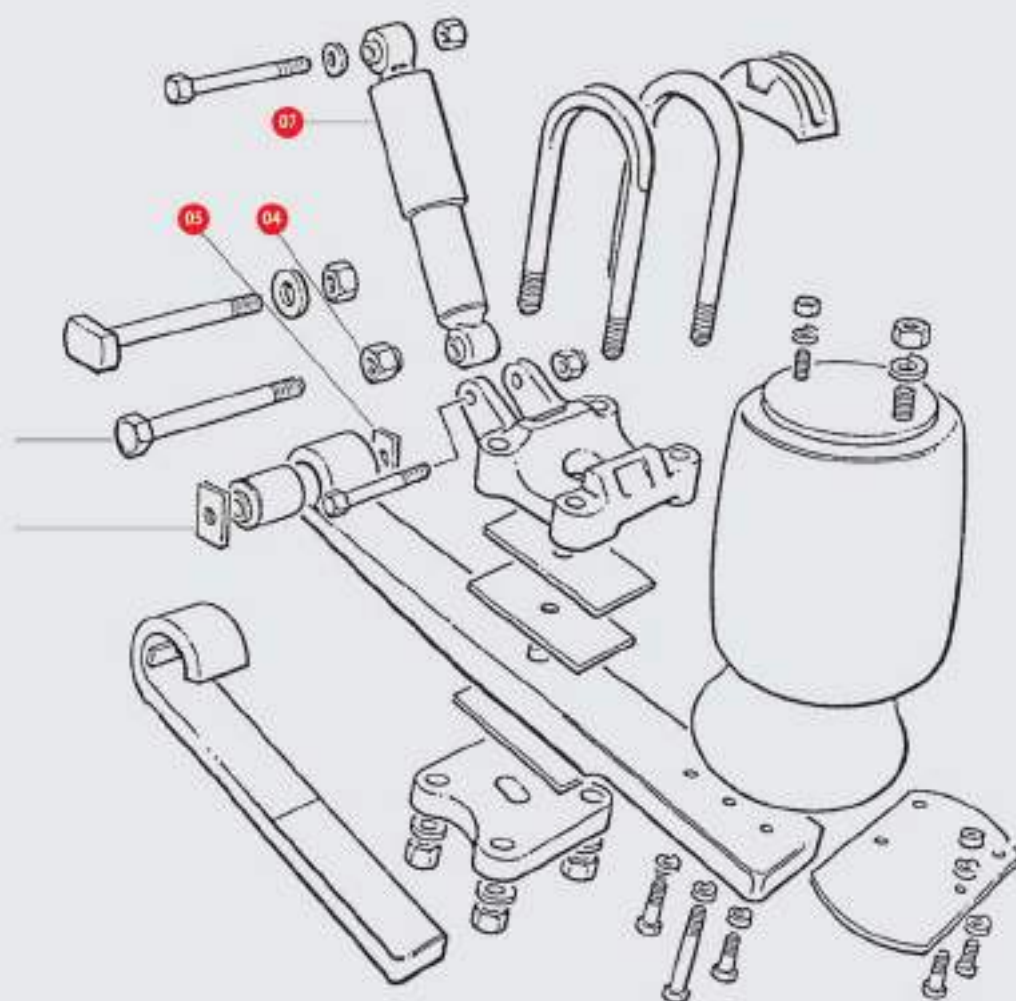
Ref. Original 10.01.30.2 Para To fit
Ref. Original 100113 **FRUEHAUF** F2A

Suspensión neumática Pneumatic Suspension

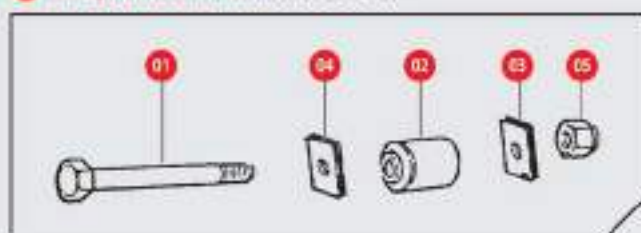
Kit Fij. Comp. 1 Amortiguador Kit Fix. Shock Absorber



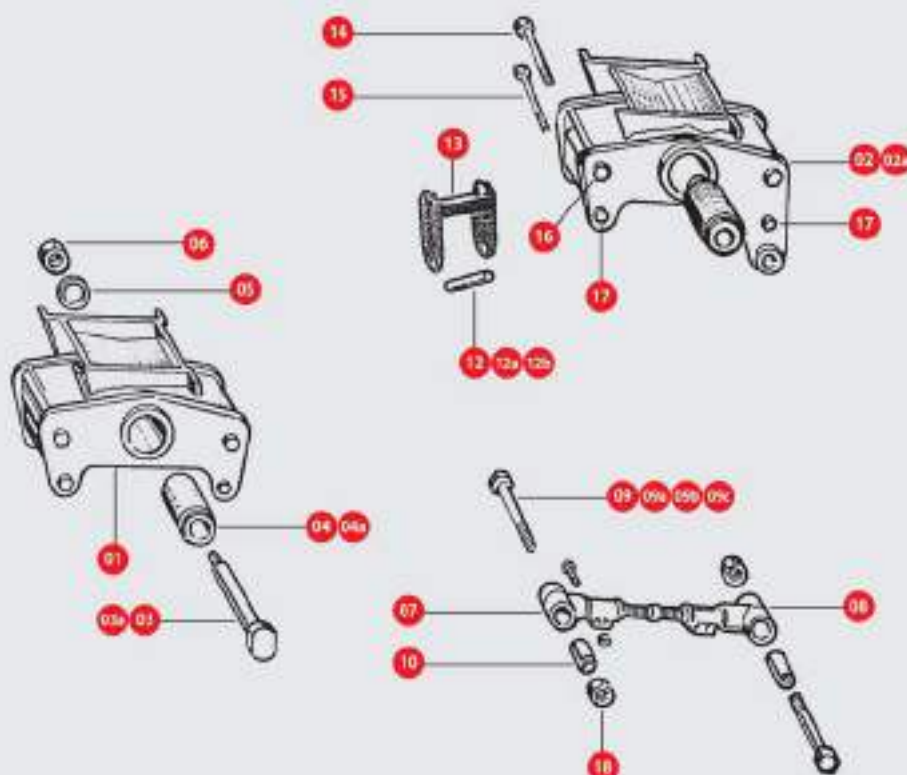
Ref. Original 100143 Para To fit
Ref. Original - **FRUEHAUF** TA



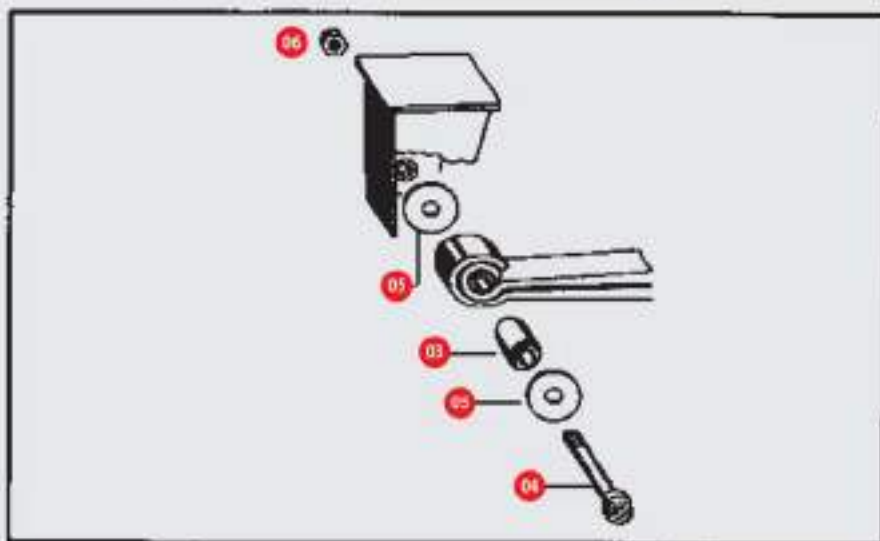
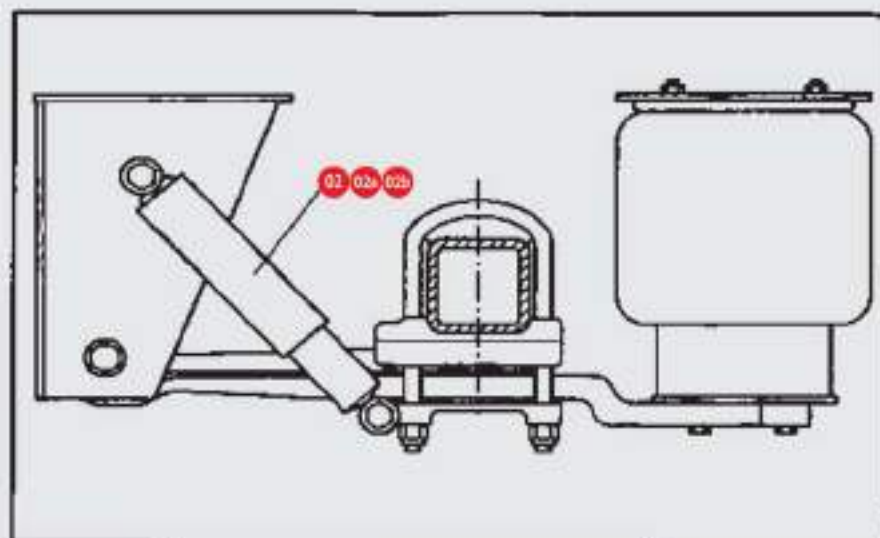
06 Kit Eje Articulación Kit Pivot Bolt



| N.º | Designación | Designation | SA Ref. Onyarbi | Ref. Original |
|-----|----------------------------------|--|--------------------|---------------|
| 01 | Tornillo bicromatado M-30x200 | Air suspension bolt M-30x200 | 40.01.53 | 6504212Z |
| 02 | Casquillo | Spring eye bushing | 14.02.25 | M001502 |
| 03 | Arandela rectang. D:31. 110x80x3 | Wear plate D:31. 110x80x3 | 80.02.38 | 6504207C |
| 04 | Arandela rectang. D:31. 130x85x3 | Wear plate D:31. 130x85x3 | 80.02.43 | M100160 |
| 05 | Tuerca M-30x3,5 DIN-980-R | Torque arm lock nut M-30x3,5 DIN-980-R | 80.01.22 | M008949 |
| 06 | Kit eje articulación | Kit pivot bolt | 14.02.26 | 6504212Z |
| 07 | Amortiguador | Shock absorber | 80.10.20 | M001537 |



| N.º | Designación | Designation | VB, VB...C Ref. Onyarbi | Ref. Original |
|-----|--|---------------------------------------|----------------------------|---------------|
| 01 | Balancín con silentblock P/Normal | Equalizer w/bush | 30.01.10 | 929100010 |
| 02 | | Equalizer w/bush sliders | 30.01.11 | 929100100 |
| 02a | Balancín con silentblock P/Larga con soporte | Equalizer w/platten slider plates | 30.01.38 | 929100310 |
| 03 | | Equalizer bolt 42x3x232 | 30.01.12 | 317716250 |
| 03a | Bulón de balancín D:60 | Equalizer bolt D:60 | 30.01.54 | 0317716290 |
| 04 | | Equalizer bush | 30.01.13 | 20316650 |
| 04a | Silentblock eje balancín (diám. 60mm) | Equalizer bush diam. 60mm | 30.01.55 | 0510397130 |
| 05 | | Washer 78x43x7 | 80.02.14 | 254014301 |
| 06 | Tuerca M-42x3 | Lock nut M-42x3 | 80.01.18 | 252209126 |
| 07 | | Torque arm head L/H | 30.01.17 | 335367090 |
| 08 | Cabeza de biela dcha. | Torque arm head R/H | 30.01.16 | 335367080 |
| 09 | | Bolt torque arm M30 L:150 | 30.01.18 | 334015150 |
| 09a | Bulón de biela M30 L:170 | Bolt torque arm M30 L:170 | 30.01.19 | 334015240 |
| 09b | | Bolt torque arm M30 L:190 | 30.01.20 | 334015200 |
| 09c | Bulón de biela M30 L:160 | Bolt torque arm M30 L:160 | 30.01.39 | 334015210 |
| 10 | | Bush torque arm 30x60x68 | 30.01.21 | 511398050 |
| 12 | Tubo del soporte 18x25x106 | Tube 16x25x106 | 30.01.32 | 330073210 |
| 12a | | Bush 28x21x136 | 30.01.42 | 330073230 |
| 12b | Tubo 18x25x103 | Bush 16x25x103 | 30.01.43 | 330073120 |
| 13 | | Slider assembly | 30.01.33 | 318902870 |
| 14 | Tornillo M-20x2,5x150 DIN 931 | Screw M-20x2,5x150 DIN 931 | 70.01.16 | 250231480 |
| 15 | | Screw M-14x2x150 | 70.01.25 | 250221080 |
| 16 | Tuerca M-20x2,5 DIN 985 | Lock nut M-20x2,5 DIN 985 | 80.01.14 | 252205082 |
| 17 | | Nut torque arm M-14x2 DIN 985 | 80.01.24 | 252731480 |
| 18 | Tuerca M-30x3,5 DIN-980R | Torque arm lock nut M-30x3,5 DIN-980R | 80.01.22 | 252208126 |



| N.º | Designación | Designation | ECO Ref. Onyarbi | VH/VO Ref. Onyarbi | Ref. Original |
|-----|--------------------------|---------------------------------------|---------------------|-----------------------|---------------|
| 02 | Amortiguador | Shock absorber | - | 80.10.30 | 237021800 |
| 02a | Amortiguador | Shock absorber | - | 80.10.31 | 237022000 |
| 02b | Amortiguador | Shock absorber | - | 80.10.32 | 237021400 |
| 03 | Casquillo suspensión | BPW susp. bush | 30.01.51 | - | 0203169000 |
| 03 | Silentblock 30x60x102 | Silentblock 30x60x102 | - | 30.01.34 | 203160000 |
| 04 | Bulón suspensión | Bolt suspension BPW | 30.01.52 | - | 0334105030 |
| 04 | Bulón biela M30 L190 | Bolt torque arm M30 L190 | - | 30.01.20.1 | 334015270 |
| 05 | Arandela 121x30,5x3,5 | Washer 62x30,5x3,5 | - | 80.02.12 | 332030080 |
| 06 | Tuerca M-30x3,5 DIN-980R | Torque arm lock nut M-30x3,5 DIN-980R | - | 80.01.22 | 252208126 |

Suspensión Mecánica Mechanical Suspension

Kit Biela Grad. L:320-380 Adj. Torque Arm L:320-380



| | | | |
|---------------|------------|-------------|-----------|
| Ref. Onyarbi | 30.01.26 | Para To fit | |
| Ref. Original | 0544370920 | BPW | VB, VB..C |

Kit Biela Grad. L:450-500 Adj. Torque Arm L:450-500



| | | | |
|---------------|------------|-------------|-----------|
| Ref. Onyarbi | 30.01.27 | Para To fit | |
| Ref. Original | 0544370770 | BPW | VB, VB..C |

Kit Biela Grad. L:510-570 Adj. Torque Arm L:510-570



| | | | |
|---------------|------------|-------------|-----------|
| Ref. Onyarbi | 30.01.28 | Para To fit | |
| Ref. Original | 0544370980 | BPW | VB, VB..C |

Kit Rep. Balancín Equaliser Bolt Assy



| | | | |
|---------------|----------|-------------|-----------|
| Ref. Onyarbi | 30.01.30 | Para To fit | |
| Ref. Original | - | BPW | VB, VB..C |

Kit Rep. 1 c/Biela Bulón Torque Arm Kit



| | | | |
|---------------|----------|-------------|-----------|
| Ref. Onyarbi | 30.01.31 | Para To fit | |
| Ref. Original | - | BPW | VB, VB..C |

Kit Sujeción + Soporte Slider and Accessories



| | | | |
|---------------|----------|-------------|-----------|
| Ref. Onyarbi | 30.01.45 | Para To fit | |
| Ref. Original | - | BPW | VB, VB..C |

Suspensión neumática Pneumatic Suspension

Kit Suspensión Neumática Kit Air Spring

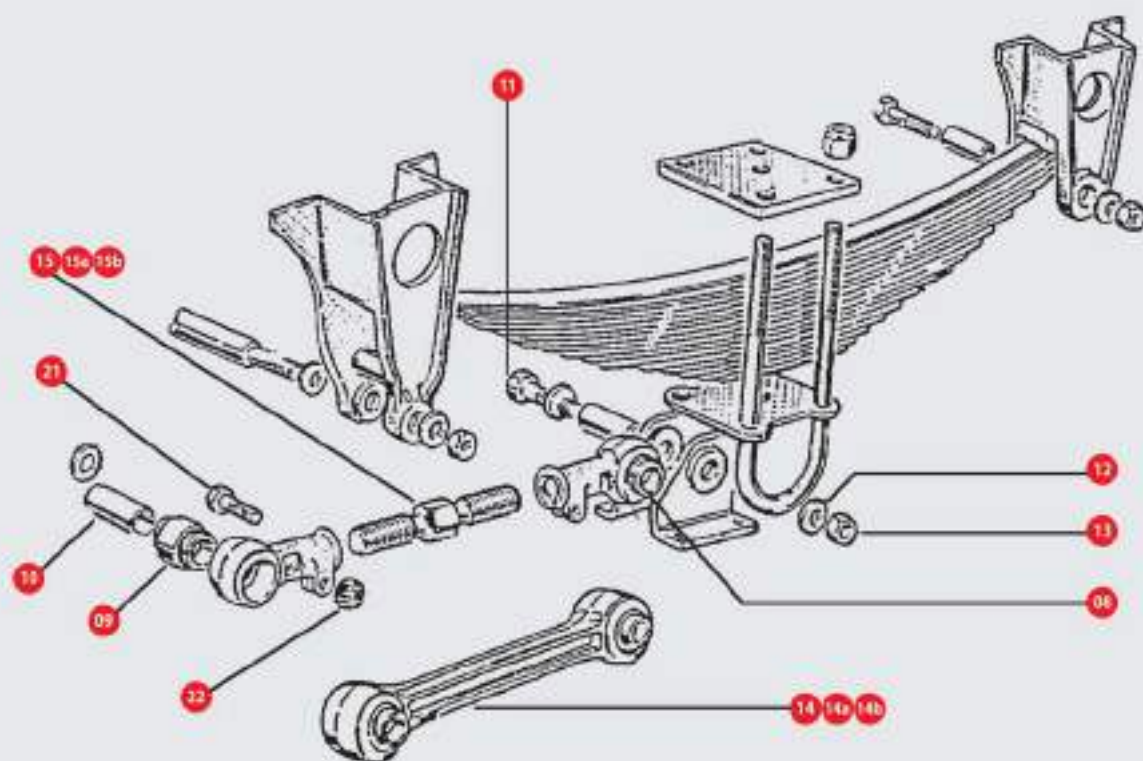


| | | | |
|---------------|----------|-------------|--------|
| Ref. Onyarbi | 30.01.46 | Para To fit | |
| Ref. Original | - | BPW | VH, VO |

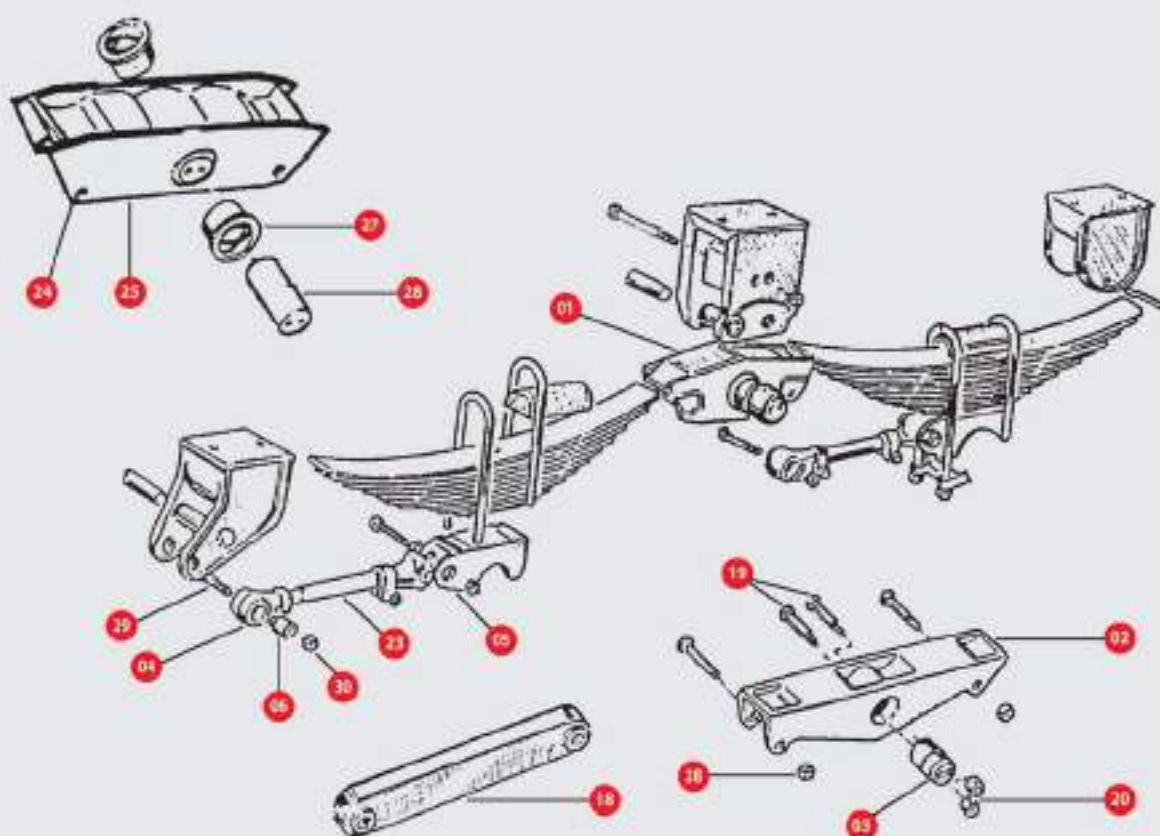
Kit Suspensión Neumática Kit Air Spring



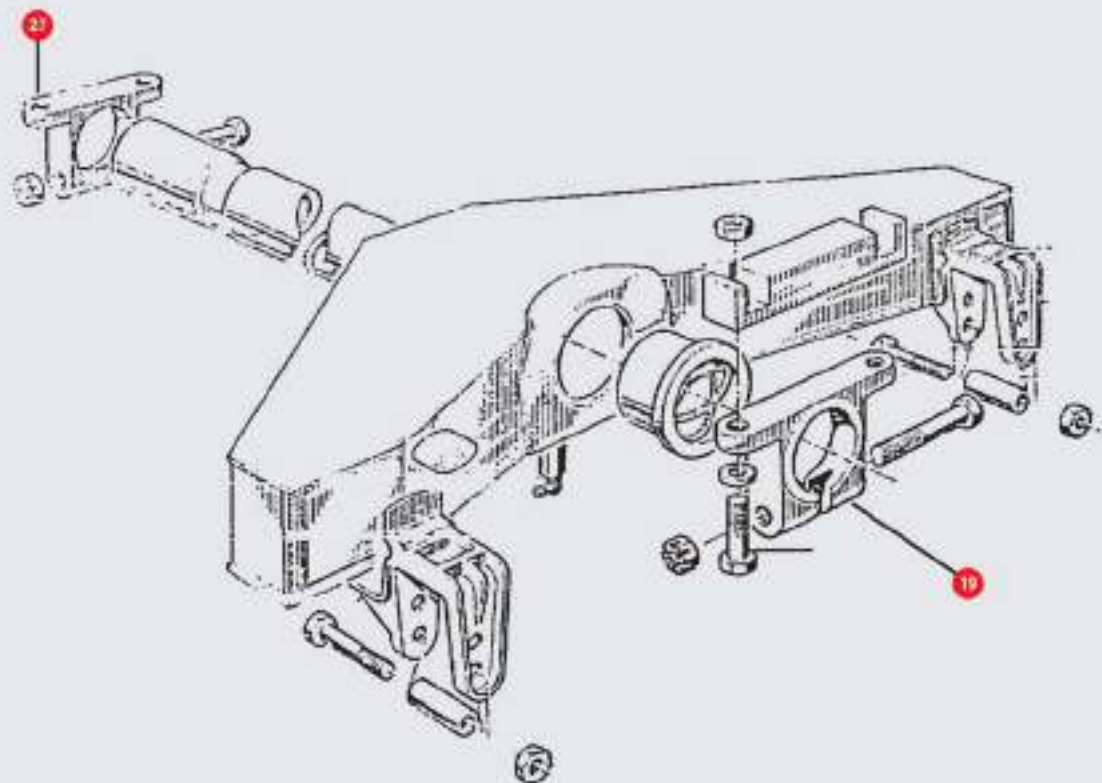
| | | | |
|---------------|----------|-------------|-----|
| Ref. Onyarbi | 30.01.53 | Para To fit | |
| Ref. Original | - | BPW | ECO |



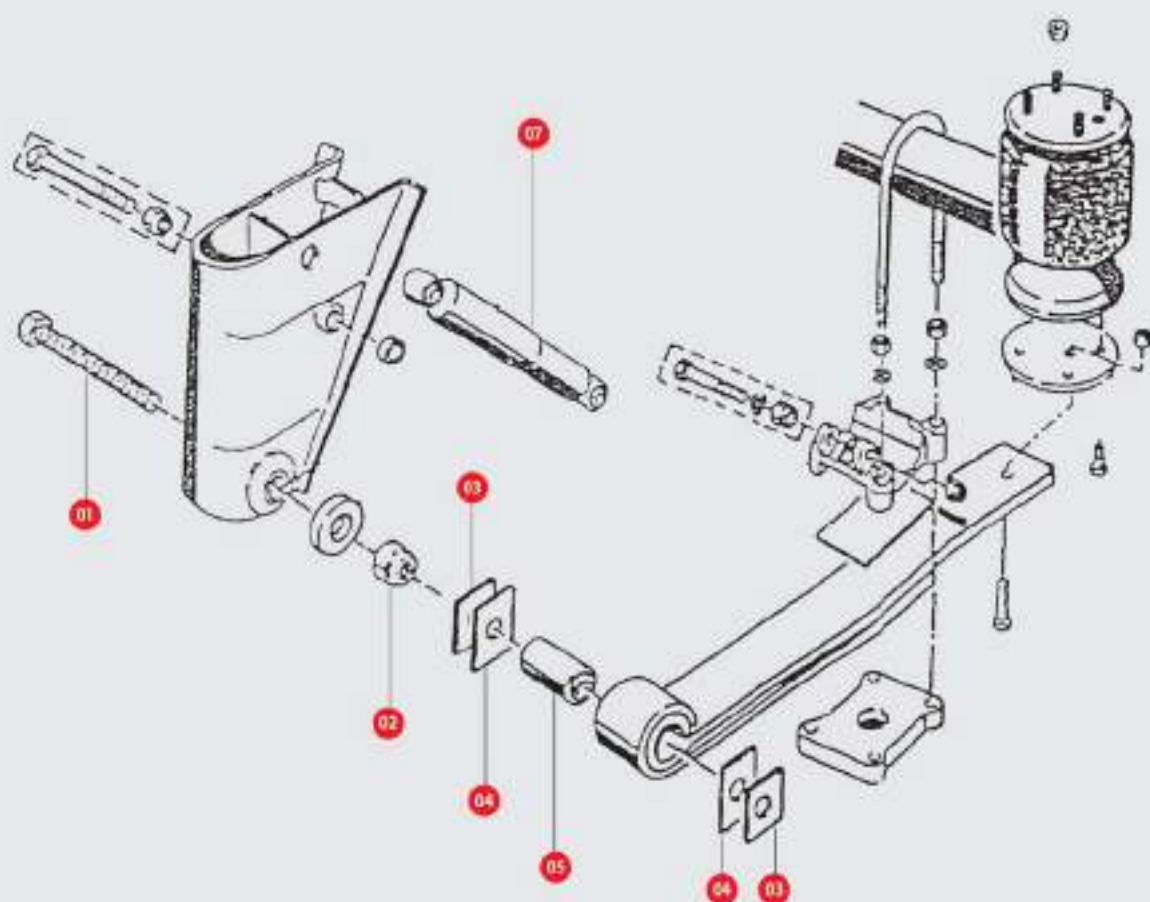
| N.º | Designación | Designation | TANDEM Ref. Orizarbi | Ref. Original |
|-----|---------------------------------------|----------------------------|-------------------------|---------------|
| 08 | Cabeza biela dcha. | Torque arm R/H | 40.01.17 | 2060000G |
| 09 | Silentblock c/biela 32x65x35 | Torque arm bush 32x65x35 | 40.01.19 | 2210000Z |
| 10 | Manguito | Sleeve-torque arm bolt | 40.01.22 | 2035000J |
| 11 | Tornillo M-20x2,5x140 DIN 931 cincado | Screw M-20x2,5x140 DIN 931 | 70.01.13 | 2033000M |
| 12 | Arandela 37x21x3 M-20 | Washer 37x21x3 M-20 | 80.02.15 | 2034000Z |
| 13 | Tuerca M-20x2,5 DIN 985 | Lock nut M-20x2,5 DIN 985 | 80.01.14 | 6401000J |
| 14 | Biela fija L:340 | Rigid torque arm L:340 | 40.01.26 | 2063000B |
| 14a | Biela fija L:387 | Rigid torque arm L:387 | 40.01.27 | 6502849B |
| 14b | Biela fija L:510 | Rigid torque arm L:510 | 40.01.29 | 6502851T |
| 15 | Husillo biela grad M-35x2x203 | Centre screw M-35x2x203 | 40.01.34 | 2029000E |
| 15a | Husillo biela grad M-35x2x250 | Centre screw M-35x2x250 | 40.01.35 | 6502855Z |
| 15b | Husillo biela grad M-35x2x371 | Centre screw M-35x2x371 | 40.01.37 | 2030000F |
| 21 | Tornillo M-16x2x80 DIN 931 | Screw M-16x2x80 DIN 931 | 70.01.14 | 2031000S |
| 22 | Tuerca M-16x2 DIN 985 | Lock nut M-16x2 DIN 985 | 80.01.10 | 3351000W |



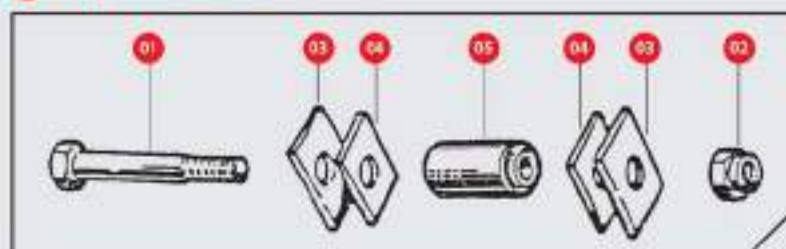
| N.º | Designación | Designation | TRIDEM Ref. Onyarbi | Ref. Original |
|-----|--------------------------------|----------------------------------|------------------------|---------------|
| 01 | Balancín L:435 | Equaliser L:435 | 40.01.10 | 6502875D |
| 02 | Balancín L:570 | Equaliser L:570 | 40.01.11 | 6502883D |
| 03 | Silentblock del balancín | Equaliser bush | 40.01.12 | 6115000X |
| 04 | Cabeza de biela de chapa izda. | Torque arm left | 40.01.15 | 6123000X |
| 05 | Cabeza de biela de chapa dcha. | Torque arm right | 40.01.14 | 6122000K |
| 06 | Silentblock C/B chapa | Torque arm bush | 40.01.16 | 6127000M |
| 18 | Biela fija L:372 | Rigid torque arm L:372 | 40.01.42 | 6501929R |
| 19 | Tornillo M-16x1,5x165 | Bolt equaliser bush M-16x1,5x165 | 70.01.22 | 6113000A |
| 20 | Tuerca M-16x1,5 DIN 985 | Lock nut | 80.01.15 | 6114000K |
| 23 | Husillo 1-1/2"x234 | Centre screw 1-1/2"x234 | 40.01.51 | 6124000F |
| 24 | Balancín corto C/B | Short equaliser bronze bush | 40.01.49 | - |
| 25 | Balancín largo con C/B | Long equaliser bronze bush | 40.01.45 | 6505676B |
| 26 | Eje balancín C/B | Equaliser bolt | 40.01.41 | 6505674Z |
| 27 | Casquillo bronce del balancín | Equaliser bronze bush | 40.01.46 | 6505675A |
| 28 | Silentblock de caucho | Bush | 40.01.50 | 6503707T |
| 29 | Bulón de biela M-25x3x130 | Screw M-25x3x130 | 70.01.27 | 6502176T |
| 30 | Tuerca bulón biela M-25x3 | Nut M-25x3 | 80.01.23 | 6502177N |



| N.º | Designación | Designation | Tubo & Palier Ref. Oryarbi | Ref. Original |
|-----|------------------|-----------------|-------------------------------|---------------|
| 16 | Cojinete lateral | Lateral bracket | 40.01.39 | 1984000Z |
| 17 | Cojinete central | Central bracket | 40.01.40 | 1985000J |



06 Kit Eje Articulación Kit Pivot Bolt



| N.º | Designación | Designation | L 200TEM L 200MD L 200LUN Ref. Oryarbi | Ref. Original |
|-----|---------------------------------|---------------------------------------|---|---------------|
| 01 | Tomillo bicromatado M-30x200 | Air suspension bolt M-30x200 | 40.01.53 | 6504212Z |
| 02 | Tuerca M-30x3,5 DIN-980R | forque arm lock nut M-30x3,5 DIN-980R | 80.01.22 | - |
| 03 | Arandela rectang. D:31 110x80x3 | Wear plate D:31 110x80x3 | 80.02.38 | 6504207C |
| 04 | Arandela rectang. D:31 130x80x5 | Washer D:31 130x80x5 | 80.02.39 | 6504208D |
| 05 | Casquillo metal caucho | Spring eye bush | 40.01.54 | 6504210X |
| 06 | Kit eje art. susp. neumática | Kit air suspension axle | 40.01.55 | - |
| 07 | Amortiguador | Shock absorber | 80.10.40 | 6505245X |

Suspensión Mecánica Mechanical Suspension

Kit Biela Grad. L:340 Adj. Torque Arm L:340



| | | |
|---------------|----------|-------------|
| Ref. Onyarbi | 40.01.30 | Para To fit |
| Ref. Original | 22110102 | TANDEM |

Kit Biela Grad. L:387 Adj. Torque Arm L:387



| | | |
|---------------|----------|-------------|
| Ref. Onyarbi | 40.01.31 | Para To fit |
| Ref. Original | 6502852W | TANDEM |

Kit Biela Grad. L:510 Adj. Torque Arm L:510



| | | |
|---------------|----------|-------------|
| Ref. Onyarbi | 40.01.33 | Para To fit |
| Ref. Original | 6502854Y | TANDEM |

Kit Fijación Balancín Kit Equaliser Bolt Nut



| | | |
|---------------|-------------|-------------|
| Ref. Onyarbi | 40.01.43 | Para To fit |
| Ref. Original | 6502734L(2) | TRIDEM |

Kit Biela Tandem Kit Torque Arm Tandem



| | | |
|---------------|----------|-------------|
| Ref. Onyarbi | 40.01.44 | Para To fit |
| Ref. Original | 2211015T | TANDEM |

Kit Biela Torque Arm Kit



| | | |
|---------------|------------|-------------|
| Ref. Onyarbi | 40.01.44.1 | Para To fit |
| Ref. Original | - | TANDEM |

Suspensión Mecánica Mechanical Suspension

Kit Biela Tridem Kit Torque Arm Tandem



| | | |
|---------------|----------|-------------|
| Ref. Onyarbi | 40.01.47 | Para To fit |
| Ref. Original | 6502105Z | TRIDEM |

Kit Biela Torque Arm Kit



| | | |
|---------------|------------|-------------|
| Ref. Onyarbi | 40.01.47.1 | Para To fit |
| Ref. Original | - | TRIDEM |

Kit Biela Grad. C/B L:372 Adj. Torque Arm C/B L:372

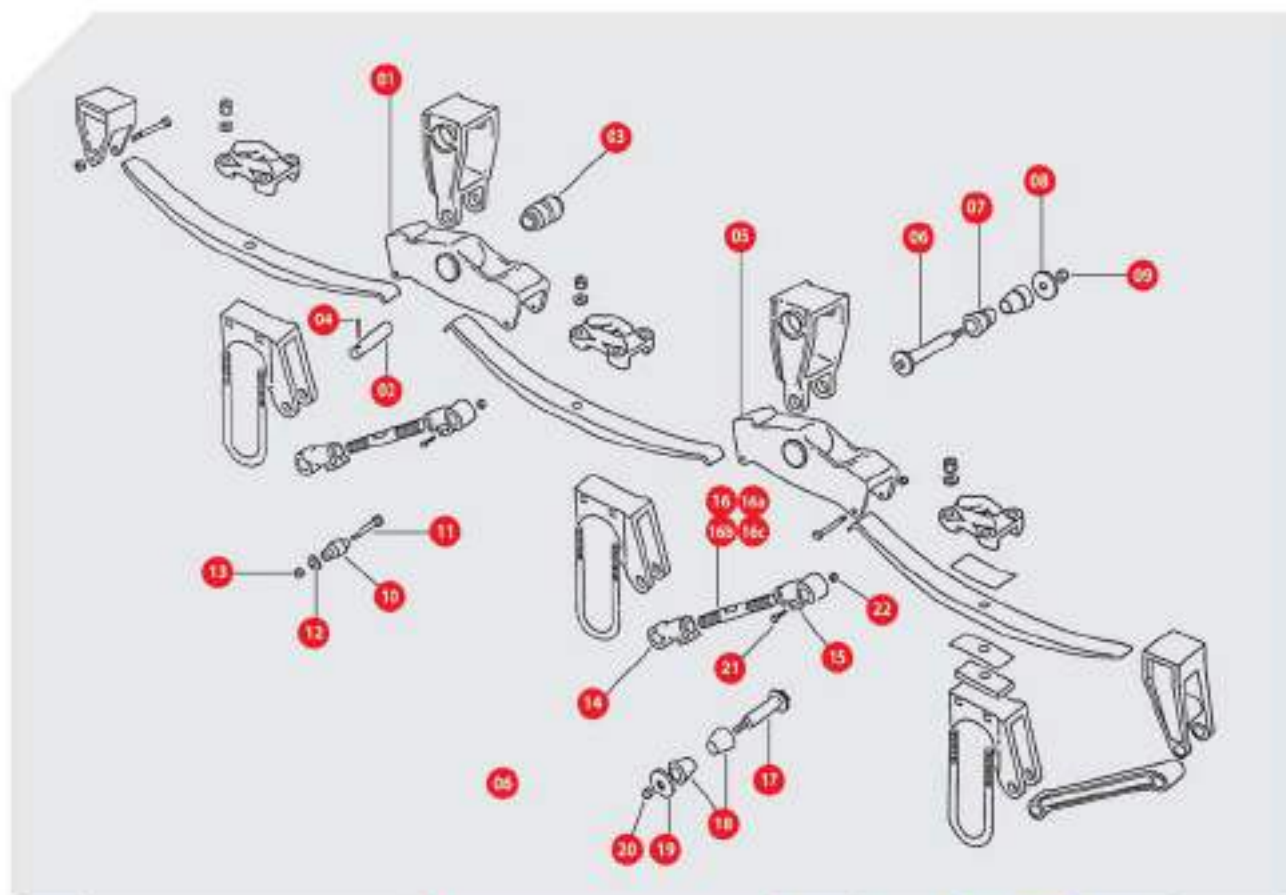


| | | |
|---------------|----------|-------------|
| Ref. Onyarbi | 40.01.48 | Para To fit |
| Ref. Original | 6502104Y | TRIDEM |

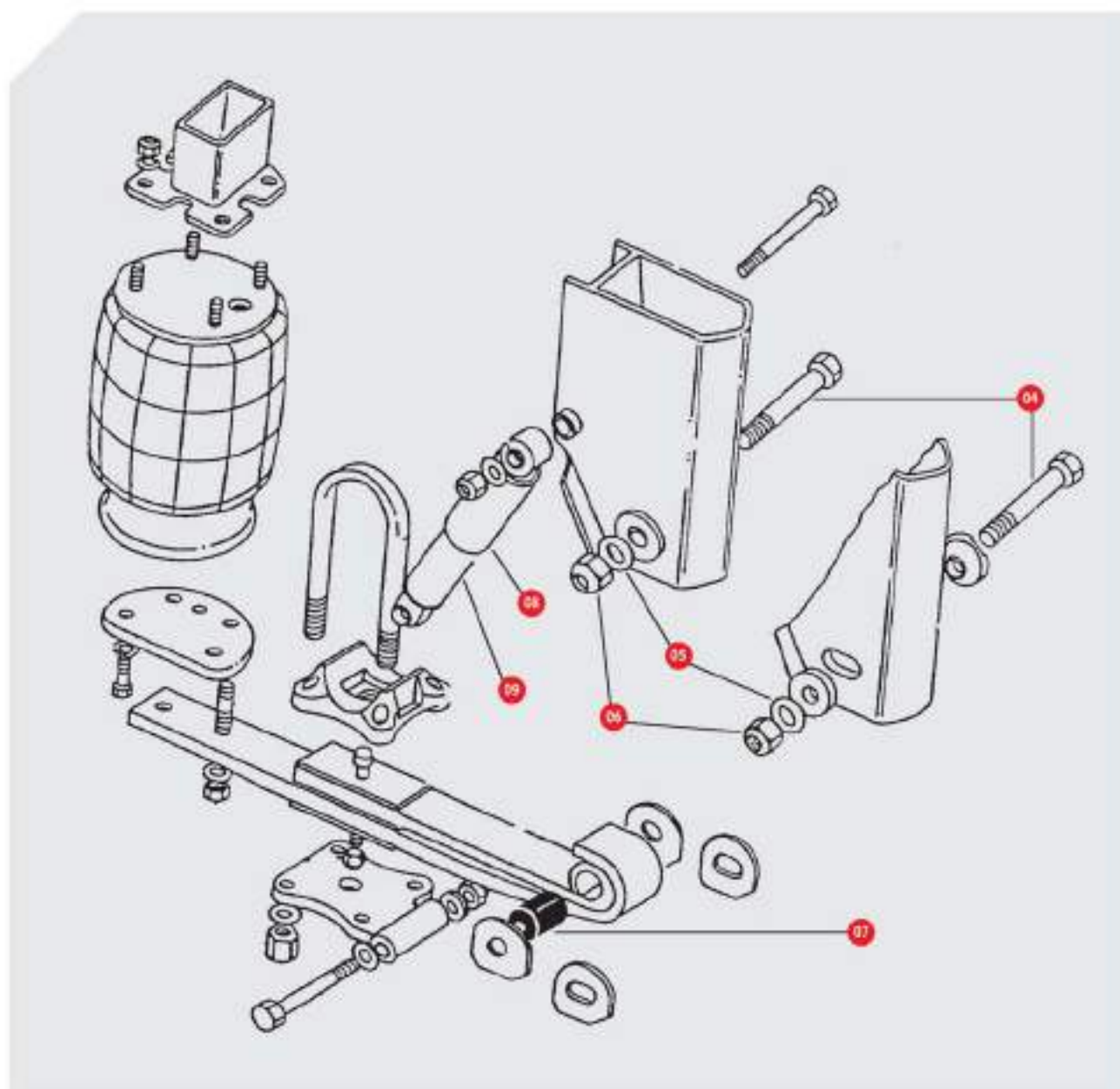
Kit Fijación Balancín C/B Equaliser Fix. Kit W/B



| | | |
|---------------|----------|-------------|
| Ref. Onyarbi | 40.01.52 | Para To fit |
| Ref. Original | - | TRIDEM |



| N.º | Designación | Designation | M Ref. Oryarbi | M/SM Ref. Oryarbi | SM/SMT Ref. Oryarbi | SMT Ref. Oryarbi | Ref. Original |
|-----|----------------------------------|---------------------------------------|-------------------|----------------------|------------------------|---------------------|---------------|
| 01 | Balancín recto | Equalizer w/bush | 50.01.10 | - | - | - | 19016378 |
| 02 | Eje de balancín recto | Equalizer shaft | 50.01.11 | - | - | - | 21016381 |
| 03 | Slentblock de balancín | Equalizer bush | 50.01.12 | - | - | - | 21011746 |
| 04 | Pasador tubular 1/2"x2,5" | Retaining pin | 80.04.09.1 | - | - | - | 21016382 |
| 05 | Balancín cónico | Equalizer | - | - | 50.01.15 | - | 21203141 |
| 06 | Balón de balancín cónico M24x289 | Equalizer bolt M24x289 | - | - | 50.01.16 | - | 2120600 |
| 07 | Slentblock balancín cónico | Equalizer bush | - | - | 50.01.17 | - | 21020676 |
| 08 | Arandela 100x25x6 | Washer 100x25x6 | - | - | 80.02.21 | - | 21020678 |
| 09 | Tuerca M-24x3 DIN 985 | Lock nut M-24x3 DIN 985 | - | - | 80.01.20 | - | 21206001 |
| 10 | Slentblock de biela | Torque arm bush | - | 50.01.23 | - | - | 21011745 |
| 11 | Tomillo c/exg. M722x2,5x140 | Screw M-22x2,5x140 | - | 70.01.87 | - | - | 21015626 |
| 12 | Arandela 23x55x3 | Washer 23x55x3 | - | 80.02.27 | - | - | 21208539 |
| 13 | Tuerca M-22x2,5 DIN 985 | Nut M-22x2,5 DIN 985 | - | 80.01.28 | - | - | 21016115 |
| 14 | Cabeza de biela izda. | Torque arm end L/H | - | - | - | 50.01.26 | 19209548 |
| 15 | Cabeza de biela dcha. | Torque arm end R/H | - | - | - | 50.01.27 | 19209549 |
| 16 | Husillo M-36x2x232 | Torque arm centre screw L:232; M-36x2 | - | - | - | 50.01.28 | - |
| 16a | Husillo M-36x2x288 | Torque arm screws L:288 | - | - | - | 50.01.29 | - |
| 16b | Husillo M-36x2x340 | Torque arm screws L:340 | - | - | - | 50.01.30 | - |
| 16c | Husillo M-36x2x416 | Torque arm screws L:416 | - | - | - | 50.01.31 | - |
| 17 | Balón de biela M-24x3x160 | Torque arm bolt M724x3x160 | - | - | - | 50.01.36 | 21202094 |
| 18 | Slentblock de biela | Torque arm bush | - | - | - | 10.01.18 | 21202104 |
| 19 | Arandela 64x25x6 | Washer 64x25x6 | - | - | - | 80.02.23 | 21202092 |
| 20 | Tuerca M-24x3 DIN 985 | Lock nut M-24x3 DIN 985 | - | - | - | 80.01.20 | 21206001 |
| 21 | Tomillo M-12x1,75x85 DIN 931 | Screw M-12x1,75x85 DIN 931 | - | - | - | 70.01.21 | - |
| 22 | Tuerca M-12x1,75 DIN 985 | Lock nut M-12x1,75 DIN 985 | - | - | - | 80.01.16 | - |



| N.º | Designación | Designation | FL11000 FL11000L Ref. Onyarbi | Ref. Original |
|-----|-------------------------------|---------------------------------------|-------------------------------------|---------------|
| 04 | Tornillo bicromatado M-30x200 | Air suspension bolt M-30x200 | 40.01.53 | 21222234 |
| 05 | Arandela plana cincada | Washer | 80.02.45 | 99513008 |
| 06 | Tuerca M-30x3,5 DIN-980R | Torque arm lock nut M-30x3,5 DIN-980R | 80.01.22 | 99527003 |
| 07 | Silentblock 30x60x102 | Silentblock 30x60x102 | 30.01.34 | 21222609 |
| 08 | Amortiguador | Shock absorber | 80.10.51 | 21224745 |
| 09 | Amortiguador | Shock absorber | 80.10.50 | 21216058 |



Suspension Mecánica Mechanical Suspension

Kit Balancín Cónico Kit Equaliser Shaft



Ref. Original 5001.24 Para To fit
 Ref. Original SUS2 SM/SMT

Kit Balancín Recto Kit Equaliser Shaft



Ref. Original 50.01.25 Para To fit
 Ref. Original SUS4 M

Kit Biela Grad. L:327-378 Adj. Torque Arm L:327-378



Ref. Original 5001.32 Para To fit
 Ref. Original 19206145 SMT

Kit Biela Grad. L:381-438 Adj. Torque Arm L:381-438



Ref. Original 50.01.33 Para To fit
 Ref. Original 19206144 SMT

Kit Biela Grad. L:441-498 Adj. Torque Arm L:441-498



Ref. Original 5001.34 Para To fit
 Ref. Original 19206039 SMT

Kit Biela Grad. L:503-562 Adj. Torque Arm L:503-562



Ref. Original 50.01.35 Para To fit
 Ref. Original 19206143 SMT

Kit de Biela SMT Torque Arm Kit SMT

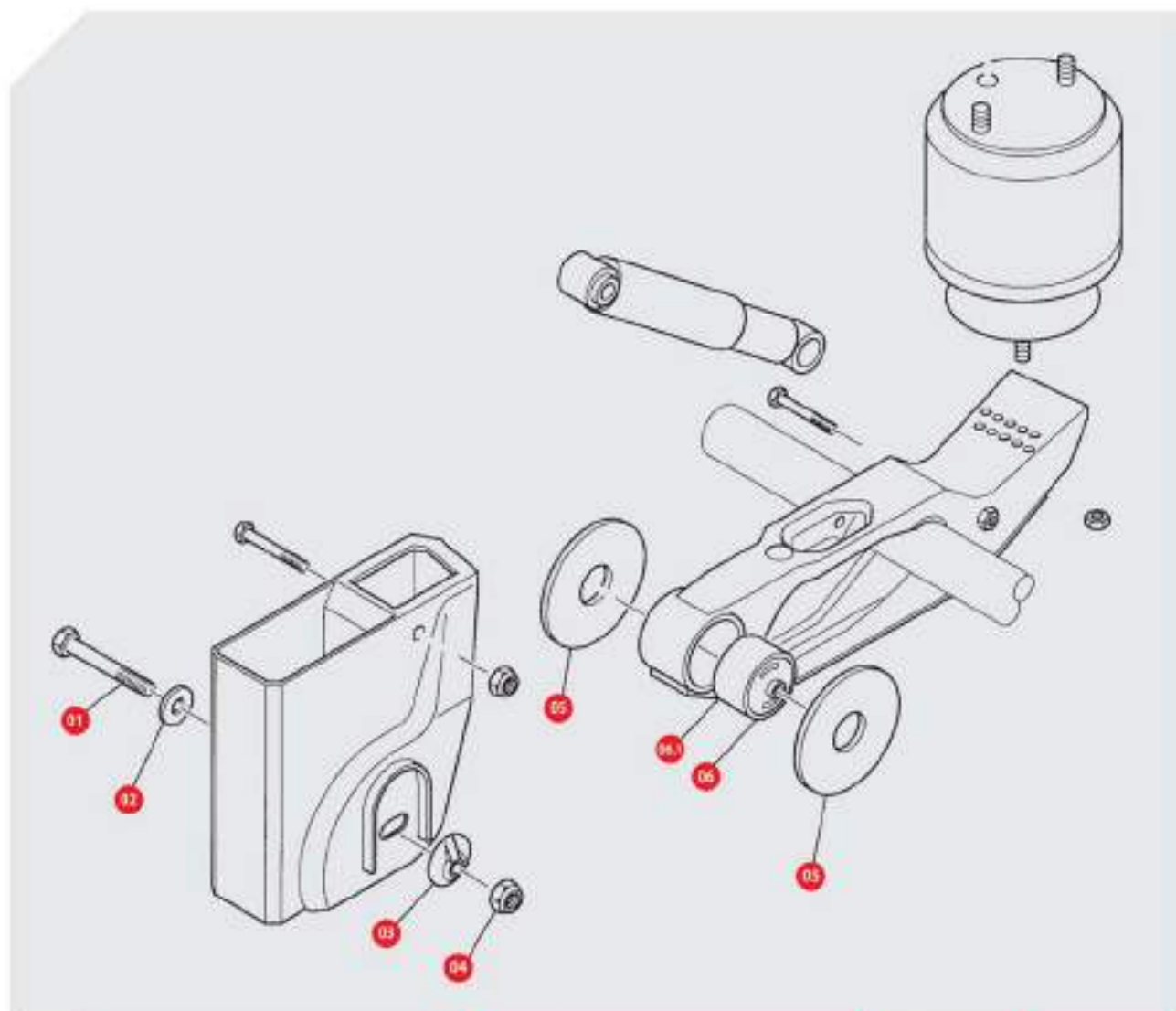


Ref. Original 5001.37 Para To fit
 Ref. Original SUS3 SMT

Kit de Biela M-SM Torque Arm Kit M-SM



Ref. Original 50.01.38 Para To fit
 Ref. Original SUS1 M/SM



| N.º | Designación | Designation | Intra Disc Plus Tipo IO/IU Ref. Omyarbi | Ref. Original |
|------|------------------------|-------------------------------|---|---------------|
| 01 | Tornillo M-30x200 | Pivot bolt assembly (M30x200) | 40.01.53 | 4343104888 |
| 02 | Arandela concéntrica | Concentric washer | 80.02.67 | 1123000101 |
| 03 | Arandela excéntrica | Excentric washer | 80.02.65 | 1101200100 |
| 04 | Tuerca M-30 | Nut M-30 | 80.01.22 | 4247402280 |
| 05 | Arandela de empuje | Thrust washer | 80.02.68 | 4331502900 |
| 06 | Casquillo metal caucho | Pivot bush | 90.19.52 | 4177302800 |
| 06.1 | Casquillo metal caucho | Pivot bush | 90.19.53 | 4177302600 |

Kit Suspensión Neumática Kit Air Spring



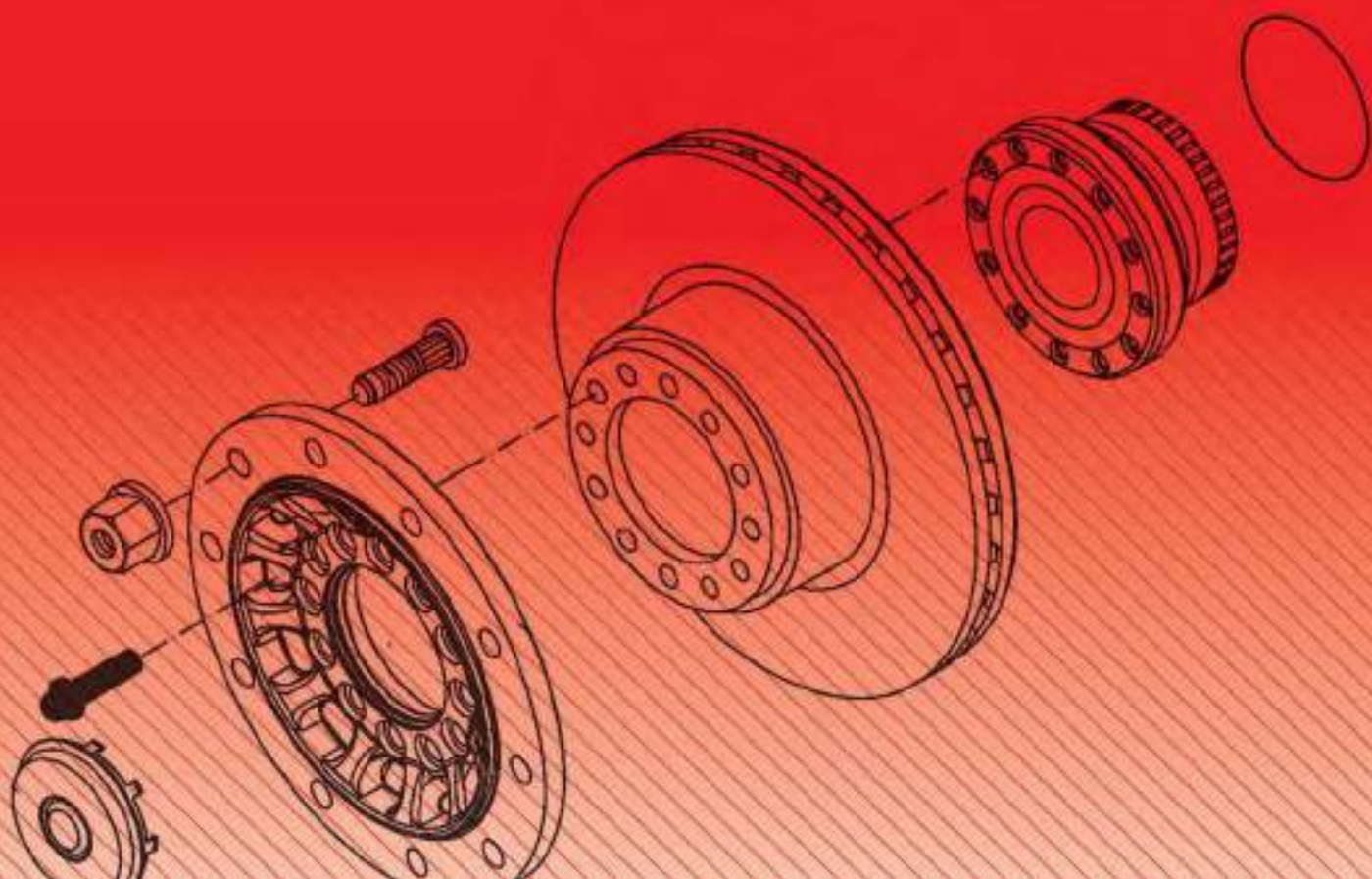
Ref. Omyarbi 90.19.54
 Ref. Original 41773028005

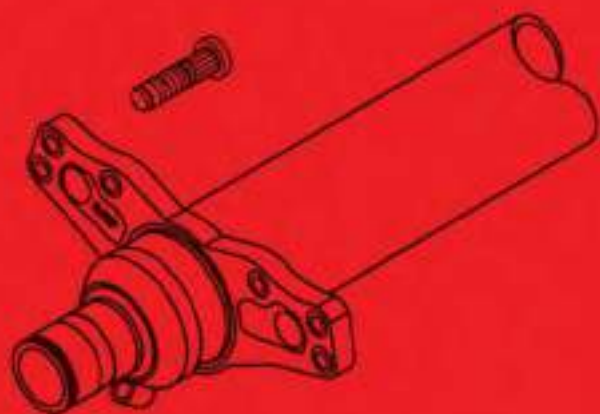
Para To fit
 Intra Disc Plus Tipo IO/IU

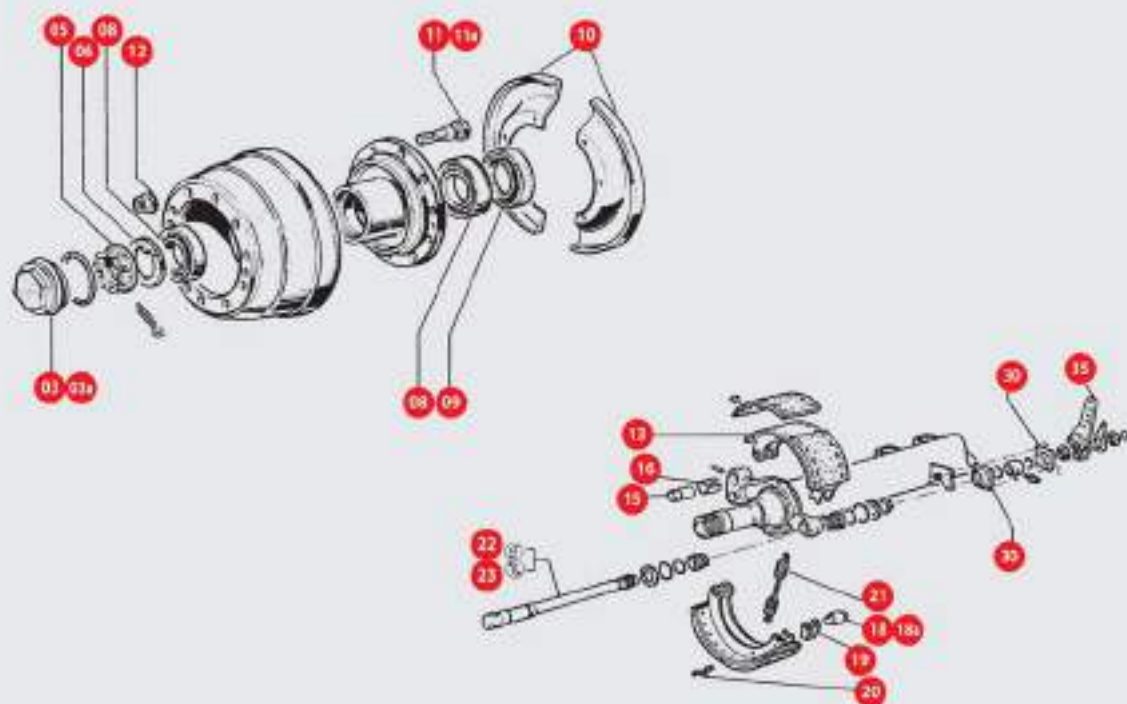
*Las marcas, los croquis, símbolos y referencias del constructor original son indicados para facilitar la identificación de las piezas de nuestra fabricación.
 *All manufacturer's names, numbers, symbols and descriptions are used for reference purposes only, and it is not implied that any part listed is the product of these manufacturers.

Elementos y kits de reparación de Semi-remolque

Spares and repair kits for the Semi-trailer







| N.º | Designación | Designation | P13 Ref. Ornyarbi | P15 Ref. Ornyarbi | P75 Ref. Ornyarbi | PSL Ref. Ornyarbi | Ref. Original |
|-----|---------------------------------|--------------------------|----------------------|----------------------|----------------------|----------------------|---------------|
| | Tapón tapacubos | Plug | 10.02.26 | 10.02.26 | 10.02.26 | 10.02.26 | AJA0733001 |
| 02 | Buje de rueda | Hub Fruehauf | - | - | - | 10.02.30 | AJB0038001 |
| 03 | Tapacubos de plástico | Hub cap | 10.02.27 | 10.02.27 | 10.02.27 | 10.02.27 | AJA0492001 |
| 03a | Tapacubos de aluminio | Hub cap aluminium | 10.02.42 | 10.02.42 | 10.02.42 | 10.02.42 | AJA0577001 |
| 05 | Tuerca Fruehauf | Axle end nut | 10.02.28 | 10.02.28 | 10.02.28 | 10.02.28 | AJA0620001 |
| 06 | Arandela de acero | Axle washer | 10.02.45 | 10.02.45 | 10.02.45 | 10.02.45 | AJA0407001 |
| 08 | Rodamiento | Bearing | 80.07.02 | 80.07.02 | 80.07.02 | 80.07.02 | AJA0813001 |
| 09 | Retén aceite | Oil seal | 80.09.03 | 80.09.03 | 80.09.03 | 80.09.03 | AJA0564001 |
| 10 | Faldón interior/superior | Dust cover | 10.02.31/32 | 10.02.31/32 | - | - | ARIA0483701 |
| 11 | Tomillo rueda M-22x1,5 L84 | Wheel bolt M-22x1,5 L84 | 70.01.57 | 70.01.57 | 70.01.57 | 70.01.57 | AJA0491002 |
| 11a | Tomillo rueda M-22x1,5 L99 | Wheel bolt M-22x1,5 L99 | 70.01.58 | 70.01.58 | 70.01.58 | 70.01.58 | AJA0491001 |
| 12 | Tuerca (33mm) | Wheel nut (33mm) | 80.01.21.1 | 80.01.21.1 | 80.01.21.1 | 80.01.21.1 | AJA0495001 |
| 13 | Zapata (419x178) | Brake shoe (419x178) | 10.02.44 | 10.02.44 | - | 10.02.44 | AJA0508001 |
| 15 | Bulón anclaje zapata | Anchor pin | 10.02.33 | 10.02.33 | 10.02.33 | 10.02.33 | AJA0507001 |
| 16 | Casquillo anc. zapata fosfatado | Bush anchor pin | 10.02.38 | 10.02.38 | 10.02.38 | 10.02.38 | AJA0558001 |
| 18 | Rodillo (19/25x57) | Cam roller (19/25x57) | 10.02.41 | 10.02.41 | 10.02.41 | 10.02.41 | AJA0504002 |
| 18a | Rodillo de zapata (19/31 75x57) | Cam roller (19/31 75x57) | 10.02.57 | 10.02.37 | 10.02.37 | 10.02.37 | AJA0504001 |
| 19 | Retén de rodillo | Clip-cam roller | 10.02.36 | 10.02.36 | 10.02.36 | 10.02.36 | AJA0509001 |
| 20 | Pasador de muelle retorno | Pin release spring | 10.02.34 | 10.02.34 | 10.02.34 | 10.02.34 | AJA0505001 |
| 21 | Muelle zapata 210x162x30 | Brake spring 210x162x30 | 80.03.20 | 80.03.20 | 80.03.20 | 80.03.20 | AJA0486001 |
| 22 | Leva freno izda. L:590 | Camshaft L:590 left | 10.02.13 | 10.02.13 | - | 10.02.13 | AJA0476003 |
| 23 | Leva freno dcha. L:590 | Camshaft L:590 right | 10.02.11 | 10.02.11 | - | 10.02.11 | AJA0476004 |
| 30 | Soporte cojinete leva | Housing | 10.02.25 | 10.02.25 | 10.02.25 | 10.02.25 | AJB0002001 |
| 35 | Palanca freno 37 estrías | Slack adjuster | 10.02.22 | 10.02.22 | 10.02.22 | 10.02.22 | AJA0996001 |

Freno/Tambor (Kit Reparación) Brake/Drum Rep. Kit

Kit Rep. 2 Zapatas Break Shoe Kit



Ref. Original 10.02.43
Ref. Original -

Para To fit
FRUEHAUF P13/P15/PSL

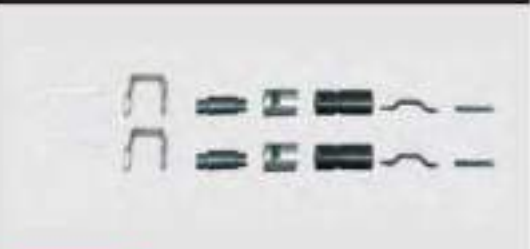
Kit Rep. 2 Leva Fruehauf 2 Camshaft Repair Kit



Ref. Original 10.02.39
Ref. Original ARJA0199705

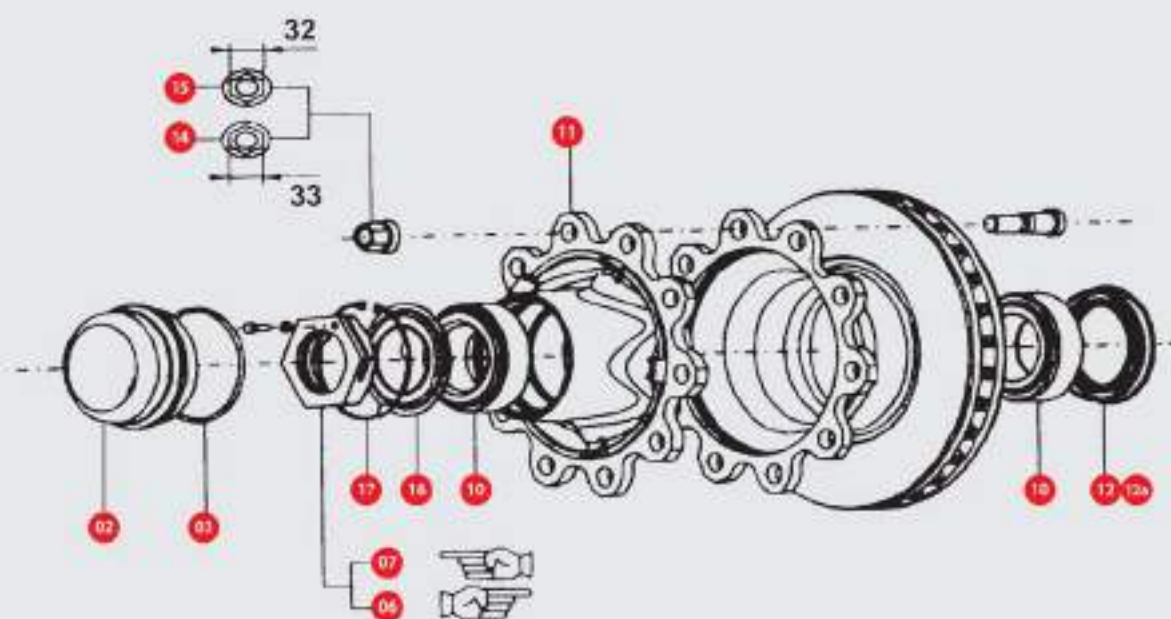
Para To fit
FRUEHAUF P13/P15/P75/PSL

Kit Rep. 2 Zapatas Break Shoe Kit



Ref. Original 10.02.48
Ref. Original -

Para To fit
FRUEHAUF P13/P15/PSL



| N.º | Designación | Designation | D1 Ref. Onyarbi | K1 Ref. Onyarbi | K5 Ref. Onyarbi | Ref. Original |
|-----|------------------------|--------------------|--------------------|--------------------|--------------------|---------------|
| 02 | Tapacubos+Junta tórica | Hub cap c/w O ring | 14.02.39 | 14.02.39 | 14.02.39 | M050872 |
| 03 | Retén tapacubos | Retainer | 14.02.33 | 14.02.33 | 14.02.33 | M044570 |
| 06 | Tuerca eje dcha. | Lock nut right | 14.02.11 | 14.02.11 | 14.02.11 | M002564 |
| 07 | Tuerca eje izda. | Lock nut left | 14.02.11.1 | 14.02.11.1 | 14.02.11.1 | M007916 |
| 10 | Rodamiento int.-ext. | Bearing out/in | 80.07.01 | 80.07.01 | 80.07.01 | M003168 |
| 11 | Buje | Hub | 14.02.29 | 14.02.29 | - | M069034 |
| 12 | Retén aceite | Oil seal | 80.09.08 | 80.09.08 | 80.09.08 | M20002101 |
| 12a | Retén aceite | Oil seal | 80.09.09 | 80.09.09 | - | M20002103 |
| 14 | Tuerca (33mm) | Wheel nut (33mm) | - | 80.01.21.1 | 80.01.21.1 | M003141 |
| 15 | Tuerca (32mm) | Wheel nut (32mm) | - | 80.01.21 | 80.01.21 | M012571 |
| 16 | Arandela | Washer | 14.02.31 | 14.02.31 | 14.02.31 | M076170 |
| 17 | Circlip | Retaining ring | 14.02.32 | 14.02.32 | 14.02.32 | M076189 |

Kit Retén Retainer Kit



Ref. Onyarbi

14.02.35

Para To fit

Ref. Original

M010845

SMB C1, C2, C3, C5

Kit Rodamiento y Retén Bearing and Retainer Kit



Ref. Onyarbi

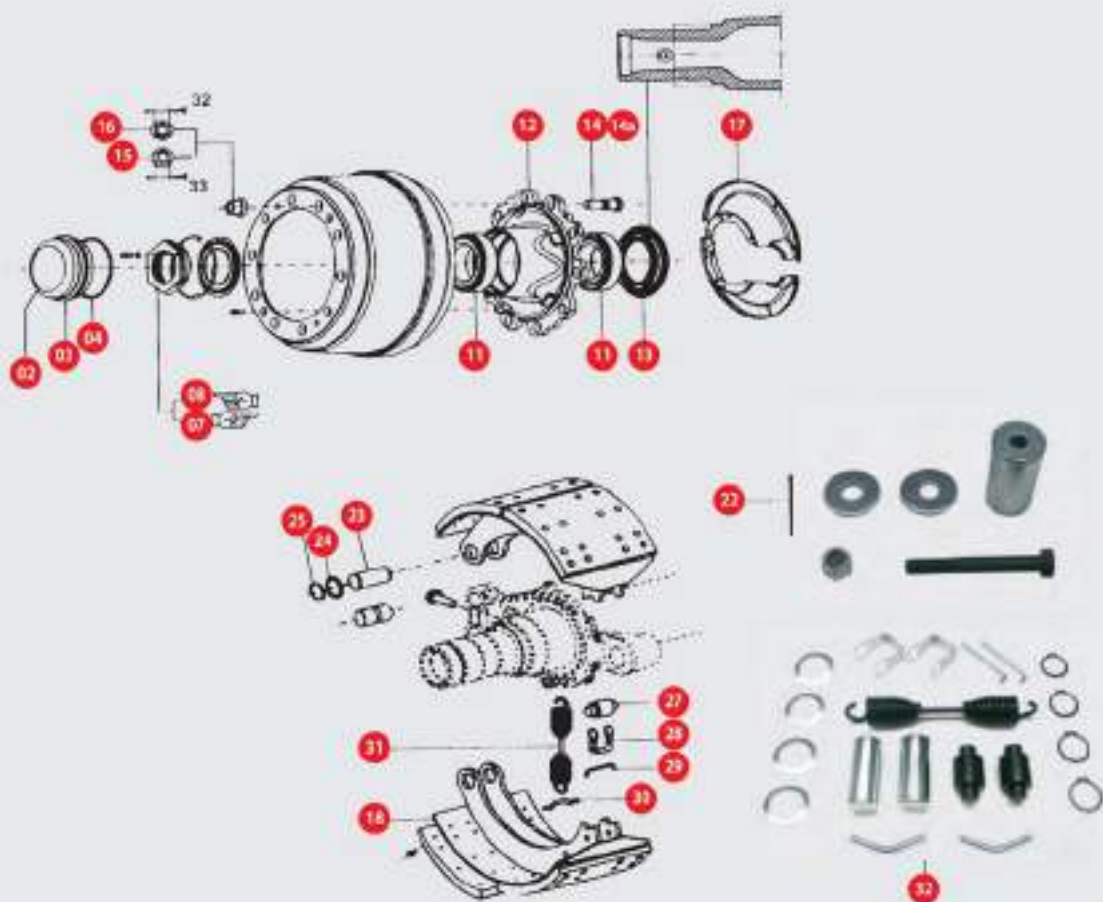
14.02.36

Para To fit

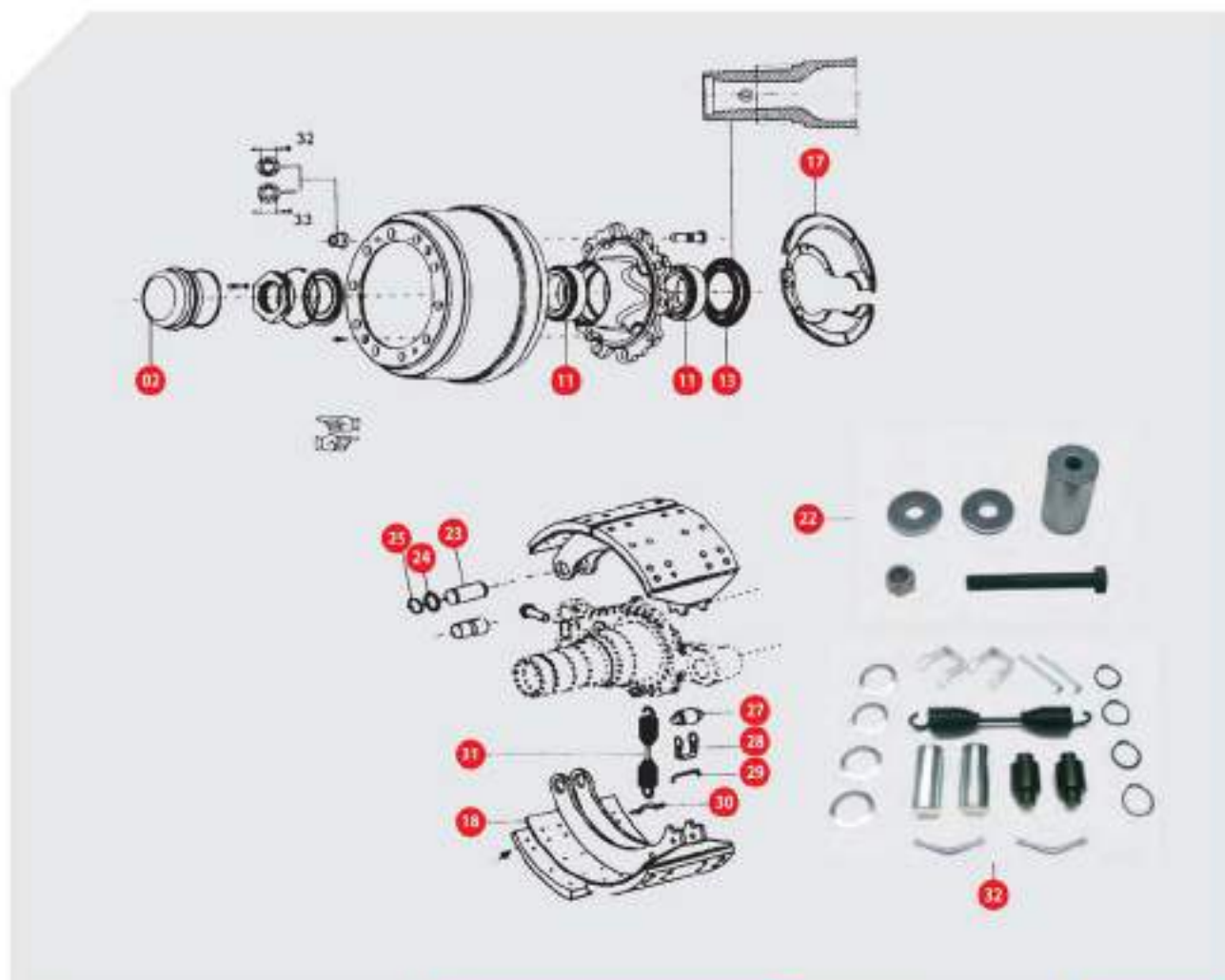
Ref. Original

M100861

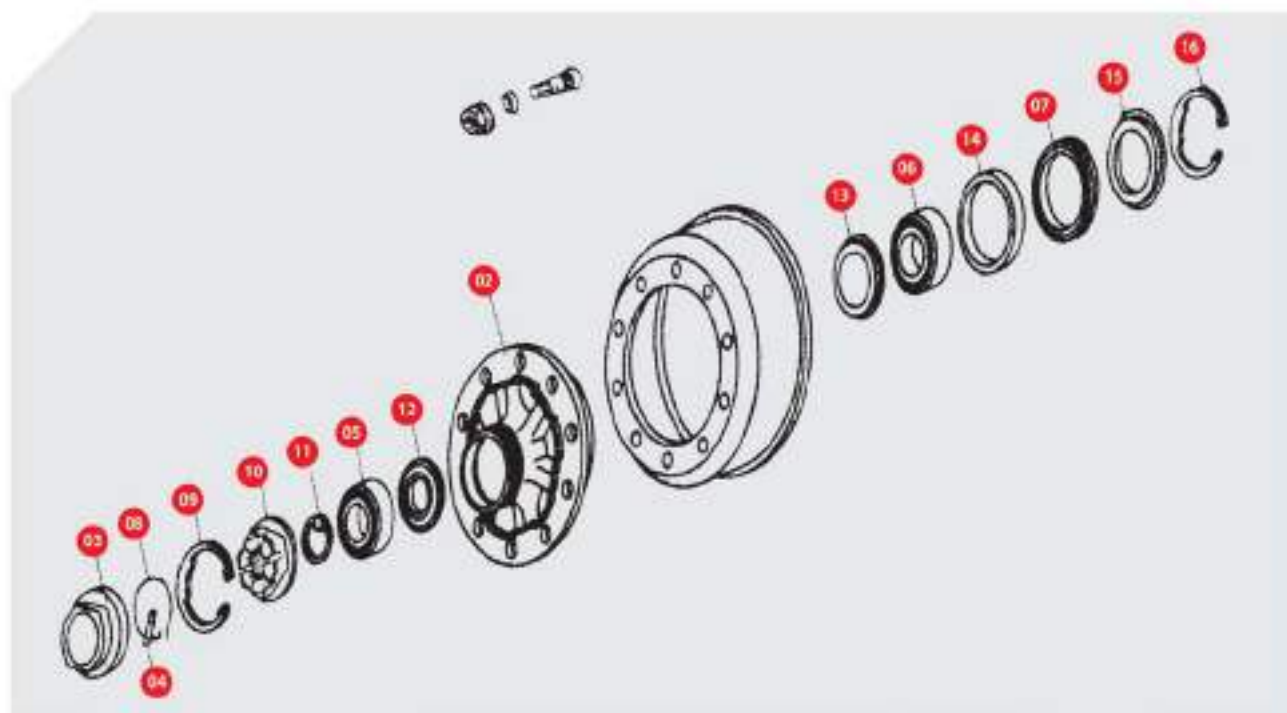
SMB C1, C2, C3, C5



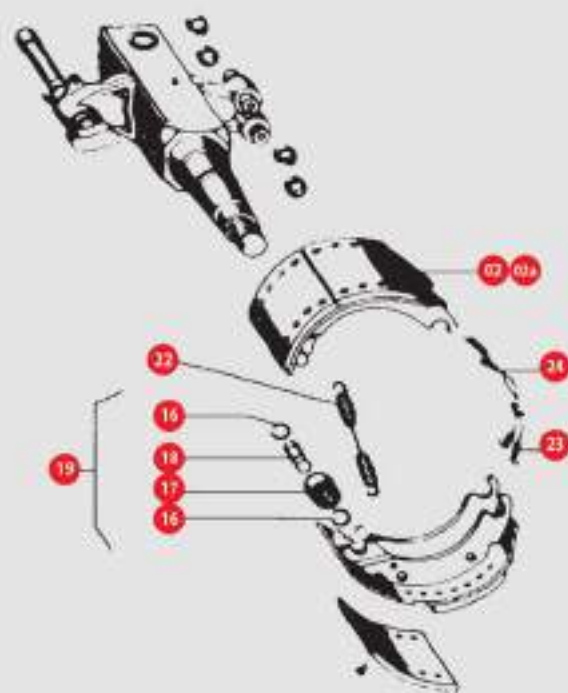
| N.º | Designación | Designation | C1 Ref. Onyarbi | C2 Ref. Onyarbi | C3 Ref. Onyarbi | C5 Ref. Onyarbi | Ref. Original |
|-------|-------------------------------------|-------------------------|--------------------|--------------------|--------------------|--------------------|----------------|
| 02 | Tapacubos+Junta tórica | Hub cap c/w O ring | 14.02.39 | 14.02.39 | 14.02.39 | 14.02.39 | M050872 |
| 03 | Tapacubos de aluminio | Hub cap aluminium | 14.02.13 | 14.02.13 | 14.02.13 | - | M044554 |
| 04 | Retén tapacubos | Retainer | 14.02.33 | 14.02.33 | 14.02.33 | - | M044570 |
| 07 | Tuerca eje dcha. | Lock nut right | 14.02.11 | 14.02.11 | 14.02.11 | - | M002304 |
| 08 | Tuerca eje izda. | Lock nut left | 14.02.11.1 | 14.02.11.1 | 14.02.11.1 | - | M007916 |
| 11 | Rodamientos int.-ext. | Bearing out/in | 80.07.01 | 80.07.01 | 80.07.01 | 80.07.01 | M003168 |
| 12 | Buje rueda | Hub | 14.02.27 | 14.02.27 | - | - | M007851 |
| 13 | Retén junta estanqueidad 100 ramras | Oil seal | 80.09.02 | 80.09.02 | - | - | M010498 |
| 14 | Tomillo rueda M-22x1,5 L84 | Wheel bolt M-22x1,5 L84 | 70.01.57 | 70.01.57 | 70.01.57 | 70.01.57 | M003133 |
| 14a | Tomillo rueda M-22x1,5 L99 | Wheel bolt M-22x1,5 L99 | 70.01.58 | 70.01.58 | 70.01.58 | 70.01.58 | M006891 |
| 15 | Tuerca (33mm) | Wheel nut (33mm) | 80.01.21.1 | 80.01.21.1 | 80.01.21.1 | 80.01.21.1 | M003141 |
| 16 | Tuerca (32mm) | Wheel nut (32mm) | 80.01.21 | 80.01.21 | 80.01.21 | 80.01.21 | M012571 |
| 17 | Faldón del eje | Dust cover (pair) | 14.02.12 | - | - | - | M010544 |
| 18 | Mordaza de freno (419x203) | Brake shoe (419x203) | 14.02.19 | - | - | - | M006093 |
| 18 | Mordaza de freno (419x178) | Brake shoe (419x178) | - | 14.02.18 | - | - | M006204 |
| 22 | Kit eje de mordaza | Kit anchor pin | 14.02.20 | 14.02.20 | 14.02.20 | 14.02.20 | - |
| 23 | Eje de mordaza | Anchor pin | 14.02.14 | 14.02.14 | 14.02.14 | 14.02.14 | M002866 |
| 24 | Arandela 32.8x44x1.5 (cincada) | Washer (32.8x44x1.5) | 80.02.26 | 80.02.26 | 80.02.26 | 80.02.26 | M002890 |
| 25 | Circlo E-32 DIN-471 | Clip pin E-32 DIN-471 | 80.05.01 | 80.05.01 | 80.05.01 | 80.05.01 | M003087 |
| 27 | Rodillo | Cam roller | 14.02.16 | 14.02.16 | 14.02.16 | 14.02.16 | M002971 |
| 28+29 | Kit retén+eje | Kit cam roller clip | 14.02.24 | 14.02.24 | 14.02.24 | 14.02.24 | M002963/M00300 |
| 30 | Eje del muelle | Pin release spring | 14.02.17 | 14.02.17 | 14.02.17 | 14.02.17 | M002998 |
| 31 | Muelle zapata 210x162x30 | Brake spring 210x162x30 | 80.03.20 | 80.03.20 | 80.03.20 | 80.03.20 | M002874 |
| 32 | Kit rep. 2 zapatas lun | Brake shoe kit | 14.02.21 | 14.02.21 | - | 14.02.21 | M0092792 |



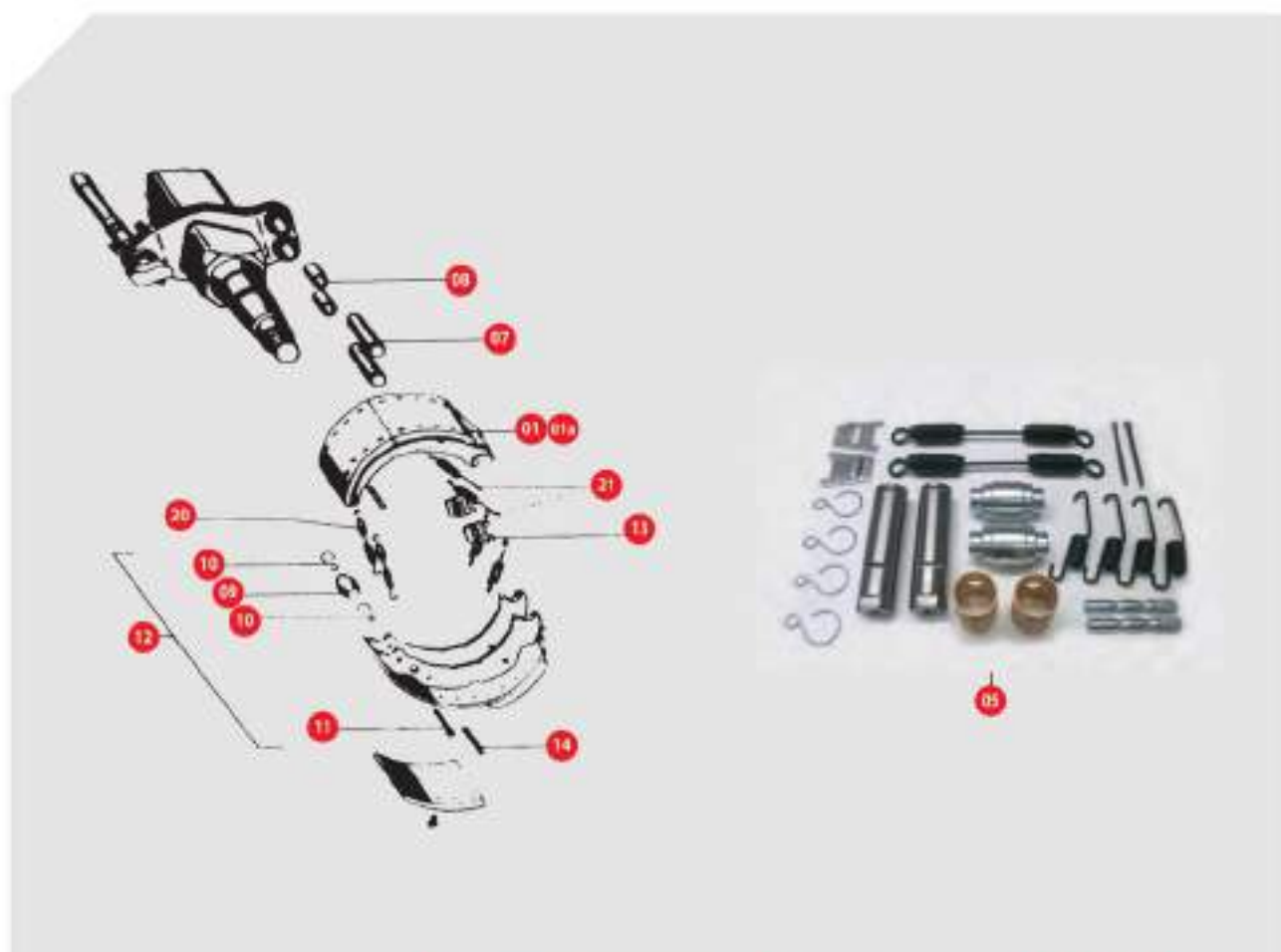
| N.º | Designación | Designation | L1 Ref. Onyarbi | L2 Ref. Onyarbi | Ref. Original |
|-------|--------------------------------------|-------------------------|--------------------|--------------------|----------------|
| 02 | Tapacubos+Junta tórica | Hub cap c/w O ring | 14.02.39 | 14.02.39 | M050872 |
| 11 | Rodamientos int.-ext. | Bearing out/in | 80.07.01 | 80.07.01 | M003168 |
| 13 | Retón junta estanqueidad 100 ranuras | Oil seal | 80.09.02 | 80.09.02 | M010498 |
| 17 | Faldón del eje | Dust cover (pair) | 14.02.12 | - | M010544 |
| 18 | Mordaza de freno (419x203) | Brake shoe (419x203) | 14.02.19 | - | M006093 |
| 18 | Mordaza de freno (419x178) | Brake shoe (419x178) | - | 14.02.18 | M006201 |
| 22 | Kit eje de mordaza | Kit anchor pin | 14.02.20 | 14.02.20 | - |
| 23 | Eje de mordaza | Anchor pin | 14.02.14 | 14.02.14 | M002866 |
| 24 | Arandela 32,8x44x1,5 cincada | Washer 32,8x44x1,5 | 80.02.26 | 80.02.26 | M002890 |
| 25 | Circlip E-32 DIN-471 | Clip pin E-32 DIN-471 | 80.05.01 | 80.05.01 | M003087 |
| 27 | Rodillo | Cam roller | 14.02.16 | 14.02.16 | M002971 |
| 28+29 | Kit retén+eje | Kit cam roller clip | 14.02.24 | 14.02.24 | M002963/M00300 |
| 30 | Eje del muelle | Pin release spring | 14.02.17 | 14.02.17 | M002998 |
| 31 | Muelle zapata 210x162x30 | Brake spring 210x162x30 | 80.03.20 | 80.03.20 | M002874 |
| 32 | Kit rep. 2 zapatas lun | Brake shoe kit | 14.02.21 | 14.02.21 | M0092792 |



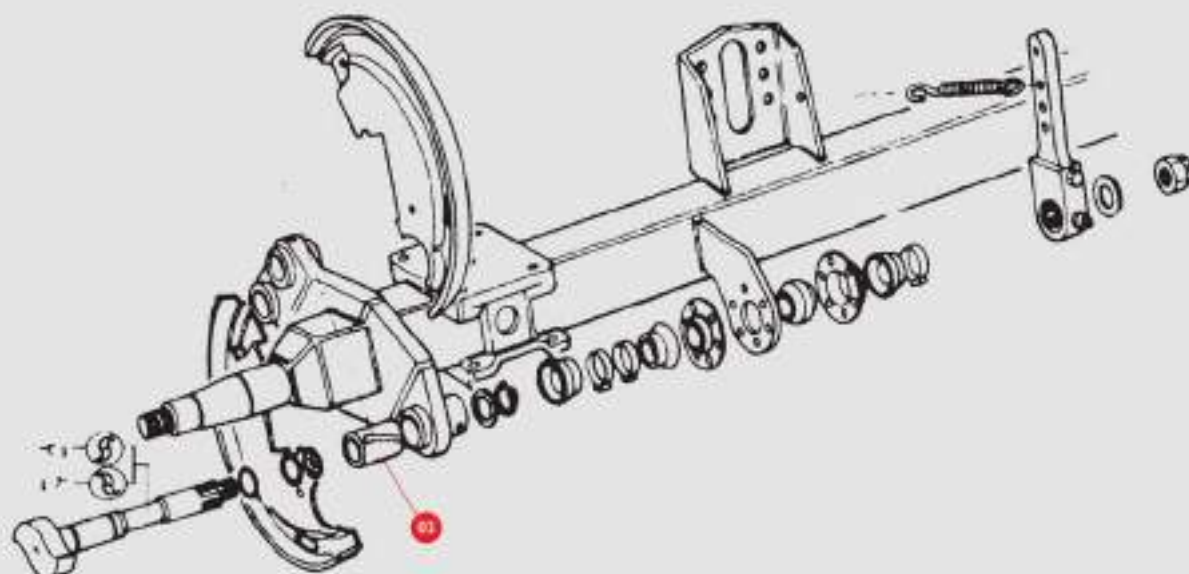
| N.º | Designación | Designation | ECO 6,5-Tm Ref. Onyarbi | ECO 10-12-Tm Ref. Onyarbi | ECO PLUS 10-12-Tm Ref. Onyarbi | Ref. Original |
|-----|-----------------------------------|-------------------------------------|-------------------------------|---------------------------------|--------------------------------------|---------------|
| 02 | Buje de rueda | Hub | 30.02.40 | - | - | 0327230870 |
| 02 | Buje de rueda | Hub | - | 30.02.36 | - | 0327248780 |
| 02 | Buje de rueda | Hub | - | - | 30.02.51 | 0327243120 |
| 03 | Tapacubos | Hub cap | 30.02.70 | - | - | 0321224250 |
| 03 | Tapacubos | Hub cap | - | 30.02.71 | - | 0321225800 |
| 04 | Pasador para circlip diam. 8x35 | Circlip bolt 8x35 | 30.02.58 | 30.02.58 | - | 0308471170 |
| 05 | Rodamiento exterior | Outer bearing | 80.07.05 | - | - | 0264063000 |
| 05 | Rodamiento exterior | Outer bearing | - | 80.07.08 | - | 026407650 |
| 06 | Rodamiento interior | Inner bearing | 80.07.06 | - | - | 0264088000 |
| 06 | Rodamiento interior | Inner bearing | - | 80.07.07 | - | 0264089000 |
| 07 | Retén aceite 115x137x8 | Oil seal 115x137x8 | 80.09.10 | - | - | 0256645700 |
| 07 | Retén aceite 135x156,7x8 | Oil seal 135x156,7x8 | - | 80.09.11 | - | 0256645800 |
| 08 | Alambre del circlip 54x2 | Circlip 54x2 | 30.02.65 | - | - | 0318803060 |
| 08 | Circlip 66x2 | Circlip 66x2mm | - | 30.02.57 | - | 0318804080 |
| 09 | Circlip F105 DIN 472 | Circlip f-105 DIN 472 | 80.05.17 | - | - | 0256061290 |
| 09 | Circlip F125 DIN 472 | Circlip f-125 DIN 472 | - | 80.05.15 | - | 0256062290 |
| 10 | Tuerca del eje M-42x2 SW85/110 | Axle nut M-42x2 SW85/110 | 30.02.64 | - | - | 0326646020 |
| 10 | Tuerca del eje M-52x2 SW80 | Axle nut M-52x2 SW80 | - | 30.02.56 | - | 0326647030 |
| 11 | Arandela de bloqueo 43/61x5,8 | Blocking washer 43/61x5,8 | 30.02.67 | - | - | 0332073130 |
| 11 | Arandela de bloqueo 53/76x5,8 | Blocking washer 53/76x5,8 | - | 30.02.59 | - | 0332064010 |
| 12 | Arandela conformada 53/98x10 | Thrust washer 53/98x8 | 30.02.68 | - | - | 0337025160 |
| 12 | Arandela conformada (68x108x9,5) | Washer (71x108x9,5) | - | 30.02.63 | - | 0337026220 |
| 13 | Faldón 84/129x5,5 | Dust cover 84/129x5,5 | 30.02.66 | - | - | 0301093330 |
| 13 | Faldón 94/149/5,5 | Dust cover 94/149/5,5 | - | 30.02.61 | - | 0301093340 |
| 14 | Anillo cubre-retén 131/140x12,5 | Ring 131/140x12,5 | 30.02.69 | - | - | 0256836200 |
| 14 | Anillo cubre-retén 151/160x12,5 | Oil seal covering ring 151/160x12,5 | - | 30.02.62 | - | 0256836300 |
| 15 | Arandela conformada 86/115/139x22 | Thrust washer 86/115/139x22 | 30.02.75 | - | - | 0337007000 |
| 15 | Anillo porta retén 96x159x22 | Oil seal ring (96x159x22) | - | 30.02.60 | - | 0337007620 |
| 16 | Circlip 140x4 DIN 472 | Circlip f-140x4 DIN 472 | 80.05.18 | - | - | 0256064090 |
| 16 | Circlip F-160 DIN 472 | Circlip f-160 DIN 472 | - | 80.05.16 | - | 0256066090 |



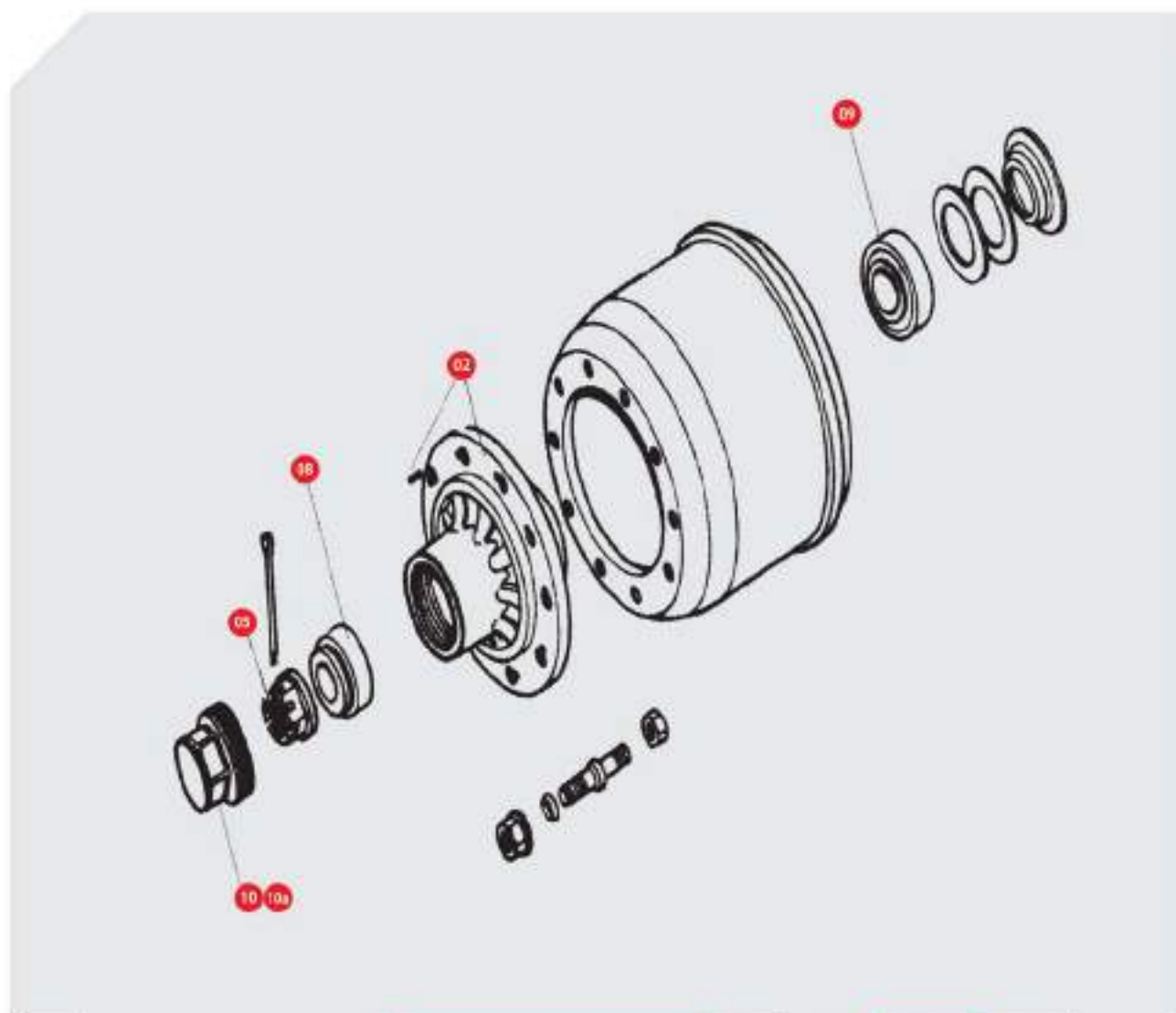
| N.º | Designación | Designation | ECO Freno >95 Ref. Onyarbi | Ref. Original |
|-----|--------------------------------------|---|-------------------------------|-----------------|
| 02 | Zapata montada con rodillo (420x180) | Brake shoe assembly with roller kit (420x180) | 30.02.41.1 | 0509146170 |
| 02a | Zapata (420x200) montada con rodillo | Brake shoe assembly with roller kit (420x200) | 30.02.42.1 | 0509127830 |
| 06 | Kit rep. 2 zapatas (420x180/200) | Brake shoe kit (420x180/200) | 30.02.49.2 | - |
| 16 | Anillo (24x31x7) | Cam roller clip (24x31x7) | 30.02.31 | 0331070150 |
| 17 | Eje rodillo (26x58,5) | Anchor pin (26x58,5) | 30.02.29 | 0308475240 |
| 18 | Rodillo con casquillo (26/45x33,5) | Roller (26/45x33,5) | 30.02.30 | 0533144020 |
| 19 | Kit rodillo | Kit cam roller | 30.02.19 | 0308475240/0533 |
| 22 | Muelle zapata | Spring | 80.03.50 | 0539758030 |
| 23 | Muelle retención | Spring | 80.03.51 | 0339733060 |
| 24 | Muelle retención | Spring | 80.03.52 | 0339733070 |



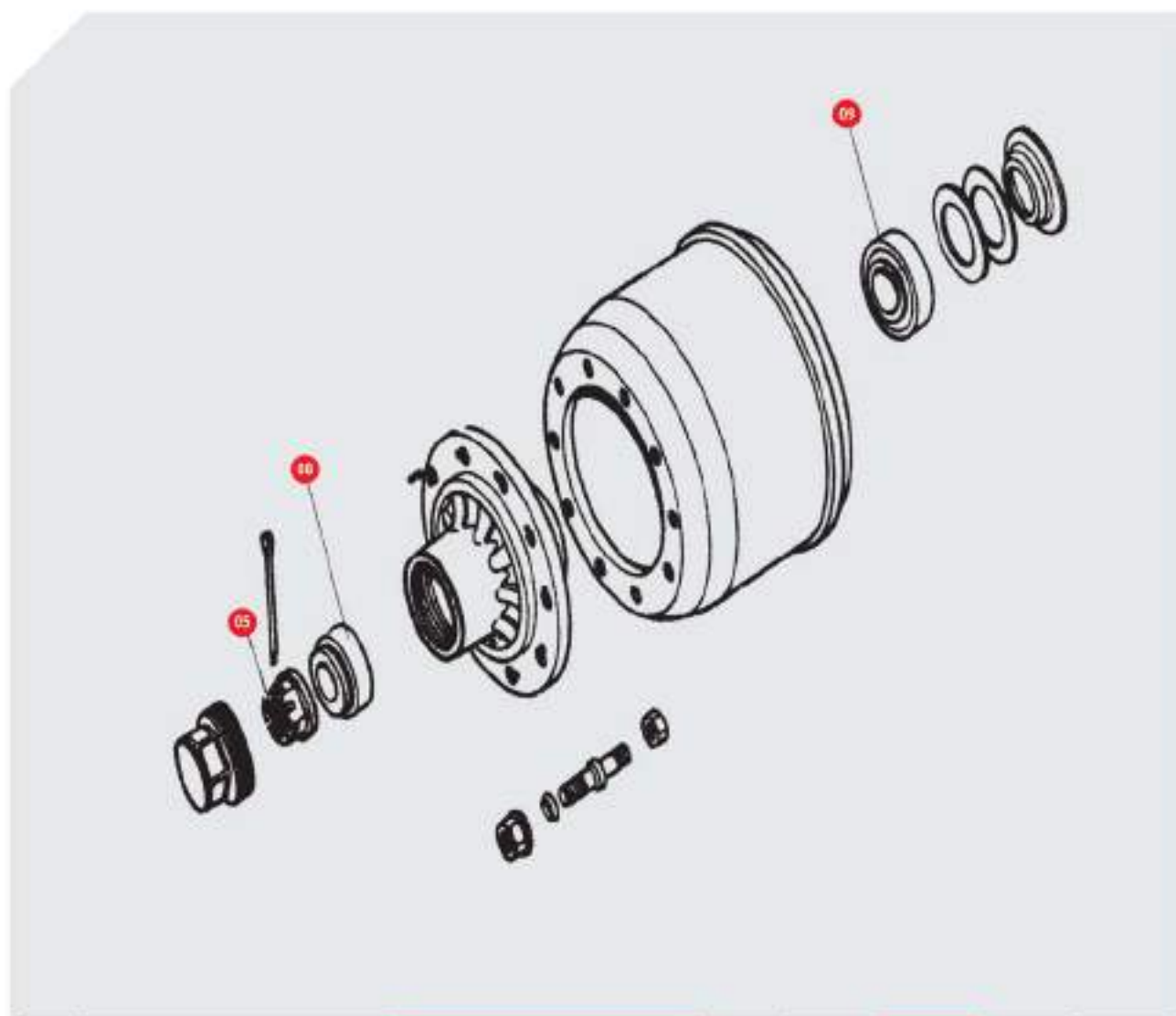
| N.º | Designación | Designation | H Freno <95 Ref. Onyarbi | K Freno <95 Ref. Onyarbi | N Freno <95 Ref. Onyarbi | Ref. Original |
|-----|--------------------------------|--------------------------------------|-----------------------------|-----------------------------|-----------------------------|---------------|
| 01 | Zapata (420x180) con rodillo | Brake shoe (420x180) with cam roller | 30.02.08.1 | - | - | 0509126642 |
| 01a | Zapata (420x200) con rodillo | Brake shoe (420x200) with cam roller | 30.02.09.1 | - | - | 0509127542 |
| 05 | Kit rep. 2 zapatas H-flotantes | Brake shoe kit | 30.02.17 | - | - | - |
| 07 | Eje de zapata (36x135) | Anchor pin (36x135) | 30.02.07 | 30.02.07 | - | 0308446220 |
| 08 | Casquillo (36x40x60) | Bush-anchor pin (36x40x60) | 30.02.12 | 30.02.12 | 30.02.12 | 0311233080 |
| 09 | Rodillo (26/42x78) | Roller (26/42x78) | 30.02.03 | 30.02.03 | - | 0333134050 |
| 10 | Retén de rodillo | Clip cam roller | 30.02.13 | 30.02.13 | - | 0335000130 |
| 11 | Pasador aleta (8,3x90/94) | Drive pin (6,3x90/94) | 80.04.04 | 80.04.04 | 80.04.04 | 0262016603 |
| 12 | Kit de rodillo | Cam roller kit | 30.02.74 | 30.02.74 | - | 0980102100 |
| 13 | Plaqueta | Shaped plate | 30.02.16 | - | - | 0316723020 |
| 14 | Eje de muelle | Grooved dowel pin | 30.02.14 | - | 30.02.14 | 0300108050 |
| 20 | Muelle de retención | Return spring | 80.03.24 | - | - | 0339734100 |
| 21 | Muelle de retención | Return spring | 80.03.23 | - | 80.03.23 | 0539744060 |



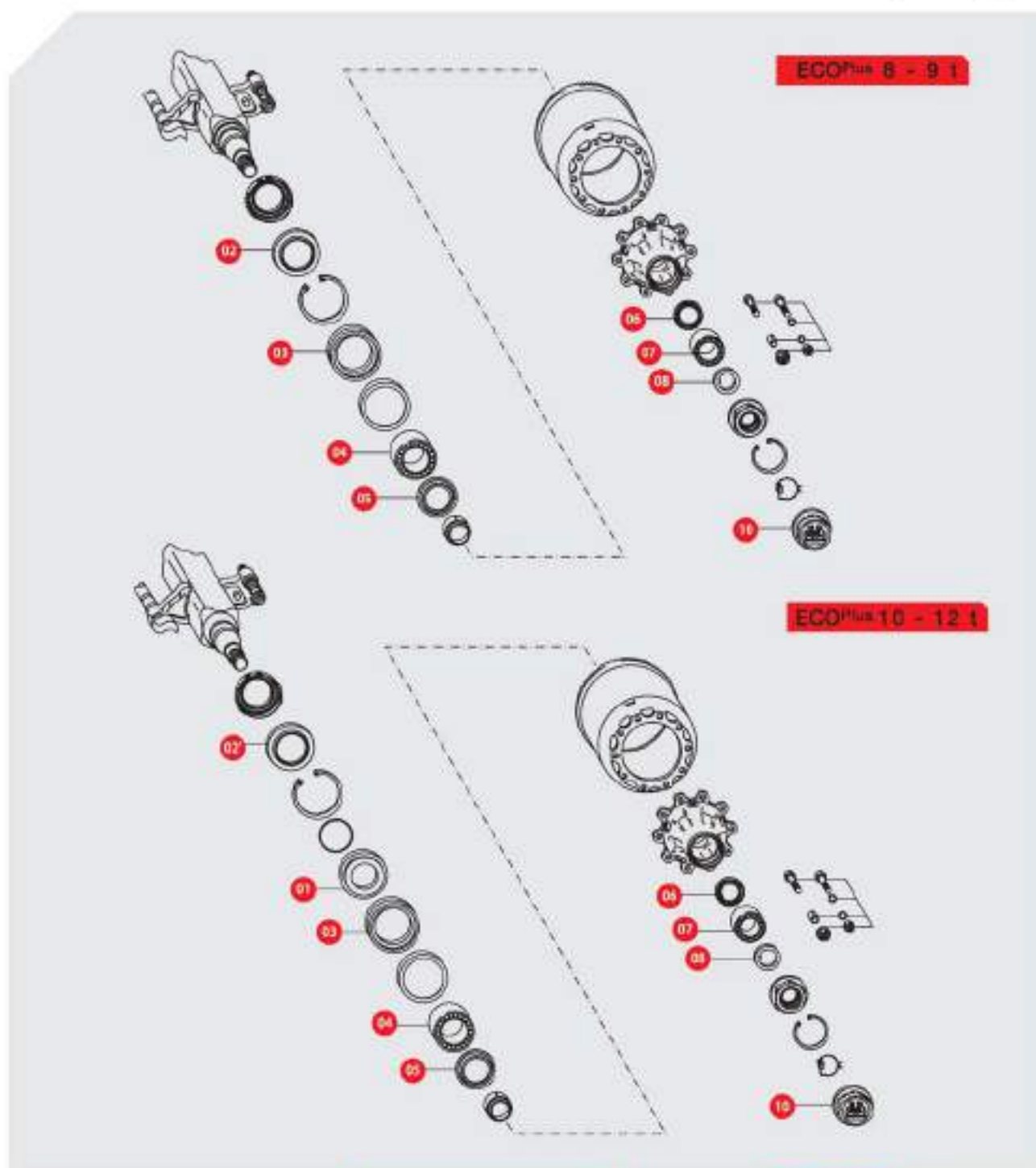
| N.º | Designación | Designation | N Leva Ref. Onyarbi | Ref. Original |
|-----|--------------------------------|-------------------------------|------------------------|---------------|
| | Kit de leva reducido | Camshaft repair kit | 30.02.46 | 0980100142 |
| | Kit de reparación de leva | Camshaft repair kit | 30.02.47 | 0311244300SP |
| 03 | Casquillo de bronce (42x46x73) | Bush (42x46x73) | 30.02.73 | 0311244340 |
| 11 | Palanca manual 4 agujeros | Manual slack adjuster 4 holes | 30.02.52 | 0517452810 |
| 12 | Palanca manual 7 agujeros | Manual slack adjuster 7 holes | 30.02.53 | 0517465130 |
| 13 | Palanca freno automática | Automatic slack adjuster | 80.14.38 | 0517482212 |
| 14 | Kit reparación leva | Camshaft repair kit | 30.02.84 | 0980106091 |



| N.º | Designación | Designation | EH 10-12 Tm Ref. Onyarbi | EH 14 Tm Ref. Onyarbi | EH 6,5-9 Tm Ref. Onyarbi | HR 10-12 Tm Ref. Onyarbi | Ref. Original |
|-----|---------------------|---------------|--------------------------------|-----------------------------|--------------------------------|--------------------------------|---------------|
| 02 | Buje de rueda | Hub | 30.02.33 | - | - | - | 0327248330 |
| 02 | Buje de rueda | Hub | - | 30.02.35 | - | - | 0327262210 |
| 02 | Buje de rueda | Hub | - | - | 30.02.38 | - | 0327230620 |
| 02 | Buje de rueda | Hub | - | - | - | 30.02.34 | 0327248460 |
| 05 | Tuerca del eje | Axle nut | - | - | 30.02.01 | - | 0326216080 |
| 08 | Rodamiento exterior | Outer bearing | 80.07.15 | - | - | - | 0264078500 |
| 08 | Rodamiento exterior | Outer bearing | - | - | 80.07.05 | - | 0264065000 |
| 08 | Rodamiento exterior | Outer bearing | - | - | - | 80.07.08 | 0264076500 |
| 09 | Rodamiento exterior | Outer bearing | 80.07.08 | - | - | - | 0264076500 |
| 09 | Rodamiento interior | Inner bearing | - | - | 80.07.06 | - | 0264088000 |
| 09 | Rodamiento interior | Inner bearing | - | - | - | 80.07.07 | 0264089000 |
| 10 | Tapacubos | Hub cap | 30.02.83 | - | 30.02.83 | - | 0321223090 |
| 10a | Tapacubos | Hub cap | - | 30.02.82 | - | 30.02.82 | 0321224070 |



| N.º | Designación | Designation | KR 6,5-9 Tm Ref. Oryarbi | KR 10-12 Tm Ref. Oryarbi | NR 6,5-9 Tm Ref. Oryarbi | NR 10-12 Tm Ref. Oryarbi | Ref. Original |
|-----|---------------------|---------------|--------------------------------|--------------------------------|--------------------------------|--------------------------------|---------------|
| 05 | Tuerca del eje | Axle nut | 30.02.01 | - | - | - | 0326216080 |
| 08 | Rodamiento exterior | Outer bearing | 80.07.05 | - | 80.07.05 | - | 0264065000 |
| 08 | Rodamiento exterior | Outer bearing | - | 80.07.08 | - | 80.07.08 | 026407650 |
| 09 | Rodamiento interior | Inner bearing | 80.07.06 | - | 80.07.06 | - | 0264088000 |
| 09 | Rodamiento interior | Inner bearing | - | 80.07.07 | - | 80.07.07 | 0264089000 |



| N.º | Designación | Designation | ECOPLUS 8-9T. Ref. Onyarbi | ECOPLUS 10-12T. Ref. Onyarbi | Ref. Original |
|-----|------------------------|-------------------|----------------------------------|------------------------------------|---------------|
| 01 | Arandela de empuje CPL | Thrust washer CPL | - | 30.02.90 | 0537007730 |
| 02 | Betén de cierre | Dirt seal | 30.02.88 | - | 0312048150 |
| 03 | Betén de aceite | Seal | 80.09.16 | 80.09.16 | 0256847400 |
| 04 | Bodamiento | Roller bearing | 80.07.07 | 80.07.07 | 33118 |
| 05 | Faldón | Dust cover | 30.02.61 | 30.02.61 | 0391093340 |
| 06 | Arandela de empuje | Thrust washer | 30.02.63 | 30.02.63 | 0337026240 |
| 07 | Bodamiento | Roller bearing | 80.07.08 | 80.07.08 | 026407650 |
| 08 | Arandela | Washer | 30.02.59 | 30.02.59 | 0332064010 |
| 02' | Betén de cierre | Seal | - | 30.02.89 | 0312045180 |
| 10 | Tapacubos | Hub cap | 30.02.85 | 30.02.85 | 0321225310 |

Freno/Tambor (Kit Reparación) Brake/Drum (Rep. Kit)

Kit Rodillo de Zapata Brake Shoe Roller Kit



Ref. Onyarbi 30.02.74 Para To fit
Ref. Original 0980102100S **BPW** HR

Kit Reparación Rodamiento Kit Rep. Roller Bearing



Ref. Onyarbi 30.02.76 Para To fit
Ref. Original 0980102330S **BPW** ECO 6,5-9 Tm

Kit Reparación Rodamiento Kit Rep. Roller Bearing



Ref. Onyarbi 30.02.77 Para To fit
Ref. Original 0980102340S **BPW** ECO 10-12 Tm

Kit Eje de Zapata Bolt Brake Shoe Kit



Ref. Onyarbi 30.02.78 Para To fit
Ref. Original 0908446360 **BPW** H FRENO<95

Kit Reparación 2 Levas 2 Camshaft Repair Kit



Ref. Onyarbi 30.02.79 Para To fit
Ref. Original 0980102220 **BPW** HR

Kit Reparación de Zapata Brake Shoe Kit



Ref. Onyarbi 30.02.18 Para To fit
Ref. Original **BPW** HR

Freno/Tambor (Kit Reparación) Brake/Drum (Rep. Kit)

Kit Rodillo Sistema ECO ECO Brake Shoe Rep. Kit



| | | | |
|---------------|----------|-------------|-----|
| Ref. Onyarbi | 30.02.19 | Para To fit | |
| Ref. Original | - | BPW | ECO |

Kit Reparación de Zapata Brake Shoe Kit



| | | | |
|---------------|----------|-------------|-----------|
| Ref. Onyarbi | 30.02.20 | Para To fit | |
| Ref. Original | - | BPW | H / K / N |

Kit Reparación de Leva Camshaft Repair Kit



| | | | |
|---------------|------------|-------------|-----------|
| Ref. Onyarbi | 30.02.46 | Para To fit | |
| Ref. Original | 0980100142 | BPW | H / K / N |

Kit Reparación de Leva Camshaft Repair Kit



| | | | |
|---------------|--------------|-------------|------------|
| Ref. Onyarbi | 30.02.47 | Para To fit | |
| Ref. Original | 0311244300SP | BPW | H FRENO<95 |

Kit Rep. Buje (8-9Tn ECO Plus>10/04) Repair Kit Hub (8-9Tn ECO Plus>10/04)

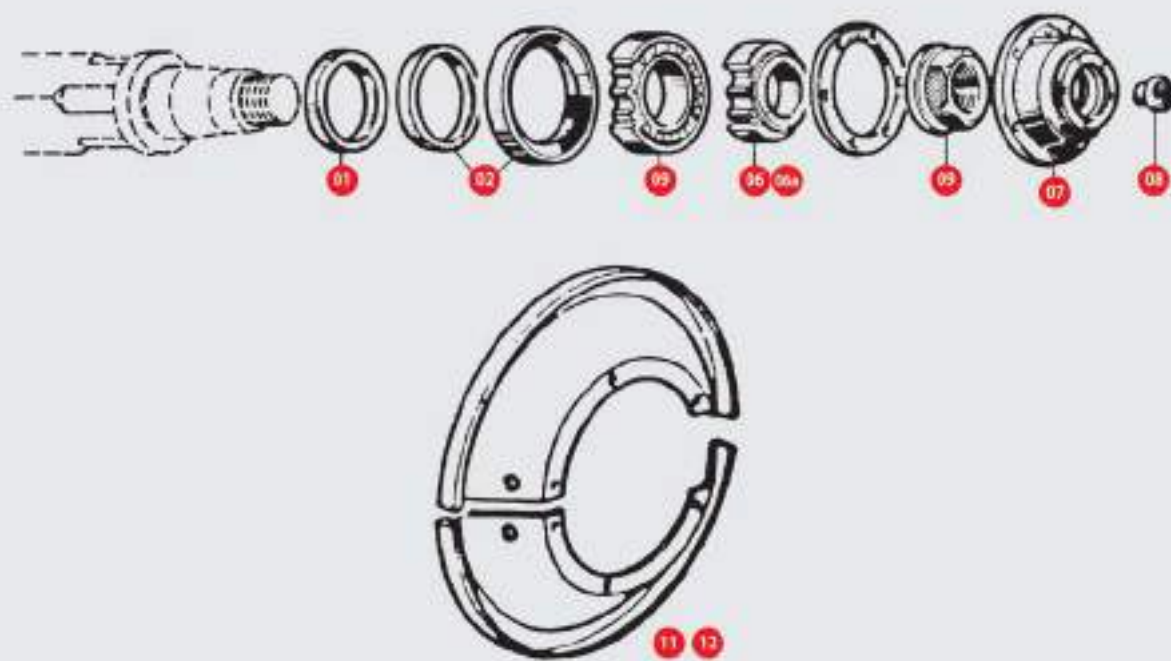


| | | | |
|---------------|------------|-------------------|--------------|
| Ref. Onyarbi | 30.02.92 | Para To fit | BPW |
| Ref. Original | 0980106260 | H.../KH...ECOPLUS | 8-9Tn.>10/04 |

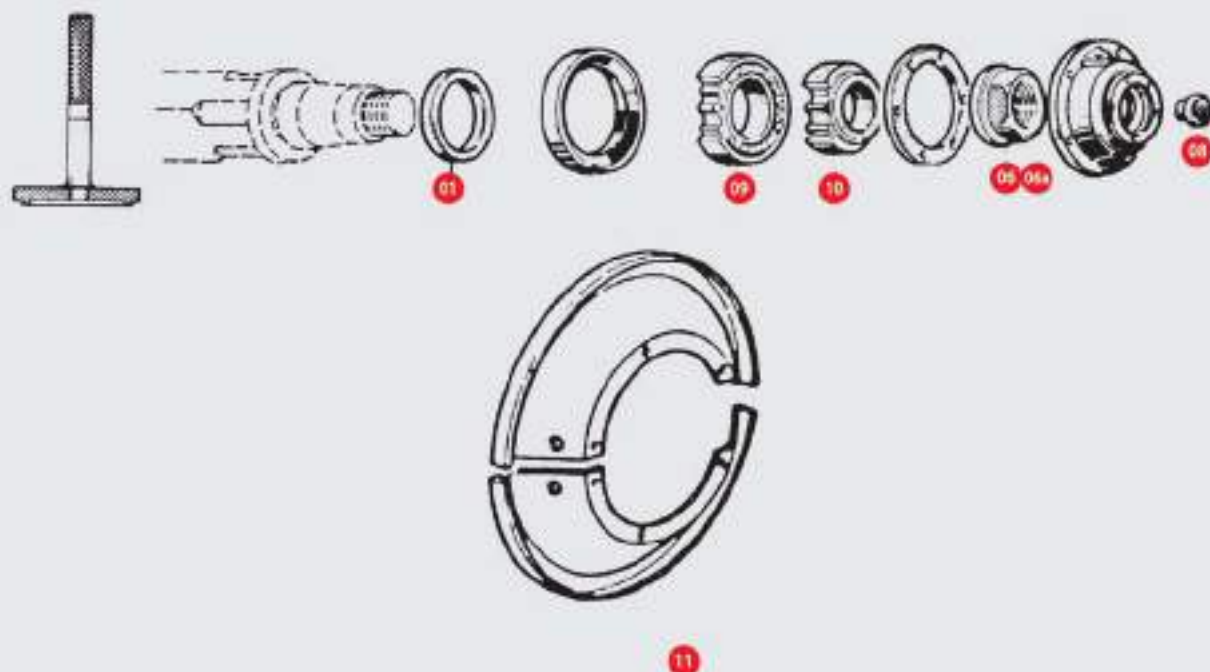
Kit Rep. Buje (10-12Tn ECO Plus>10/05) Repair Kit Hub (10-12Tn ECO Plus>10/05)



| | | | |
|---------------|------------|-------------------|----------------|
| Ref. Onyarbi | 30.02.93 | Para To fit | BPW |
| Ref. Original | 0980107040 | H.../KH...ECOPLUS | 10-12Tn.>10/05 |

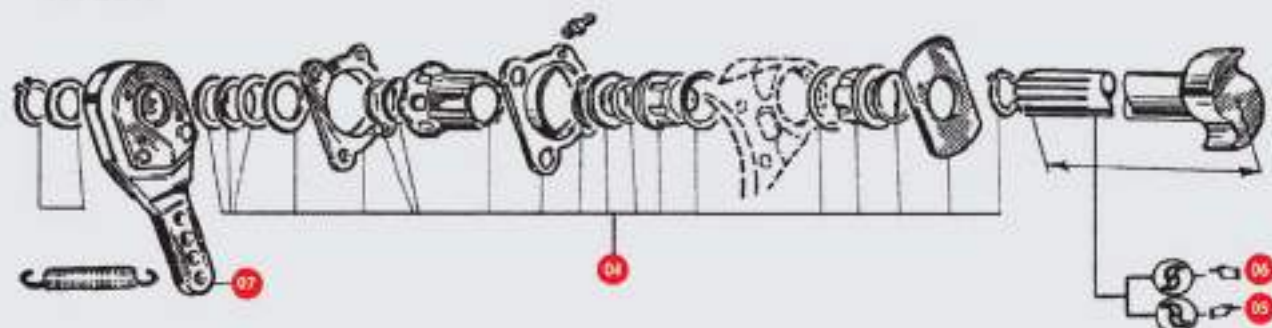


| N.º | Designación | Designation | L200 Ref. Ornyarbi | L200TEM Ref. Ornyarbi | N400 Ref. Ornyarbi | N400TEM Ref. Ornyarbi | Ref. Original |
|-----|-------------------------------|----------------------|-----------------------|--------------------------|-----------------------|--------------------------|---------------|
| | Rodamiento exterior | Outer bearing | 80.07.05 | 80.07.05 | 80.07.05 | 80.07.05 | 1706000S |
| | Rodamiento | Bearing | 80.07.11 | 80.07.11 | 80.07.11 | 80.07.11 | 1704000X |
| | Rodamiento | Bearing | 80.07.13 | 80.07.13 | 80.07.13 | 80.07.13 | 1702000A |
| | Rodamiento | Bearing | 80.07.14 | 80.07.14 | 80.07.14 | 80.07.14 | 1700000D |
| 01 | Anillo o casq. separador | Axle stop | 40.02.39 | 40.02.39 | 40.02.39 | 40.02.39 | 6066000T |
| 02 | Retén aceite | Oil seal | 80.09.04 | 80.09.04 | 80.09.04 | 80.09.04 | 6302083P |
| 06 | Tuerca del eje izda. | Axle nut L/H | 40.02.21 | 40.02.21 | 40.02.21 | 40.02.21 | 6502801E |
| 06a | Tuerca del eje dcha. | Axle nut R/H | 40.02.22 | 40.02.22 | 40.02.22 | 40.02.22 | 6502802F |
| 07 | Tapacubos de aluminio | Hub cap aluminium | 40.02.40 | 40.02.40 | 40.02.40 | 40.02.40 | 6503954M |
| 08 | Tapón tapacubos | Hub seal plug | 40.02.34 | 40.02.34 | 40.02.34 | 40.02.34 | 6024000P |
| 09 | Rodamiento interior | Inner bearing | 80.07.04 | 80.07.04 | 80.07.04 | 80.07.04 | 6014000T |
| 10 | Rodamiento exterior | Outer bearing | 80.07.03 | 80.07.03 | 80.07.03 | 80.07.03 | 6015000D |
| 11 | Kit faldones Trailor H:65 | Dust cover pair H:65 | - | - | 40.02.13/14 | - | 6502810F |
| 12 | Conjunto de guardapolvos H:75 | Dust cover H:75 | 40.02.50.60 | - | - | - | - |

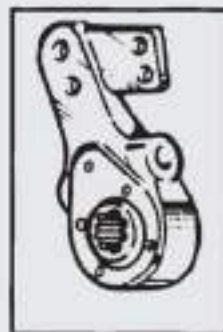
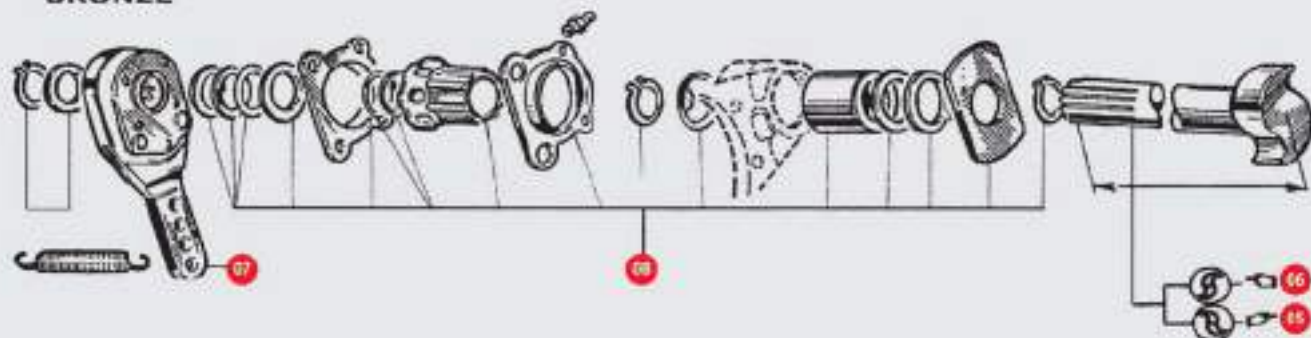


| N.º | Designación | Designation | L200 Ref. Onyarbi | L200TEM Ref. Onyarbi | N400 Ref. Onyarbi | N400TEM Ref. Onyarbi | Ref. Original |
|-----|----------------------------|----------------------|----------------------|-------------------------|----------------------|-------------------------|---------------|
| | Conjunto guardapolvos H:75 | Dust cover H:75 | 40.02.59.60 | - | - | - | - |
| | Rodamiento exterior | Outer bearing | 80.07.05 | 80.07.05 | 80.07.05 | 80.07.05 | 1706000S |
| | Rodamiento | Bearing | 80.07.11 | 80.07.11 | 80.07.11 | 80.07.11 | 1704000X |
| | Rodamiento | Bearing | 80.07.13 | 80.07.13 | 80.07.13 | 80.07.13 | 1702000A |
| | Rodamiento | Bearing | 80.07.14 | 80.07.14 | 80.07.14 | 80.07.14 | 1700000D |
| 01 | Anillo o casq. separador | Axle stop | 40.02.39 | 40.02.39 | 40.02.39 | 40.02.39 | 6066000T |
| 06 | Tuerca del eje izda. | Axle nut L/H | 40.02.21 | 40.02.21 | 40.02.21 | 40.02.21 | 6502801E |
| 06a | Tuerca del eje dcha. | Axle nut R/H | 40.02.22 | 40.02.22 | 40.02.22 | 40.02.22 | 6502802F |
| 07 | Tapacubos de aluminio | Hub cap aluminium | 40.02.40 | 40.02.40 | 40.02.40 | 40.02.40 | 6503954M |
| 08 | Tapón tapacubos | Hub seal plug | 40.02.34 | 40.02.34 | 40.02.34 | 40.02.34 | 6024000P |
| 09 | Rodamiento interior | Inner bearing | 80.07.04 | 80.07.04 | 80.07.04 | 80.07.04 | 6014000T |
| 10 | Rodamiento exterior | Outer bearing | 80.07.03 | 80.07.03 | 80.07.03 | 80.07.03 | 6015000D |
| 11 | Kit faldones Trailor H:65 | Dust cover pair H:65 | - | - | 40.02.13/14 | - | 6502810F |

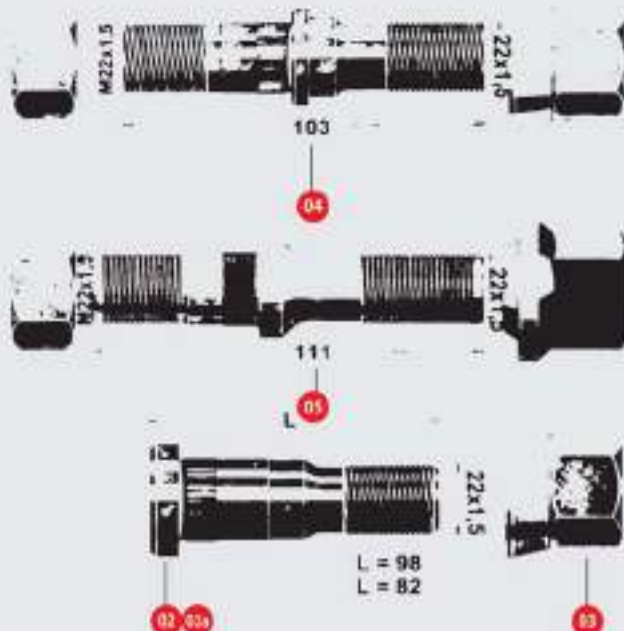
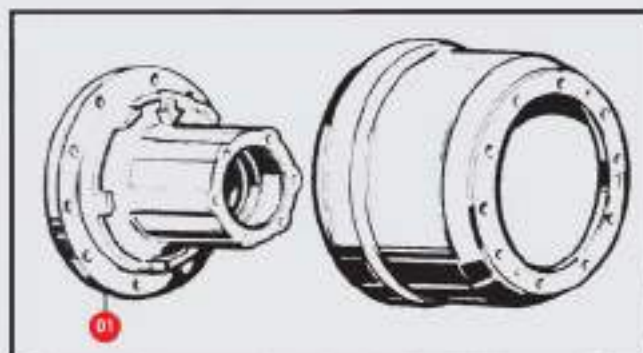
NYLON



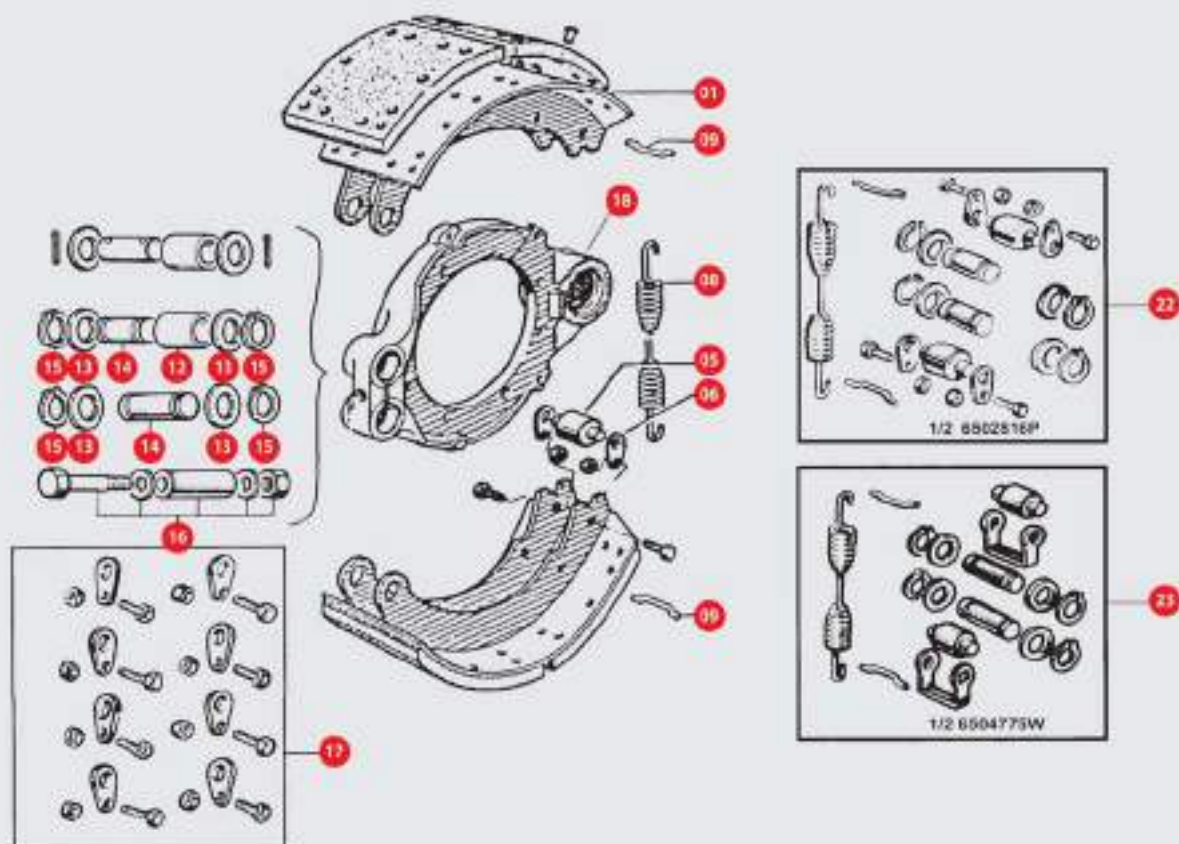
BRONZE



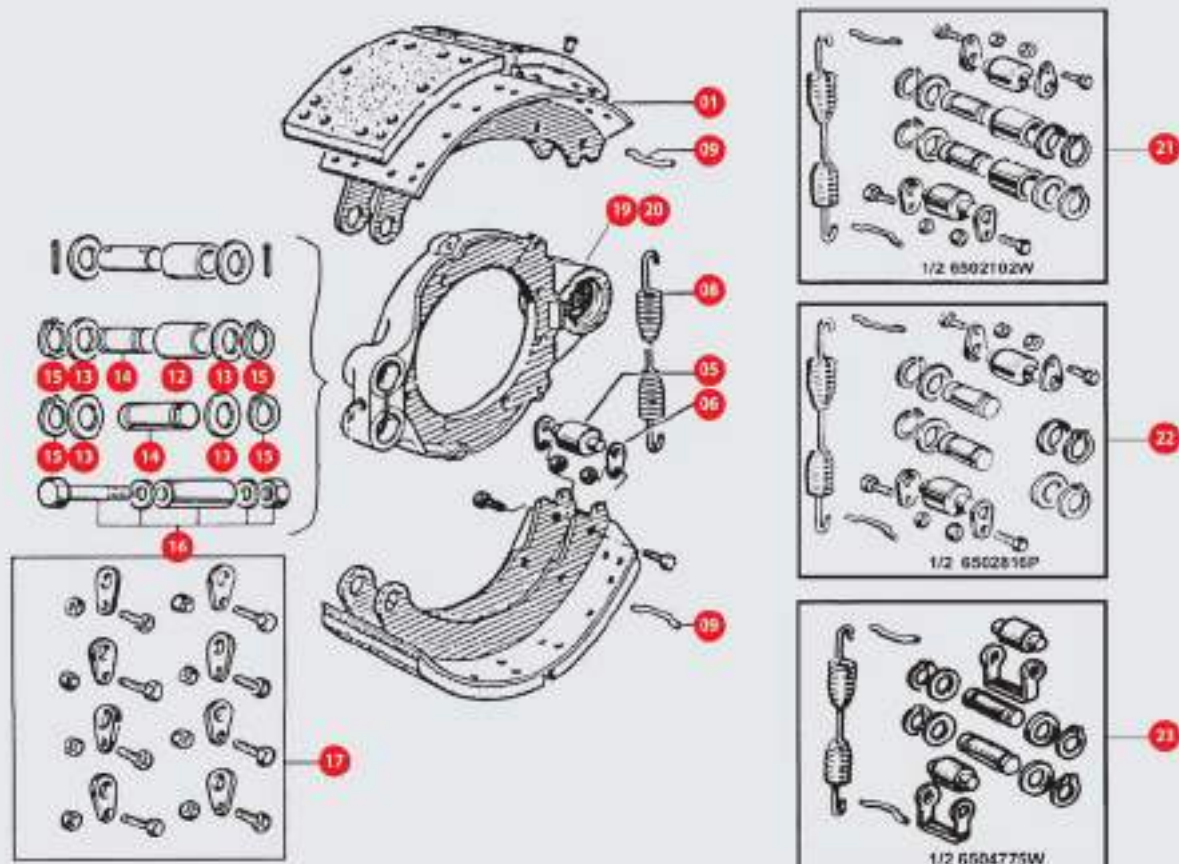
| N.º | Designación | Designation | L200 Ref. Ornyarbi | L200LUN Ref. Ornyarbi | L200TEM Ref. Ornyarbi | N400 Ref. Ornyarbi | N400LUN Ref. Ornyarbi | N400TEM Ref. Ornyarbi | Ref. Original |
|-----|--|--------------------------|-----------------------|--------------------------|--------------------------|-----------------------|--------------------------|--------------------------|----------------------|
| | Bulón | Pin | 40.02.53 | 40.02.53 | 40.02.53 | 40.02.53 | 40.02.53 | 40.02.53 | - |
| | Casquillo latón 36x30x100 | Draw-bar bush 36x30x100 | 40.02.54 | 40.02.54 | 40.02.54 | 40.02.54 | 40.02.54 | 40.02.54 | 0039220Z |
| | Tuerca M-24x1,5 DIN 985 | Nut 24x1,5 | 80.01.34 | 80.01.34 | 80.01.34 | 80.01.34 | 80.01.34 | 80.01.34 | - |
| 04 | Kit rep. 2 levas plástico. Antiguo montaje | Camshaft rep. kit | 40.02.35 | 40.02.35 | 40.02.35 | 40.02.35 | 40.02.35 | 40.02.35 | 6502103X |
| 05 | Leva de freno dcha. | Camshaft | 40.02.63 | 40.02.63 | 40.02.63 | 40.02.63 | 40.02.63 | 40.02.63 | 6503390L |
| 06 | Leva de freno izda. | Camshaft | 40.02.64 | 40.02.64 | 40.02.64 | 40.02.64 | 40.02.64 | 40.02.64 | 6503391M |
| 07 | Palanca de freno manual | Manual slack adjuster | 40.02.62 | 40.02.62 | 40.02.62 | 40.02.62 | 40.02.62 | 40.02.62 | 1670000J |
| 08 | Kit rep. 2 levas c/b. Nuevo montaje | Camshaft rep. kit | 40.02.50 | 40.02.50 | 40.02.50 | 40.02.50 | 40.02.50 | 40.02.50 | 6503723T |
| 09 | Palanca freno automática | Automatic slack adjuster | 80.14.34 | 80.14.34 | 80.14.34 | 80.14.34 | 80.14.34 | 80.14.34 | T0017649Z (80024) |



| N.º | Designación | Designation | H100 Ref. Oryarbi | L200 Ref. Oryarbi | L200TEM Ref. Oryarbi | N400 Ref. Oryarbi | N400TEM Ref. Oryarbi | Ref. Original |
|-----|-----------------------------------|------------------------------------|----------------------|----------------------|-------------------------|----------------------|-------------------------|---------------|
| 01 | Buje rueda 10 agujeros ABS | Hub Trailer | 40.02.29 | 40.02.29 | - | - | 40.02.29 | 6502795D |
| 02 | Tomillo rueda M 22x1,5 L:84 | Wheel/bolt M-22x1,5 L:84 | 70.01.57 | - | 70.01.57 | - | - | 6502788G |
| 02a | Tomillo rueda M 22x1,5 L:99 | Wheel/bolt M-22x1,5 L:99 | 70.01.58 | - | 70.01.58 | - | 70.01.58 | 6302799J |
| 03 | Tuerca (33mm) | Wheel/nut (33mm) | 80.01.21.1 | 80.01.21.1 | 80.01.21.1 | 80.01.21.1 | 80.01.21.1 | 6497000L |
| 04 | Espárrago M-22x1,5/M-22x1,5 L:103 | Wheel/bolt M-22x1,5/M-22x1,5 L:103 | 70.01.35 | - | - | - | - | 6496900Z |
| 05 | Espárrago M-22x1,5/M-22x1,5 L:111 | Wheel/bolt M-22x1,5/M-22x1,5 L:111 | 70.01.34 | - | - | 70.01.34 | - | 8011000L |



| N.º | Designación | Designation | L200 Ref. Onyarbi | L200LUN Ref. Onyarbi | L200TEM Ref. Onyarbi | Ref. Original |
|-----|------------------------------|-------------------------|----------------------|-------------------------|-------------------------|---------------|
| 01 | Zapata 419x178 | Brake shoe 419x178 | 40.02.46 | - | - | 1649000R |
| 05 | Rodillo de zapata 31,75 | Cam roller 31,75 | 40.02.30 | 40.02.30 | 40.02.30 | 1642000S |
| 06 | Plaqueta de rodillo | Retaining plate | 40.02.41.1 | 40.02.41.1 | 40.02.41.1 | 6500800C |
| 08 | Muelle zapata 210x162x30 | Brake spring 210x162x30 | 80.03.20 | 80.03.20 | 80.03.20 | 1643000C |
| 09 | Pasador muelle retorno | Pin release spring | 40.02.31 | 40.02.31 | 40.02.31 | 1646000J |
| 12 | Casquillo anclaje zapata | Bush anchor pin | 40.02.48 | 40.02.48 | 40.02.48 | 1650000S |
| 13 | Arandela 32,8x44x1,5 cincada | Washer 32,8x44x1,5 | 80.02.26 | 80.02.26 | 80.02.26 | 1651000C |
| 14 | Eje de zapata a circlips | Anchor pin | 40.02.33 | 40.02.33 | 40.02.33 | 1632010R |
| 15 | Circlip E-32 DIN-471 | Clip pin E-32 DIN-471 | 80.05.01 | 80.05.01 | 80.05.01 | 1652020T |
| 16 | Kit balón (ancl. zap. esp) | Anchor pin kit | 40.02.37 | 40.02.37 | 40.02.37 | 21205420 |
| 17 | Kit fij. rodillo 4 zap. | Retainer cam roller | 40.02.44 | 40.02.44 | 40.02.44 | 6502101T |
| 18 | Soporte freno 145 | Anchor bracket 145 | 40.02.17 | - | - | 6503128T |
| 21 | Kit rep. 2 zapatas | Brake shoe kit | 40.02.51 | - | - | 1/26502102W |
| 22 | Kit rep. 2 zapatas | Brake shoe kit | 40.02.49 | - | - | 1/26502816P |
| 23 | Kit rep. 2 zapatas Lun | Brake shoe kit | - | 40.02.52 | - | 1/26504775W |



| N.º | Designación | Designation | N400 Ref. Onyarbi | N400LUN Ref. Onyarbi | N400TEM Ref. Onyarbi | Ref. Original |
|-----|------------------------------|-------------------------|----------------------|-------------------------|-------------------------|---------------|
| 01 | Zapata freno Trailor 419x203 | Brake shoe 419x203 | 40.02.47 | - | - | 1674090B |
| 05 | Rodillo de zapata 31,75 | Cam roller | 40.02.30 | 40.02.30 | 40.02.30 | 1642090S |
| 06 | Plaqueta de rodillo | Retaining plate | 40.02.41.1 | 40.02.41.1 | 40.02.41.1 | 6500800G |
| 08 | Muelle zapata 210x162x30 | Brake spring 210x162x30 | 80.03.20 | 80.03.20 | 80.03.20 | 1643000C |
| 09 | Pasador muelle retorno | Pin release spring | 40.02.31 | 40.02.31 | 40.02.31 | 1646000J |
| 12 | Casquillo anclaje zapata | Bush anchor pin | 40.02.48 | 40.02.48 | 40.02.48 | 1650000S |
| 13 | Arandela 32,8x44x1,5 cincada | Washer | 80.02.26 | 80.02.26 | 80.02.26 | 1651000C |
| 14 | Eje de zapata a circlips | Anchor pin | 40.02.33 | 40.02.33 | 40.02.33 | 1652010R |
| 15 | Circlip E-32 DIN-471 | Clip pin E-32 DIN-471 | 80.05.01 | 80.05.01 | 80.05.01 | 1652020T |
| 16 | Kit balón (ancl. zap. esp) | Anchor pin kit | 40.02.37 | 40.02.37 | 40.02.37 | 21205420 |
| 17 | Kit fj. rodillo 4 zap. | Retainer cam roller | 40.02.44 | 40.02.44 | 40.02.44 | 6502101T |
| 19 | Soporte freno 170 | Anchor bracket 170 | 40.02.18 | - | - | 6502811G |
| 20 | Soporte freno SAF | Anchor bracket SAF | 40.02.19 | - | - | 6503720B |
| 21 | Kit rep. 2 zapatas | Brake shoe kit | 40.02.51 | - | - | 1/26502102W |
| 22 | Kit rep. 2 zapatas | Brake shoe kit | - | - | 40.02.49 | 1/26502816P |
| 23 | Kit rep. 2 zapatas Lun | Brake shoe kit | - | 40.02.52 | - | 1/26504775W |

Freno/Tambor (Kit Reparación) Brake/Drum (Repair Kit)

Kit Suj. Remolque Steer Connection Kit



Ref. Onyarbi 40.02.55 Para To fit **TRAILOR**
 Ref. Original 0039210X L200, L200LUN, L200TEM,
 N400, N400LUN, N400TEM

Kit Eje Mordaza Brake Shoe Kit



Ref. Onyarbi 40.02.56 Para To fit **TRAILOR**
 Ref. Original - L200, L200LUN, L200TEM,
 N400, N400LUN, N400TEM

Kit Rep. 2 Levas Plástico - Antiguo Montaje Camshaft Repair Kit



Ref. Onyarbi 40.02.35 Para To fit **TRAILOR**
 Ref. Original 6502103X L200, L200LUN, L200TEM,
 N400, N400LUN, N400TEM

Kit Rep. 2 Levas Plástico - Nuevo Montaje Camshaft Repair Kit



Ref. Onyarbi 40.02.50 Para To fit **TRAILOR**
 Ref. Original 6503723T L200, L200LUN, L200TEM,
 N400, N400LUN, N400TEM

Kit Bulón (Anclaje Zapata) Anchor Pin Kit



Ref. Onyarbi 40.02.37 Para To fit **TRAILOR**
 Ref. Original 21205420 L200, L200LUN, L200TEM,
 N400, N400LUN, N400TEM

Kit Reparación Zapata Brake Shoe Kit



Ref. Onyarbi 40.02.49 Para To fit **TRAILOR**
 Ref. Original 6502816P N400TEM

Kit Reparación Zapata Brake Shoe Kit

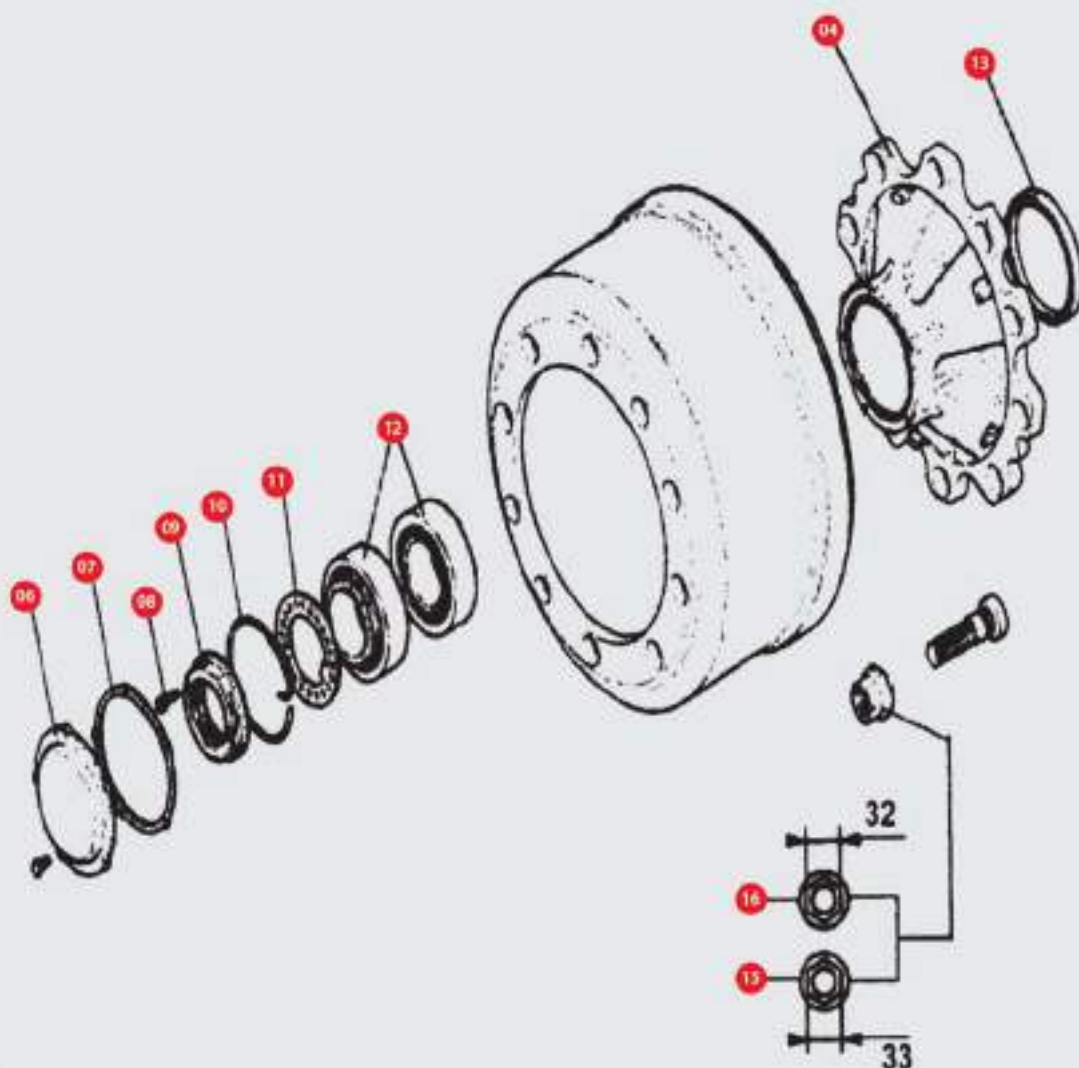


Ref. Onyarbi 40.02.51 Para To fit **TRAILOR**
 Ref. Original 6502102W N400

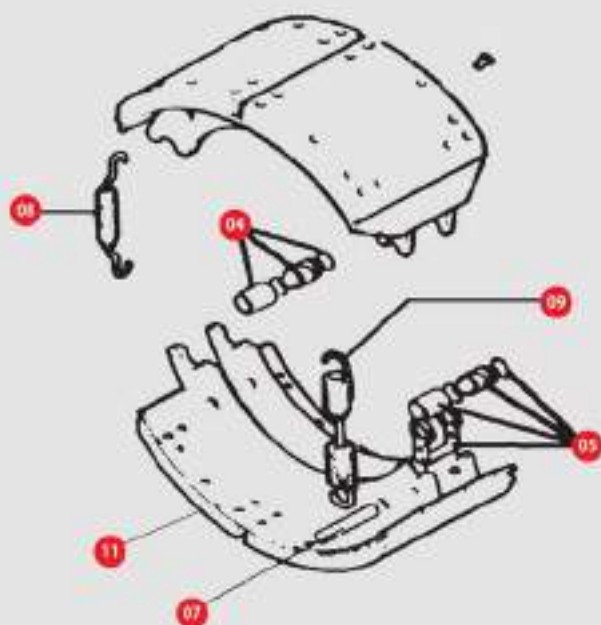
Kit Reparación Zapata Brake Shoe Kit



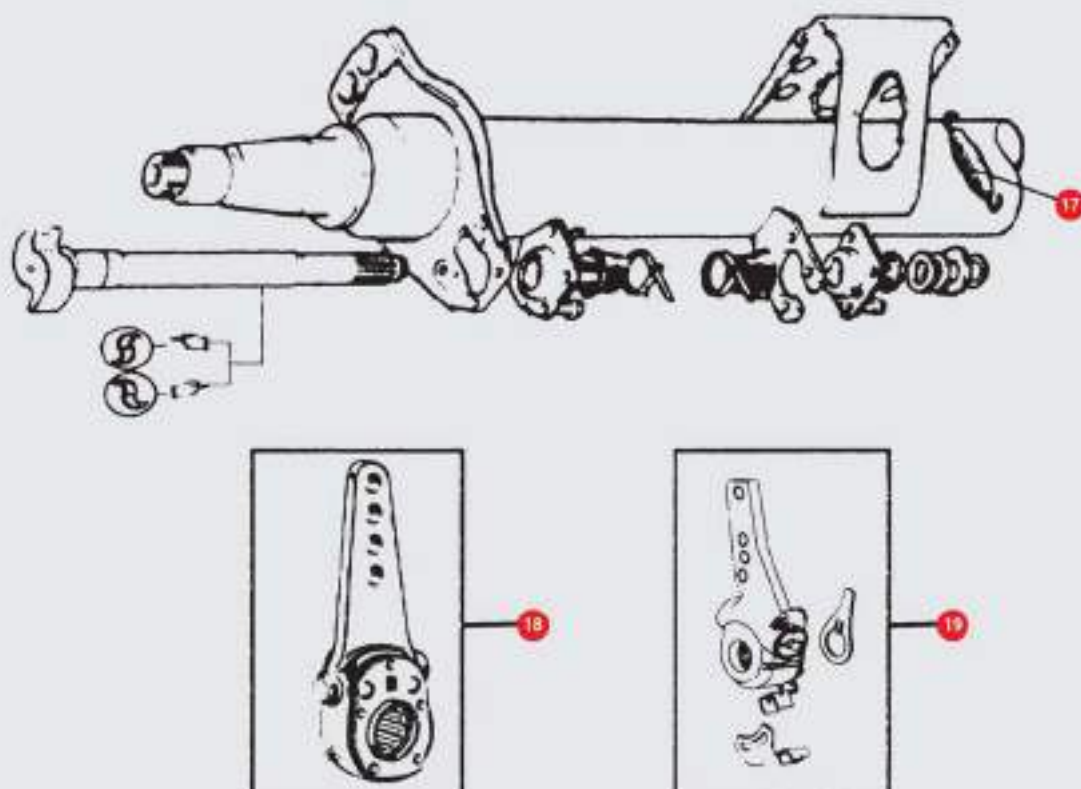
Ref. Onyarbi 40.02.52 Para To fit **TRAILOR**
 Ref. Original 6504775W N400LUN



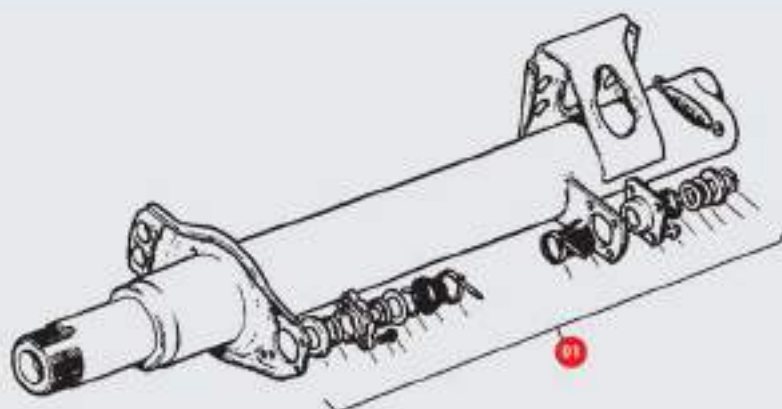
| N.º | Designación | Designation | LM Eje Ref. Onyarbi | Ref. Original |
|-----|----------------------------|--------------------|---------------------------|---------------|
| 04 | Bujo de rueda | Hub | 50.02.45 | 21224748 |
| 06 | Tapacubos | Hub cap | 50.02.48 | 21224673 |
| 07 | Junta de tapacubos | Gasket hub cap | 50.02.49 | 21224759 |
| 08 | Tornillo de tuerca del eje | Screw of pinch nut | 70.01.88 | 21224864 |
| 09 | Tuerca del eje | Pinch nut | 50.02.50 | 21224762 |
| 10 | Alambre de circlip | Retaining clip | 80.05.19 | 21224865 |
| 11 | Arandela de bloqueo | Retaining washer | 50.02.51 | 21224689 |
| 12 | Rodamiento | Bearing | 80.07.16 | 99041075 |
| 13 | Retén aceite | Oil seal | 80.09.05 | 21200321A |
| 15 | Tuerca (33mm) | Wheel nut (33mm) | 80.01.21.1 | 212000099 |
| 16 | Tuerca (32mm) | Wheel nut (32mm) | 80.01.21 | 21218643 |



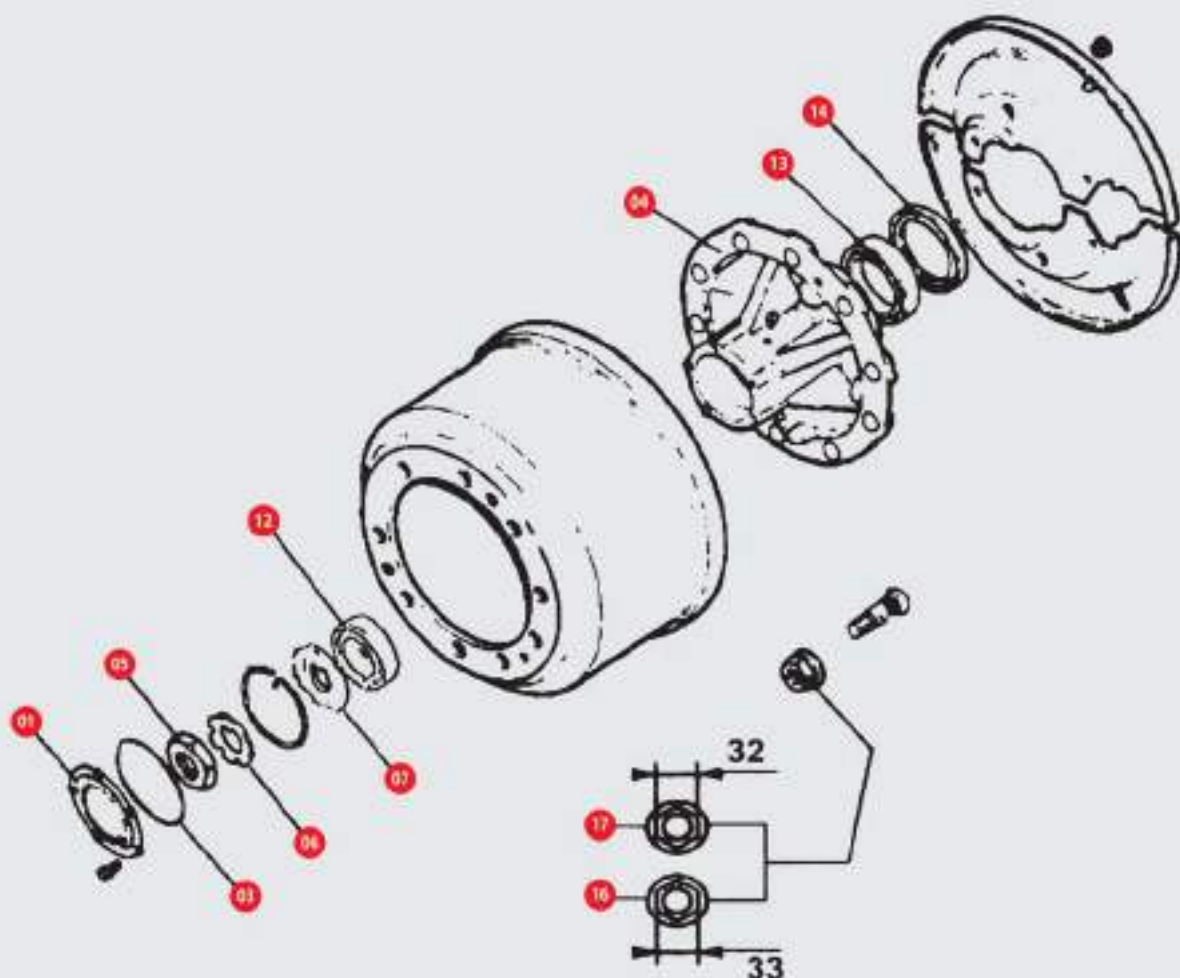
| N.º | Designación | Designation | LM Eje Ref. Onyarbi | Ref. Original |
|-----|-------------------------------|---------------------------------|---------------------------|---------------|
| 04 | Eje de zapata | Anchor pin | 50.02.33 | 15224031 |
| 05 | Kit rodillo + retén D:31,75mm | Kit roller + retainer D:31,75mm | 50.02.32 | 15224812 |
| 07 | Pasador tubular 12x65 | Retaining pin 12x65 | 80.04.09 | 21220171 |
| 08 | Muelle de retención | Brake shoe spring | 80.03.28 | 21205194 |
| 09 | Muelle de zapata | Brake shoe spring | 80.03.25 | 21221224 |
| 10 | Kit rep. 2 zapatas | Kit rep. 2 brake shoes | 50.02.36 | AXLLM4 |
| 11 | Zapata 420x180 | Brake shoes 420x180 | 50.02.56 | 21224719 |



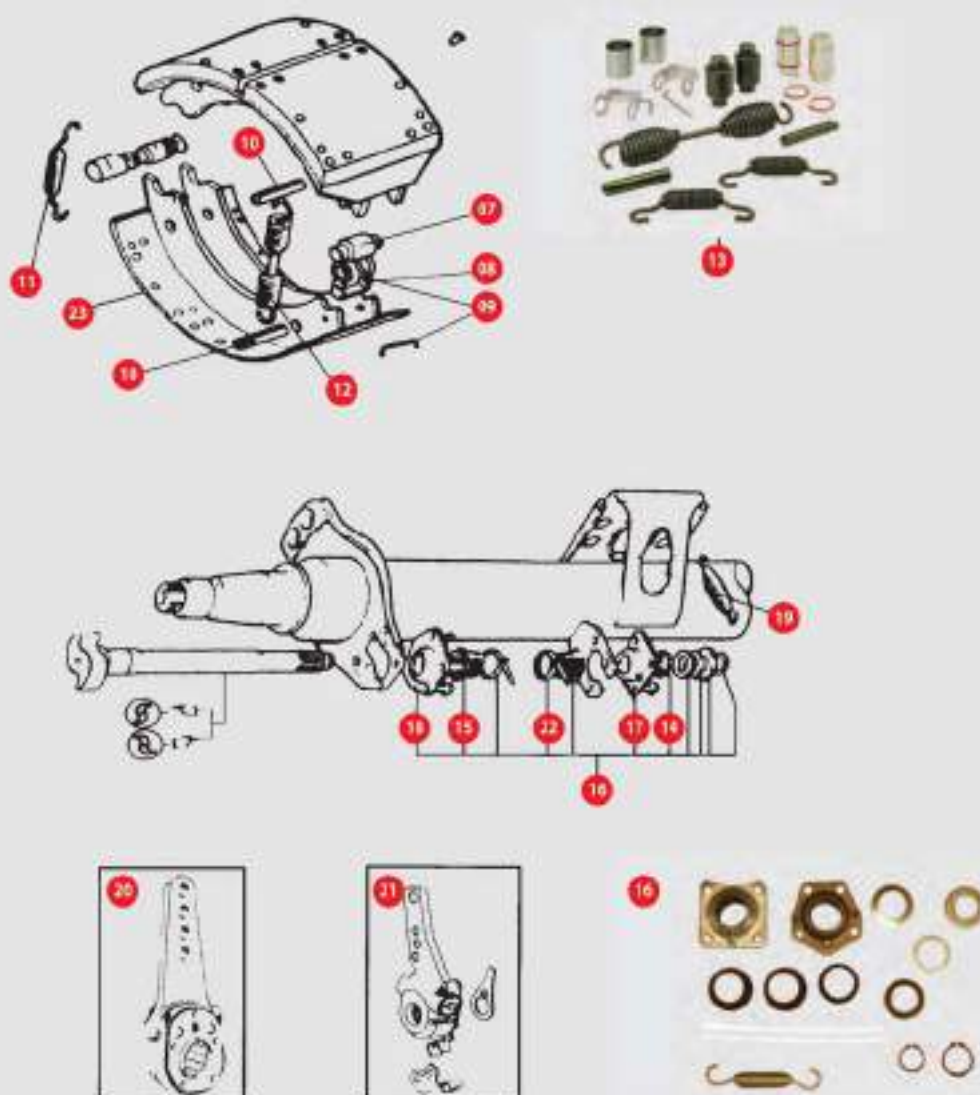
| N.º | Designación | Designation | LM LEVA Ref. Onyarbi | Ref. Original |
|-----|-----------------------------|----------------|----------------------------|---------------|
| 17 | Muelle de palanca | Spring | 80.03.40 | 21210215 |
| 18 | Palanca de freno | Slack adjuster | 50.02.48 | 21219681 |
| 19 | Palanca de freno automática | Slack adjuster | 80.14.37 | 21229249 |



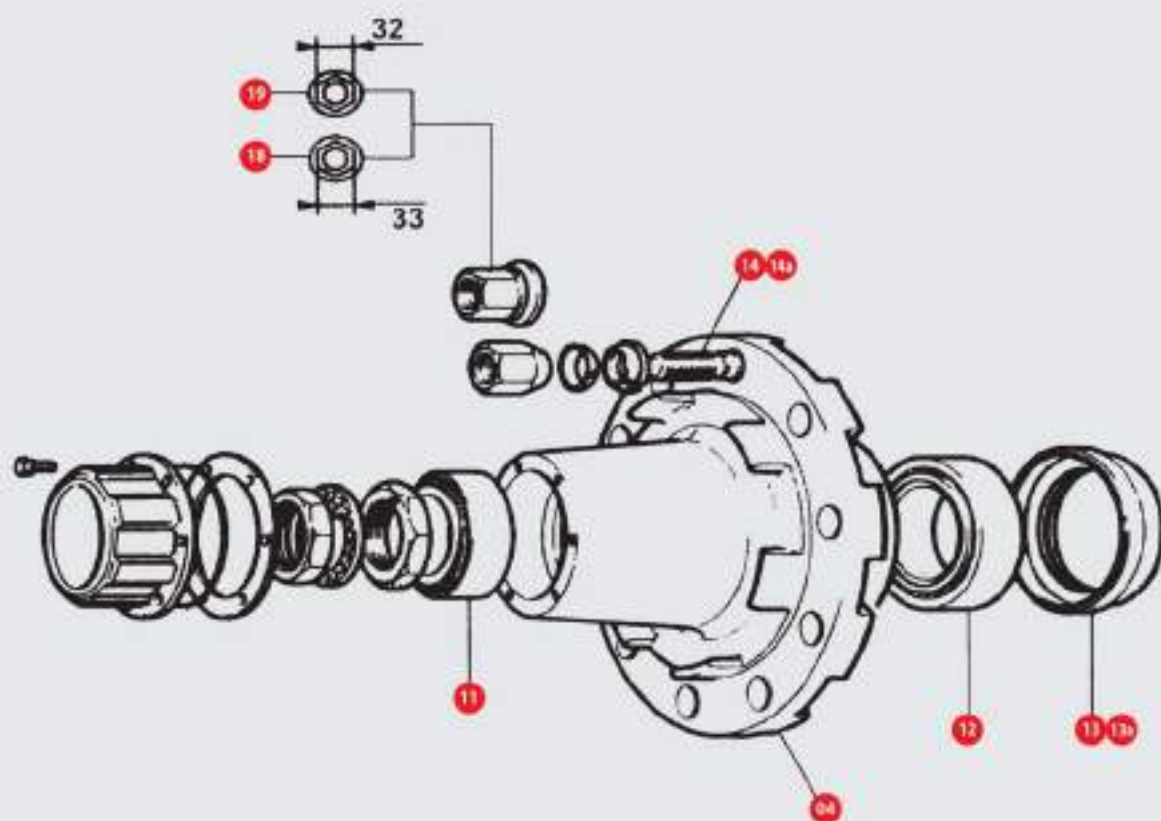
| N.º | Designación | Designation | LM-LMC > Abril 2001 LEVA Ref. Onyarbi | Ref. Original |
|-----|------------------------|---------------------|---|---------------|
| 01 | Kit. Reparación 1 Leva | Camshaft Repair Kit | 50.02.52 | AXL140 |



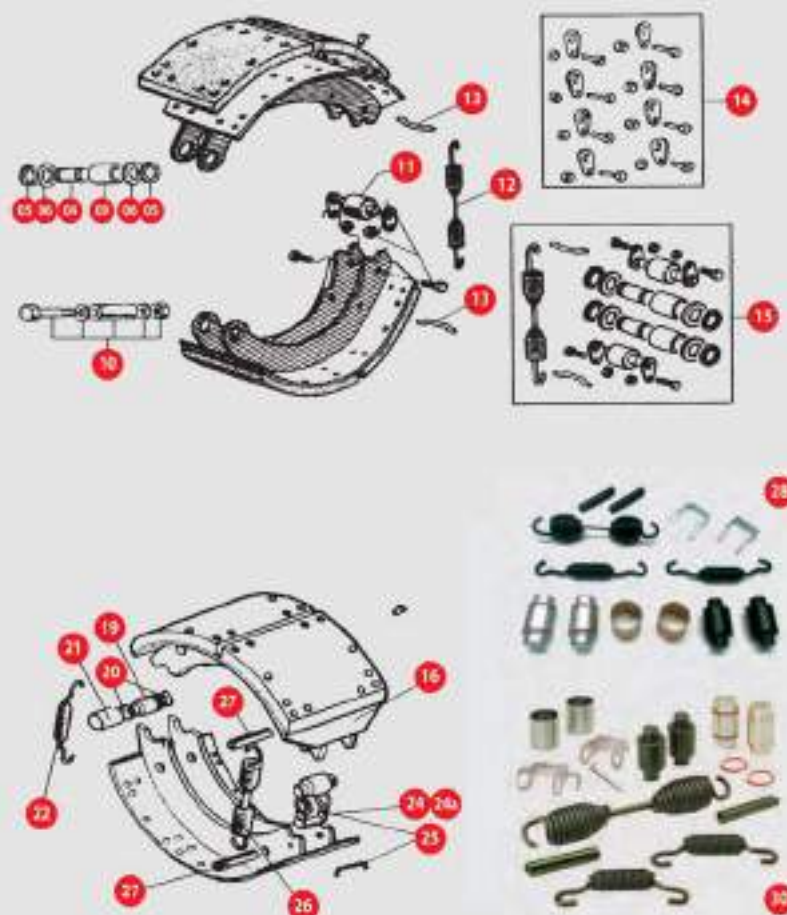
| N.º | Designación | Designation | TE Eje Ref. Onyarbi | Ref. Original |
|-----|-----------------------|-------------------|---------------------------|---------------|
| 01 | Tapacubos | Hub cap | 50.02.57 | 21220727 |
| 03 | Junta de tapacubos | Gasket hub cap | 50.02.58 | 21223797 |
| 04 | Buje de rueda | Hub | 50.02.44 | 21219784 |
| 05 | Tuerca del eje | Finch nut | 50.02.59 | 21220759 |
| 06 | Arandela de bloqueo | Suspension washer | 50.02.61 | 21221061 |
| 07 | Arandela de retención | Retaining washer | 50.02.60 | 21220726 |
| 12 | Rodamiento exterior | Outer bearing | 80.07.05 | 99041068 |
| 13 | Rodamiento interior | Inner bearing | 80.07.06 | 99041067 |
| 14 | Betén aceite | Oil seal | 80.09.07 | 21220158 |
| 16 | Tuerca (33mm) | Wheel nut (33mm) | 80.01.21.1 | 212030099 |
| 17 | Tuerca (32mm) | Wheel nut (32mm) | 80.01.21 | 21218643 |



| N.º | Designación | Designation | TE Freno-Leva Ref. Ornyarbi | Ref. Original |
|-----|------------------------------|--------------------------|-----------------------------------|----------------|
| | Zapata de freno (419x220) | Brake shoe (419x220) | 50.02.30 | 15205191 |
| 07 | Rodillo de zapata | Cam roller | 50.02.03 | 21006810 |
| 08 | Retén de rodillo | Cam roller clip | 14.02.22 | 21023758 |
| 09 | Kit retén - eje | Kit cam roller clip | 14.02.24 | M002963/M00300 |
| 10 | Pasador tubular 12x65 | Retaining pin 12x65 | 80.04.09 | 21220171 |
| 11 | Muelle de retención | Brake shoe spring | 80.03.26 | 21205194 |
| 12 | Muelle de zapata | Brake shoe spring | 80.03.25 | 21221224 |
| 13 | Kit rep. 2 zapatas | Brake shoe kit | 50.02.14 | AXL126 |
| 14 | Casquillo forma retén | Sleeve | 50.02.24 | 21205867 |
| 15 | Casquillo forma guardapolvos | Rubber bush | 50.02.23 | 21204849 |
| 16 | Kit reparación 2 levas | Camshaft repair kit | 50.02.12.1 | AXL122x2 |
| 17 | Soposte leva tipo cuadrado | Spherical bearing | 50.02.21 | 15213430 |
| 18 | Soposte leva tipo pentágono | Cam support bearing | 50.02.22 | 15220224 |
| 19 | Muelle de palanca | Spring | 80.03.40 | 21210215 |
| 20 | Palanca de freno | Slack adjuster | 50.02.48 | 21219681 |
| 21 | Palanca freno automática | Automatic Slack adjuster | 80.14.37 | 21229249 |
| 22 | Brida nylon 4,8x200 | Cable tie 4,8x200 | 50.02.25 | 21221065 |
| 23 | Zapata freno (419x220) | Brake shoe (419x220) | 50.02.30 | 15205191 |



| N.º | Designación | Designation | TM Eje Ref. Onyarbi | Ref. Original |
|-----|-------------------------------|---------------------|---------------------|---------------|
| 04 | Buje de rueda | Hub | 50.02.43 | 21204562 |
| 11 | Rodamiento exterior | Outer bearing | 80.07.08 | 99041045 |
| 12 | Rodamiento interior | Inner bearing | 80.07.09 | 99041035 |
| 13 | Retén aceite (verde) | Oil seal (green) | 80.09.06 | 21200321 |
| 13a | Retén aceite | Oil seal | 80.09.05 | 21200321A |
| 14 | Tornillo perno M-22x1,5 L:95 | Screw M-22x1,5 L:95 | 70.01.60 | 21022167 |
| 14a | Tornillo perno M-22x1,5 L:107 | crew M-22x1,5 L:107 | 70.01.61 | 21020997 |
| 18 | Tuerca (33mm) | Wheel nut (33mm) | 80.01.21.1 | 212030099 |
| 19 | Tuerca (32mm) | Wheel nut (32mm) | 80.01.21 | 21218643 |



| N.º | Designación | Designation | TM Freno Ref. Onyarbi | Ref. Original |
|-----|---------------------------------|--------------------------|-----------------------|----------------|
| 04 | Eje de zapata a circlips | Anchor pin | 50.02.02 | 21020039 |
| 05 | Circlip E-32 DfN-471 | Clip pin E-32 DIN-471 | 80.05.01 | 99070008 |
| 06 | Arandela 32,8x44x1,5 cincada | Washer 32,8x44x1,5 | 80.02.26 | 21010719 |
| 09 | Casquillo anclaje zapata | Bush anchor pin | 40.02.48 | 21016666 |
| 10 | Kit bulón (ancl. zap. esp) | Anchor pin kit | 40.02.37 | 21205420 |
| 11 | Rodillo de zapata | Cam roller | 50.02.03 | 21006610 |
| 12 | Muelle zapata 210x162x30 | Brake spring 210x162x30 | 80.03.20 | 21023389 |
| 13 | Pasador muelle retorno | Pin release spring | 50.02.05 | 21006614 |
| 14 | Kit suj. rodillo 4 zapatas | Kit cam roller 4 B. shoe | 50.02.15 | - |
| 15 | Kit rep. 2 zapatas | Brake shoe kit | 40.02.51 | 1/26502102W |
| 16 | Zapata freno 420x180 | Brake shoe 420x180 | 50.02.07 | 15205533 |
| 19 | Eje de zapata c/b cincado | Anchor pin | 50.02.06 | 21205193 |
| 20 | Goma tónica silicona (troja) | flubber toric red | 50.02.18 | 21220068 |
| 21 | Casq. anclaje zapata sin ventan | Brake shoe bush | 50.02.08 | 21221028 |
| 22 | Muelle de retención | Brake shoe spring | 80.03.26 | 21205194 |
| 24 | Retén de rodillo | Cam roller clip | 50.02.04 | 21023758 |
| 24a | Retén de rodillo | Cam roller clip | 14.02.22 | 21023758 |
| 25 | Kit retén + eje | Kit cam roller clip | 14.02.24 | M002963/M00300 |
| 26 | Muelle de zapata | Brake shoe spring | 80.03.25 | 21221224 |
| 27 | Pasador tubular 12x65 | Retaining pin 12x65 | 80.04.09 | 21220171 |
| 28 | Kit rep. 2 zapatas | Brake shoe rep. kit | 50.02.17 | AXL117 |
| 30 | Kit rep. 2 zapatas | Brake shoe kit | 50.02.14 | AXL126 |

**STANDARD "D38"****"D42"**

12

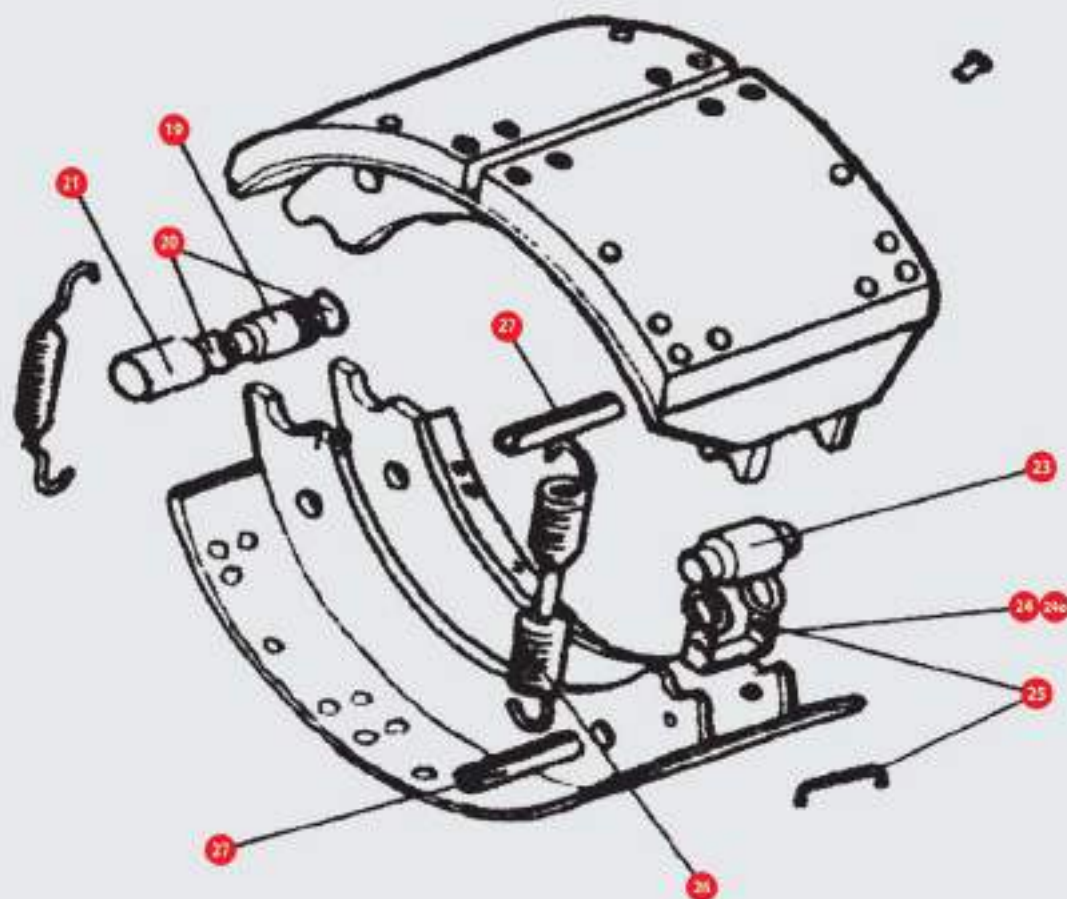


04



08

| N.º | Designación | Designation | TM Leva Ref. Onyarbi | Ref. Original |
|-----|------------------------------------|-------------------------------|----------------------------|---------------|
| 01 | Leva de freno dcha. D:38 L:572/525 | Camshaft right D:38 L:572/525 | 50.02.41 | 21205406 |
| 02 | Leva de freno izda. D:38 L:572/525 | Camshaft left D:38 L:572/525 | 50.02.42 | 21205407 |
| 04 | Kit rep. 2 leva c/p | Camshaft repair kit 2 | 50.02.10.1 | AXL112x2 |
| 06 | Leva de freno dcha. D:42 L:572/525 | Camshaft right D:42 L:572/525 | 50.02.39 | 21202754 |
| 07 | Leva de freno izda. D:42 L:572/525 | Camshaft left D:42 L:572/525 | 50.02.40 | 21202755 |
| 08 | Kit rep. 2 levas c/b | Camshaft rep. kit | 50.02.11.1 | AXL132x2 |
| 11 | Palanca de freno | Slack adjuster | 50.02.48 | 21219681 |
| 12 | Palanca de freno automática | Slack adjuster | 80.14.37 | 21229249 |
| 13 | Muelle de palanca | Spring | 80.03.40 | 21210215 |



| N.º | Designación | Designation | BMX Freno Ref. Onyarbi | Ref. Original |
|-----|---------------------------------|---------------------|------------------------|----------------|
| 19 | Eje de zapata c/b cincado | Anchor pin | 50.02.06 | 21205193 |
| 20 | Goma tórica silicona (roja) | Rubber toric red | 50.02.18 | 21220068 |
| 21 | Casq. anclaje zapata sin ventan | Brake shoe bush | 50.02.08 | 21221028 |
| 23 | Rodillo de zapata | Cam roller | 50.02.03 | 21006610 |
| 24 | Retén de rodillo | Cam roller clip | 50.02.04 | 21023758 |
| 24a | Betén de rodillo | Cam roller clip | 14.02.22 | 21023758 |
| 25 | Kit retén + eje | Kit cam roller clip | 14.02.24 | M002963/M00300 |
| 26 | Muelle de zapata | Brake shoe spring | 80.03.25 | 21221224 |
| 27 | Pasador tubular 12x65 | Retaining pin 12x65 | 80.04.09 | 21220171 |



Freno/Tambor (Kit Reparación) Brake/Drum (Rep. Kit)

Kit Eje Zapata C/B + Goma Tórica Cam Roller



Ref. Original 50.02.06.1 Para To fit MERITOR
 Ref. Original 21205193/21220608 TM Freno/BMX Freno

Kit Reparación 2 Zapatas Serie TM Brake Shoe Kit



Ref. Original 50.02.34 Para To fit
 Ref. Original AXL125 MERITOR TM Freno

Kit Reparación Leva Camshaft Repair Kit



Ref. Original 50.02.52 Para To fit MERITOR
 Ref. Original AXL140 LM-LMC desde abril 2001
 LEVA

Kit Reparación Zapata Kit Repair Brake Shoe



Ref. Original 50.02.36 Para To fit MERITOR
 Ref. Original AXL LM4 LM

Kit Reparación Leva Camshaft Repair Kit



Ref. Original 50.02.10.1 Para To fit MERITOR
 Ref. Original AXL 112 TM

Kit Reparación Leva Camshaft Repair Kit



Ref. Original 50.02.11.1 Para To fit MERITOR
 Ref. Original AXL 132 TM



Freno/Tambor (Kit Reparación) Brake/Drum (Rep. Kit)

Kit Reparación Leva Camshaft Repair Kit



Ref. Original 50.02.12.1
Ref. Original AXL 122

Para To fit
 MERITOR TE

Kit Reparación Zapata Kit Repair Brake Shoe



Ref. Original 50.02.14
Ref. Original AXL 128

Para To fit
 MERITOR TE

Kit Reparación Zapata Kit Repair Brake Shoe



Ref. Original 50.02.17
Ref. Original AXL 117

Para To fit
 MERITOR TM

Kit Rodillo y retén Kit Roller and Retainer



Ref. Original 50.02.32
Ref. Original 15224812

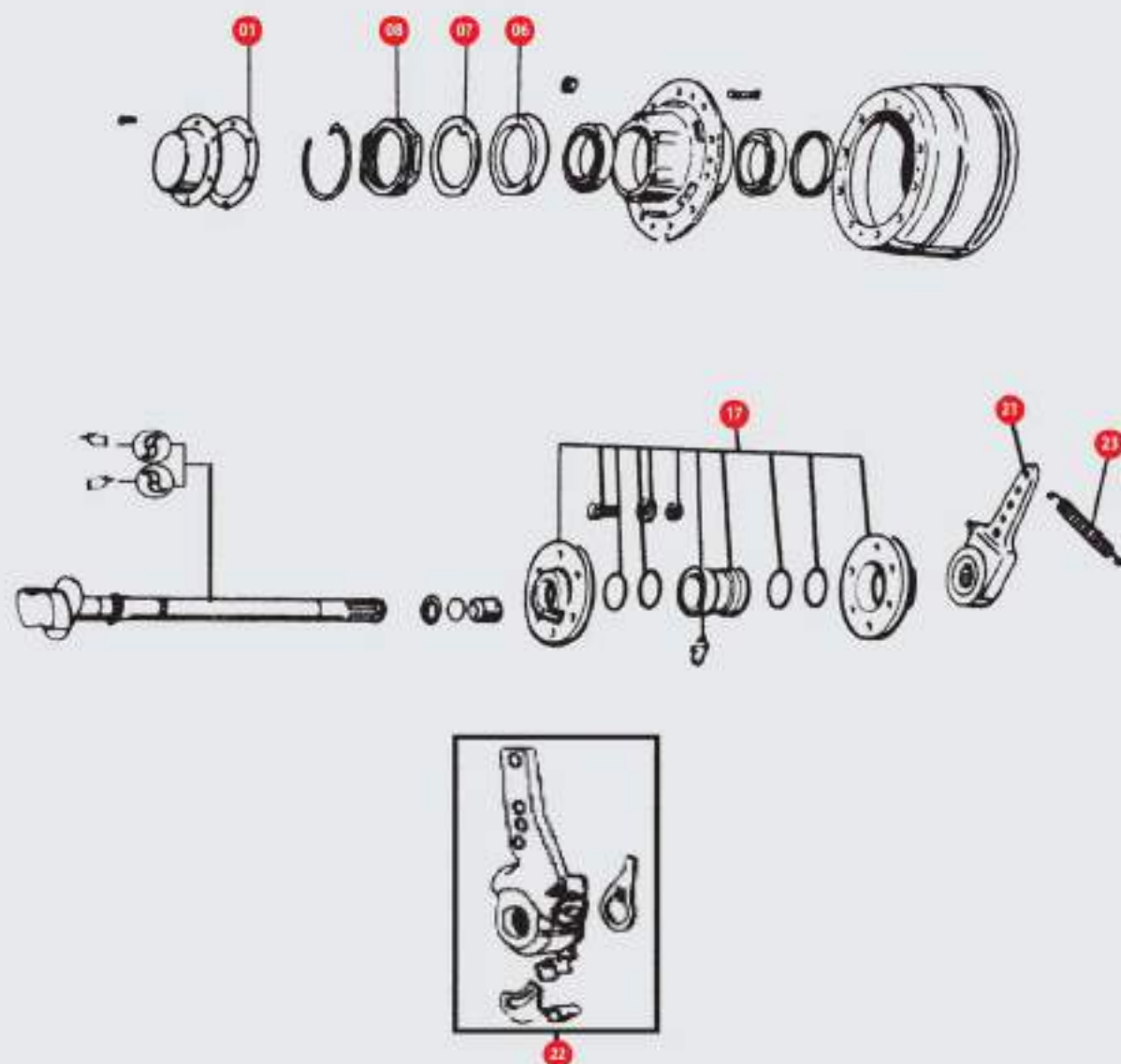
Para To fit
 MERITOR LM

Eje de Zapata Anchor Pin

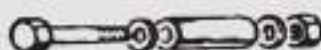
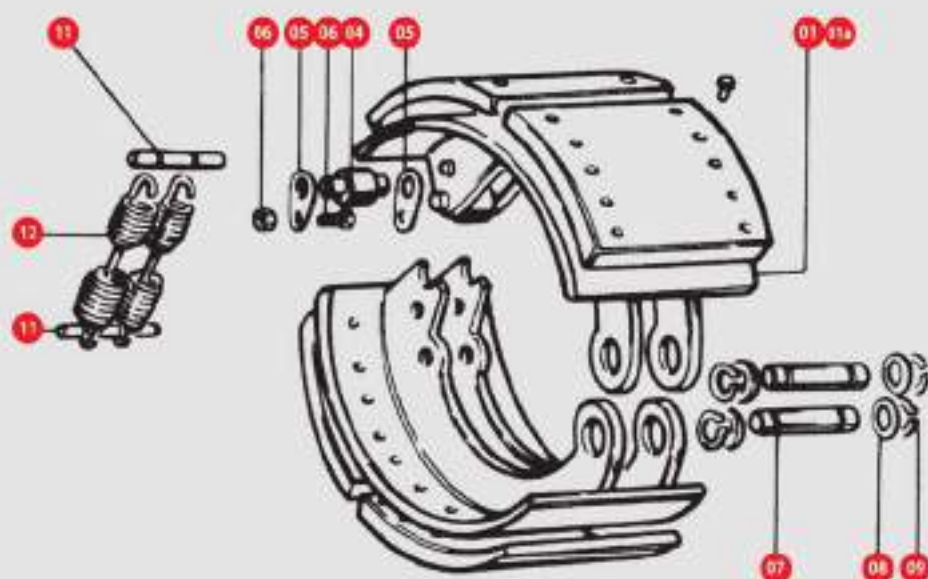


Ref. Original 50.02.33
Ref. Original 15226632

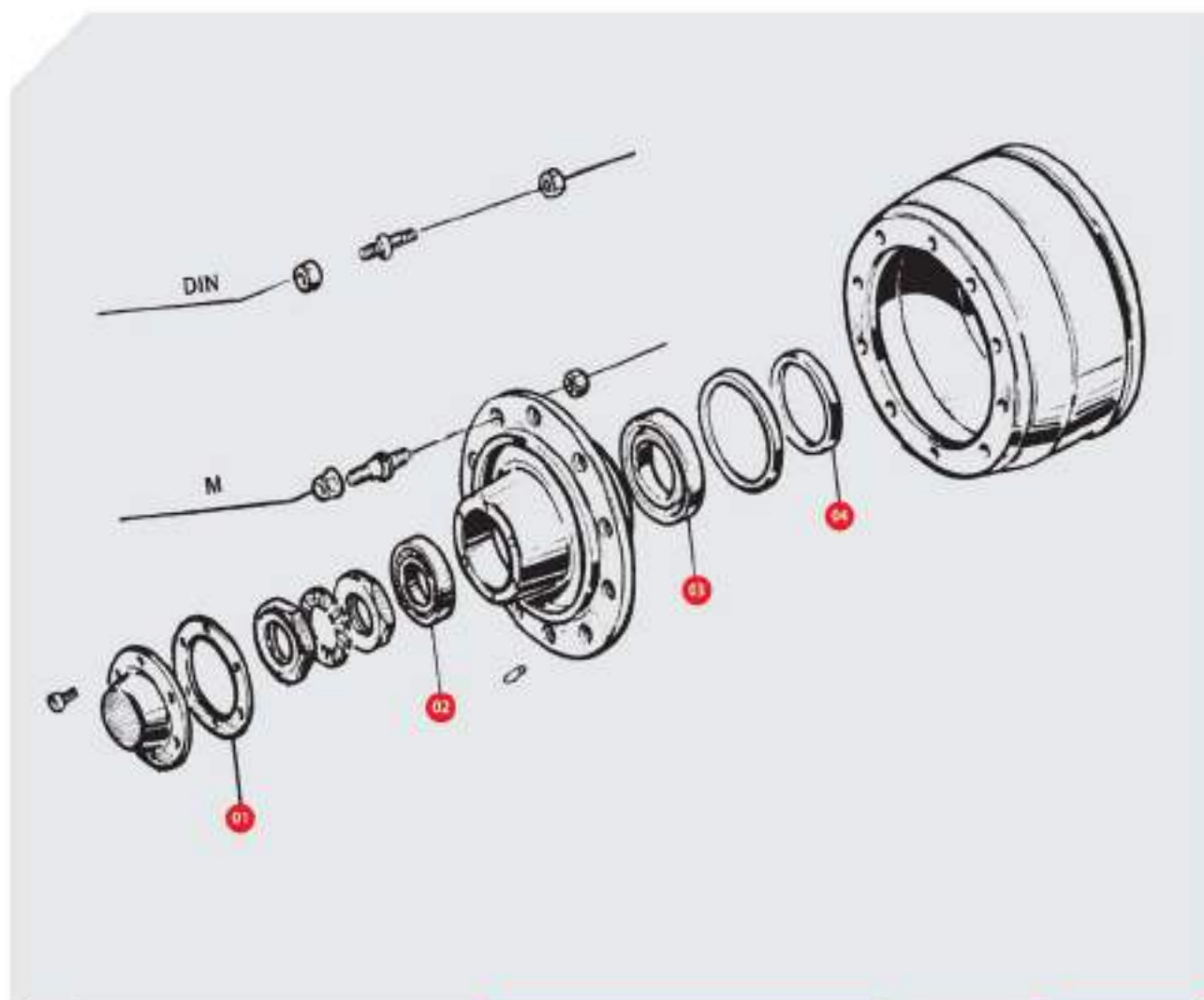
Para To fit
 MERITOR LM



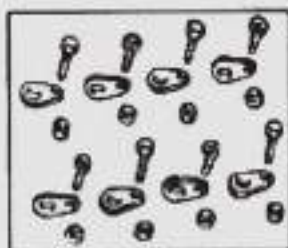
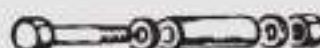
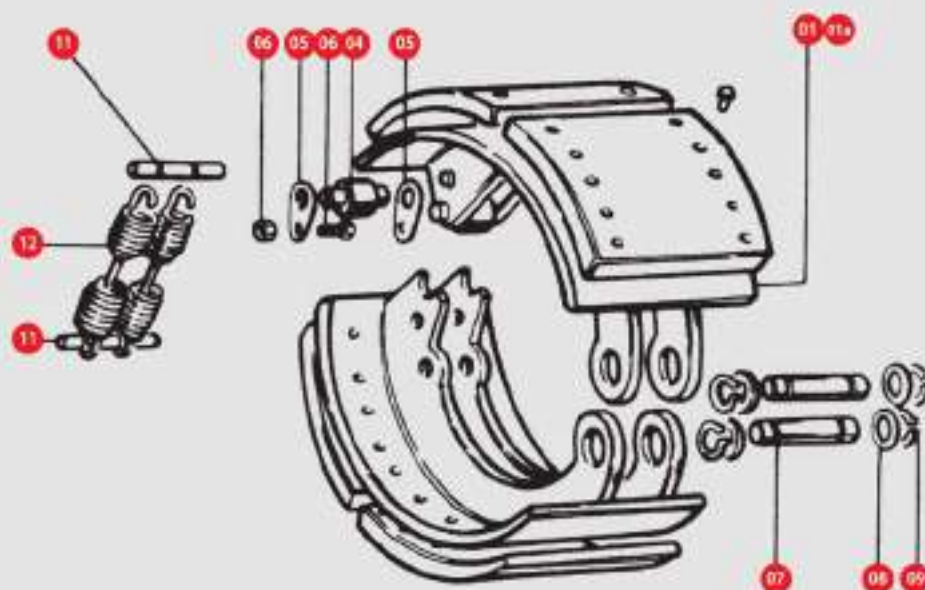
| N.º | Designación | Designation | RSM 9042-9042/20>95 Ref. Onyarbi | Ref. Original |
|-----|---|-----------------------|-------------------------------------|---------------|
| 01 | Junta de estanqueidad plana diám. 202x163x0,5 con 6 barrenos | Joint 202x163x0,5 | 90.19.25 | 1093001200 |
| 06 | Anillo o casquillo separador | Face ring | 90.19.03 | 1368009101 |
| 07 | Arandela de bloqueo | Lock washer | 90.19.02 | 1345002000 |
| 08 | Tuerca del eje | Lock nut | 90.19.01 | 1011005900 |
| 17 | Kit rep. 1 leva | 1 cam kit Saf | 90.19.28 | 3268003400 |
| 21 | Palanca freno manual | Manual slack adjuster | 90.19.39 | 2175003700 |
| 22 | Palanca freno automática | Slack adjuster | 80.14.35 | 4175024900 |
| 23 | Muelle de palanca | Spring | 80.03.39 | 1447003800 |



| N.º | Designación | Designation | RSM 9042>95 Freno Ref. Onyarbi | RSM 9042/20>95 Freno Ref. Onyarbi | Ref. Original |
|-----|------------------------------|---------------------------|--------------------------------------|---|---------------|
| 01 | Mordaza de freno 420x200 | Brake shoe 420x200 | - | 90.19.35 | 3054005300 |
| 01a | Mordaza 420x180 | Brake shoe 420x180 | 90.19.37 | - | 3054005200 |
| 04 | Rodillo de zapata | Cam roller | 90.19.05 | 90.19.05 | 1265000700 |
| 05 | Plaqueta suj. rodillo | Lock washer | 90.19.13 | 90.19.13 | 1345000600 |
| 06 | Kit tornillo + tuerca | Screw + nut kit | 90.19.20 | 90.19.20 | 4343101588 |
| 07 | Eje de zapata | Cam roller | 90.19.04 | 90.19.04 | 1214002301 |
| 08 | Arandela 32,8x44x1,5 cincada | Washer 32,8x44x1,5 | 80.02.26 | 80.02.26 | 1331001300 |
| 09 | Circlip E-32 DIN-471 | Clip pin E-32 DIN-471 | 80.05.01 | 80.05.01 | 4348100400 |
| 11 | Eje de muelle | Spring axle | 90.19.21 | 90.19.21 | 1395100500 |
| 12 | Muelle 225x26x4 | Return spring 225x26x4 | 80.03.27 | 80.03.27 | 1447003800 |
| 13 | Kit fij. rodillo 4 zap. | Retainer cam roller | 40.02.44 | 40.02.44 | 6502101T |
| 14 | Kit eje zapata a circlips | Brake shoe anchor pin kit | 90.19.08 | 90.19.08 | 3213002301 |
| 15 | Kit rep. 2 zapatas | Brake shoe kit | 90.19.11 | 90.19.11 | - |



| N.º | Designación | Designation | RSM-RMZ >95 Eje Ref. Onyarbi | Ref. Original |
|-----|--|-------------------|------------------------------------|---------------|
| 01 | Junta de estanqueidad plana diám.158x118x0,5mm con 6 barrenos | Joint 158x118x0,5 | 90.19.26 | 1093000500 |
| 02 | Rodamiento exterior | Outer bearing | 80.07.08 | 4200006000 |
| 03 | Rodamiento interior | Inner bearing | 80.07.09 | 4200100600 |
| 04 | Anillo o casquillo separador | Rubber bush | 90.19.06 | 1368005201 |



13

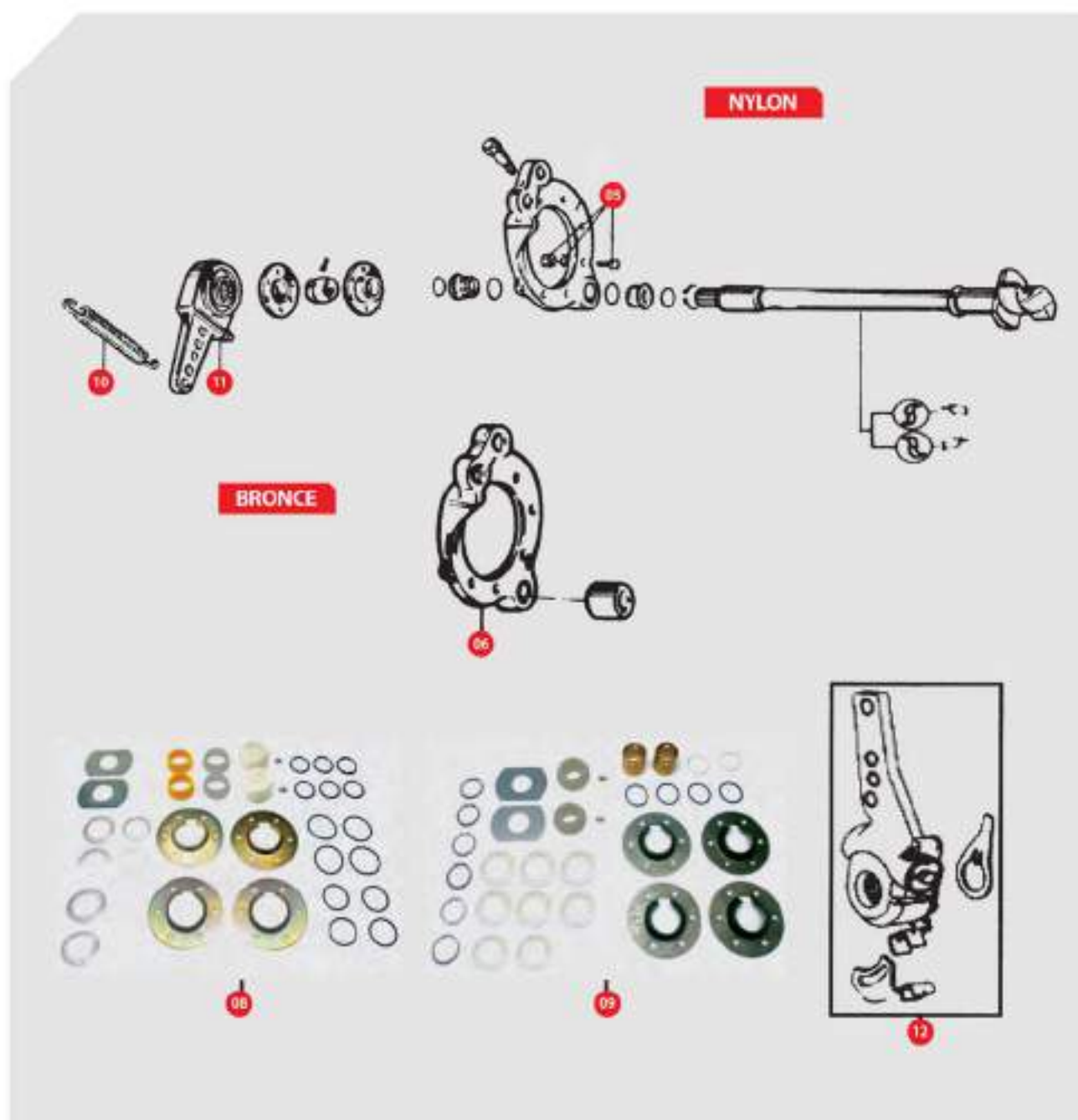


14

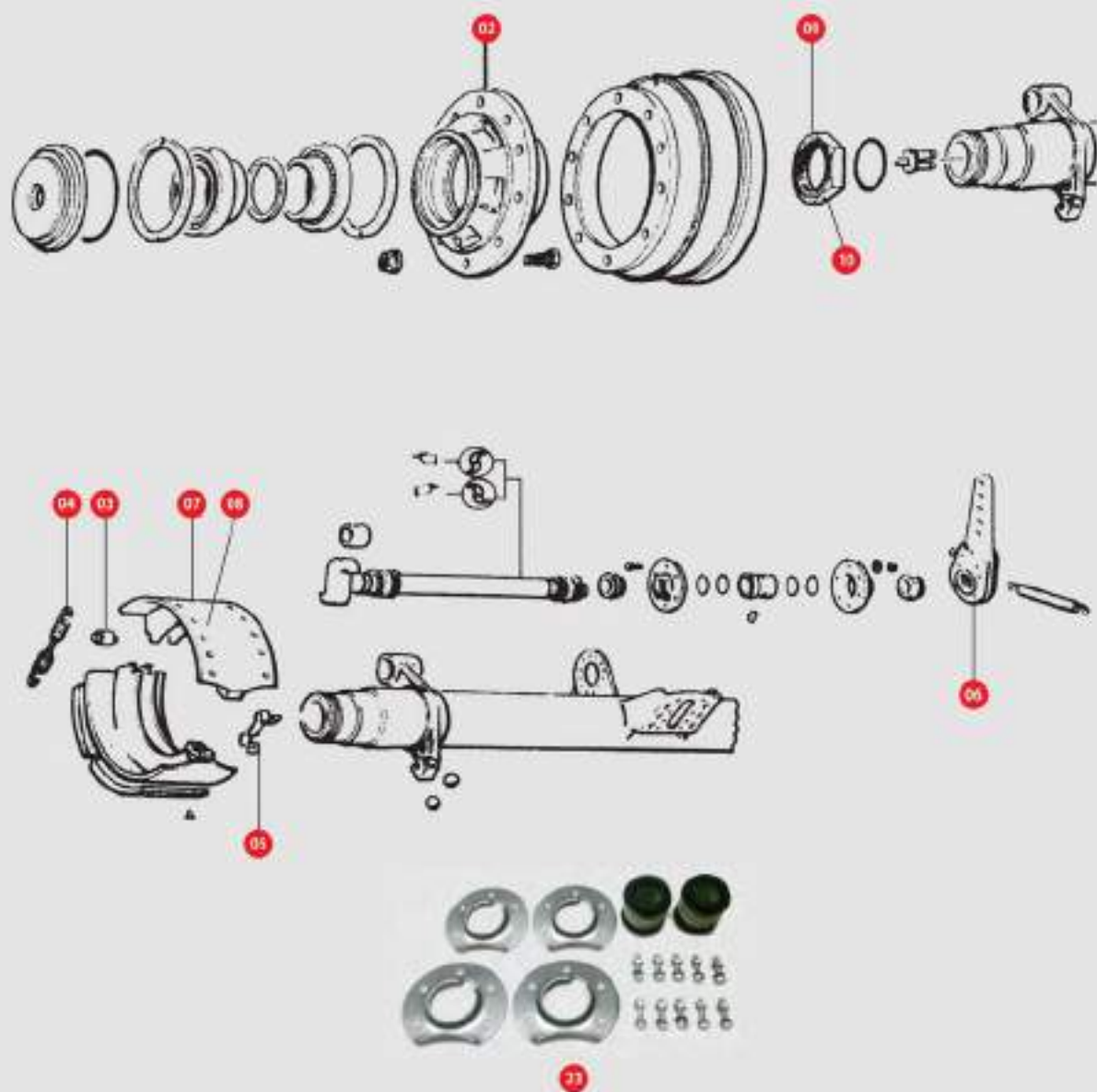


15

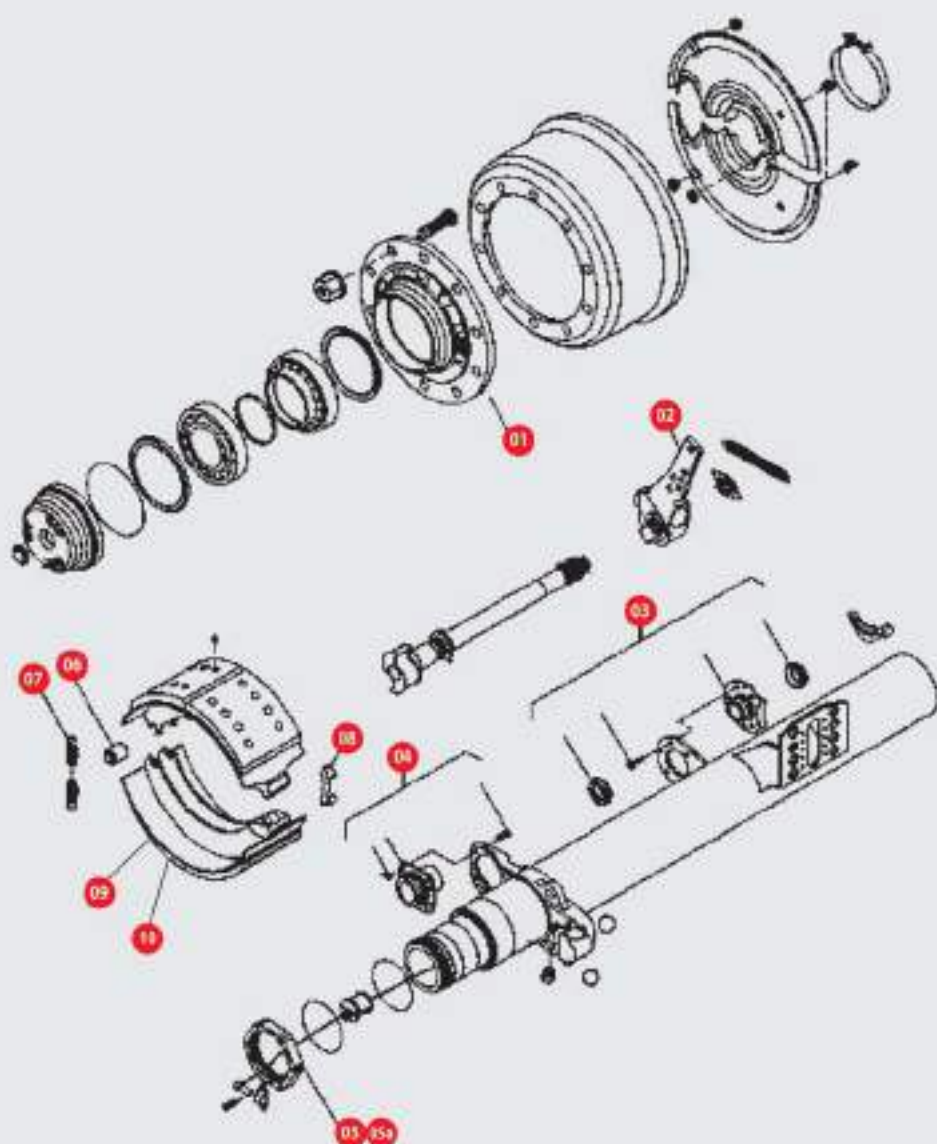
| N.º | Designación | Designation | RSM-RMZ <95 Freno Ref. Onyarbi | Ref. Original |
|-----|------------------------------|---------------------------|--------------------------------------|---------------|
| 01 | Mordaza de freno (420x200) | Brake shoe (420x200) | 90.19.35 | 3054005300 |
| 01a | Mordaza (420x180) | Brake shoe (420x180) | 90.19.37 | 3054005200 |
| 04 | Rodillo de zapata | Cam roller | 90.19.05 | 1265000700 |
| 05 | Plaqueta suj. rodillo | Lock washer | 90.19.13 | 1345000600 |
| 06 | Kit tornillo + tuerca | Screw + nut kit | 90.19.20 | 4343101588 |
| 07 | Eje de zapata | Cam roller | 90.19.04 | 1214002301 |
| 08 | Arandela 32,8x44x1,5 cincada | Washer 32,8x44x1,5 | 80.02.28 | 1331001300 |
| 09 | Circlop E-32 DIN 471 | Clip pin E-32 DIN-471 | 80.05.01 | 4348100400 |
| 11 | Eje de muelle | Spring axle | 90.19.21 | 1395100500 |
| 12 | Muelle 225x26x4 | Return spring 225x26x4 | 80.03.27 | 1447003800 |
| 13 | Kit fij. rodillo 4 zap. | Retainer cam roller | 40.02.44 | 6502101T |
| 14 | Kit eje zapata a circlops | Brake shoe anchor pin kit | 90.19.08 | 3213002301 |
| 15 | Kit rep. 2 zapatas | Brake shoe kit | 90.19.11 | - |



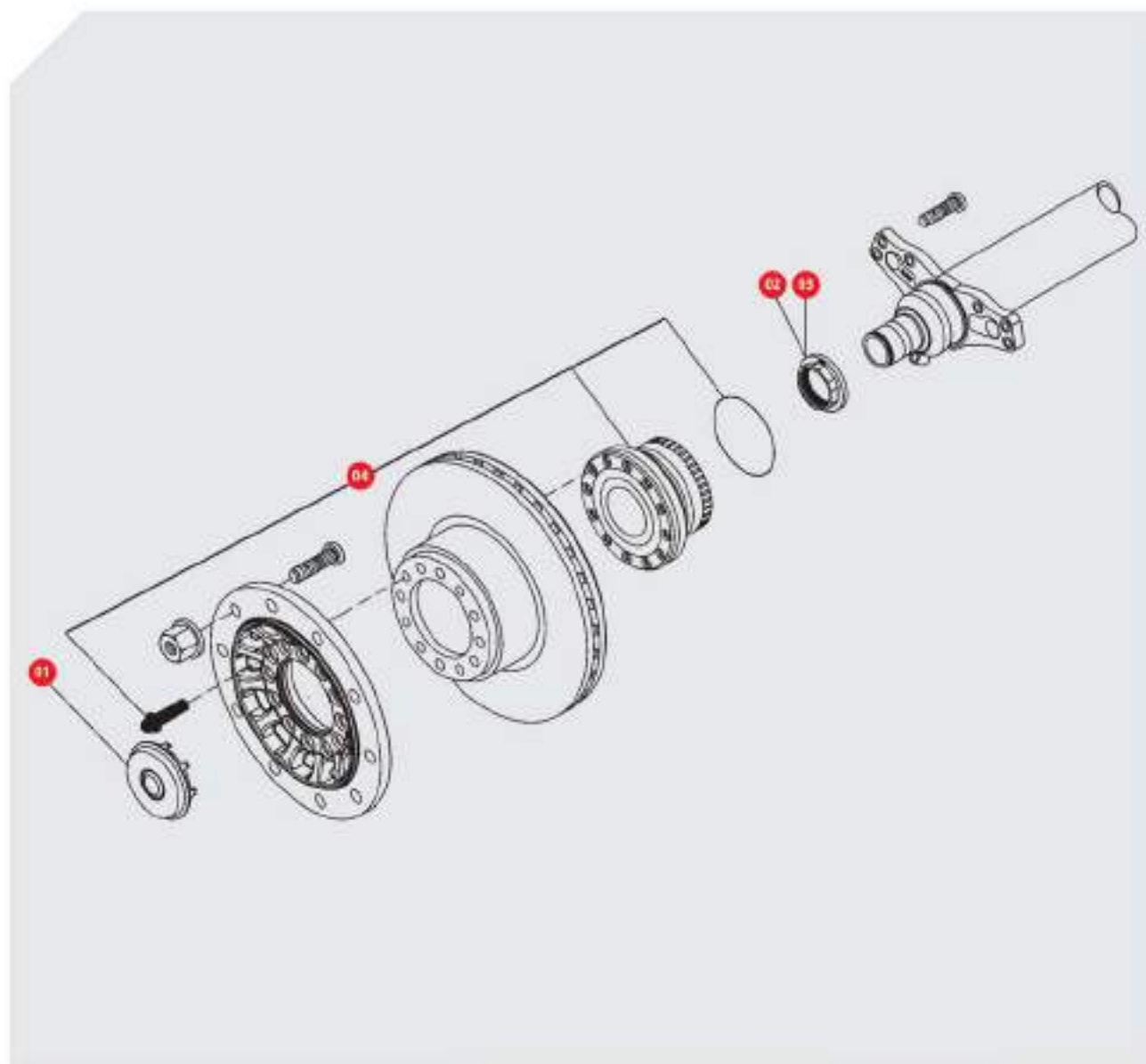
| N.º | Designación | Designation | RSM-RMZ -95 Leva Ref. Onyarbi | Ref. Original |
|-----|-------------------------------|--|-------------------------------------|---------------|
| 05 | Kit tomillo de Lyra | Bolt nut and washer for anchor bracket | 40.02.45 | 3341290200 |
| 06 | Soporte freno Saf | Anchor bracket Saf | 40.02.19 | 6503720R |
| 08 | Kit rep. 2 levas Saf plástico | Camshaft repair kit (2) | 90.19.10.2 | 3434362000 |
| 09 | Kit rep. 2 levas | Camshaft repair kit (2) | 90.19.12.2 | 3434360100 |
| 10 | Muelle de palanca | Spring | 80.03.39 | 1447003600 |
| 11 | Palanca freno manual | Manual slack adjuster | 90.19.39 | 2175000700 |
| 12 | Palanca freno automática | Automatic Slack adjuster | 80.14.35 | 4175024900 |



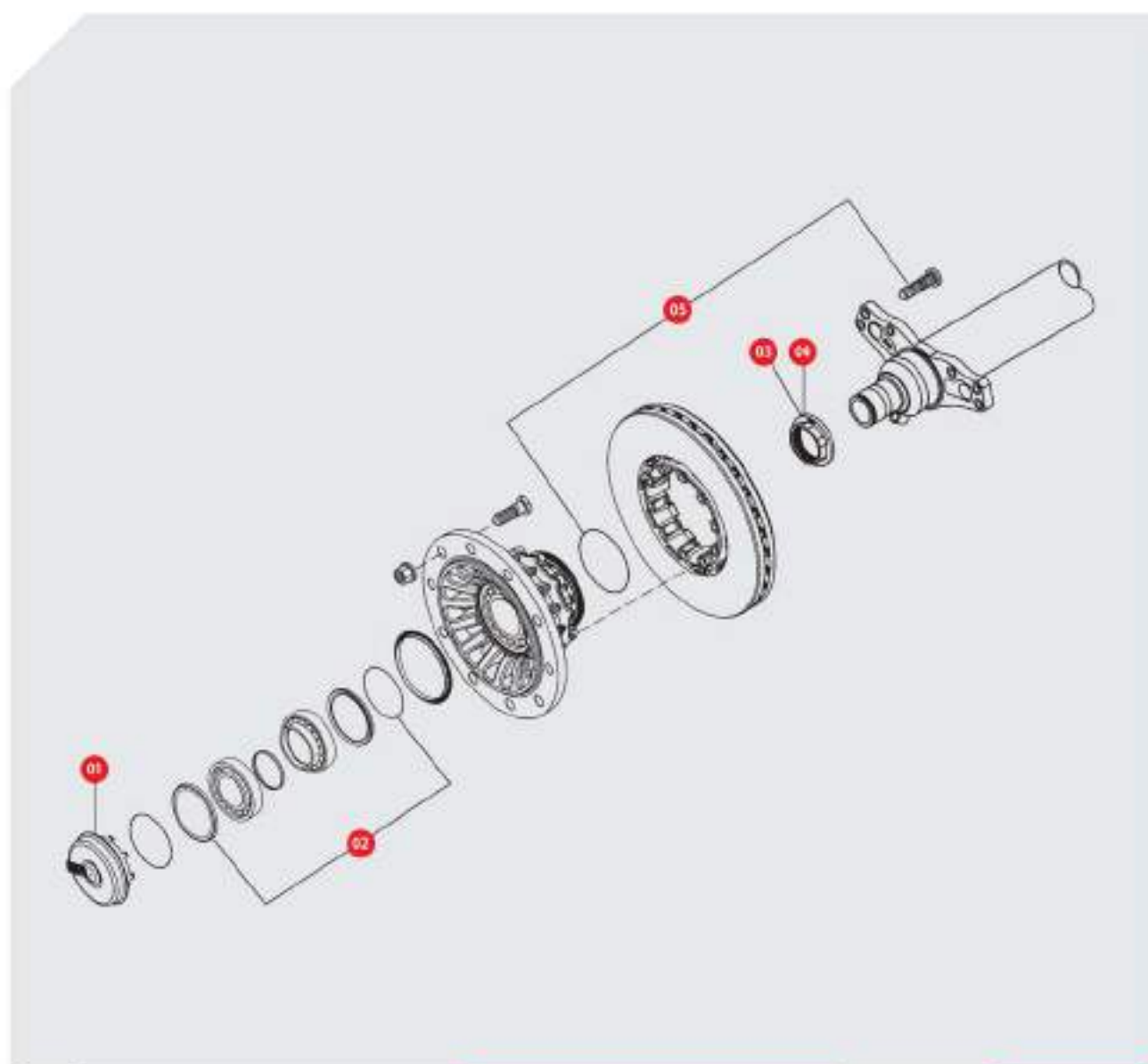
| N.º | Designación | Designation | SKRS 9042 Leva Ref. Onyarbi | Ref. Original |
|-----|--------------------------|-----------------------|-----------------------------------|---------------|
| 02 | Buje de rueda | Hüb | 90.19.09 | 3307300600 |
| 23 | Kit rep. 2 levas | Camshaft rep. kit | 90.19.33 | 3268003400 |
| 03 | Rodillo zapata | Cam roller | 90.19.44 | 1265001900 |
| 04 | Muelle zapata | Spring | 90.19.46 | 1447005800 |
| 05 | Pinza elástica | Spring clamp | 90.19.45 | 1151000800 |
| 06 | Palanca freno manual | Manual slack adjuster | 90.19.39 | 2175003700 |
| 07 | Zapata (420x180) | Brake shoe (420x180) | 90.19.47 | 3054012000 |
| 08 | Zapata (420x200) | Brake shoe (420x200) | 90.19.48 | 3054012200 |
| 09 | Tuerca del eje derecho | Axle nut right hand | 90.19.43 | 1011007001 |
| 10 | Tuerca del eje izquierdo | Axle nut left hand | 90.19.43.1 | 1011007101 |



| N.º | Designación | Designation | SKRS 9042/ 11242>98 Eje-Leva Ref. Onyarbi | Ref. Original |
|-----|---------------------------|--------------------------|--|---------------|
| 01 | Buje de rueda | Hub | 90.19.09 | 3307300600 |
| 02 | Palanca freno automática | Automatic slack adjuster | 80.14.35 | 4175024900 |
| 03 | Kit rep. leva | Camshaft rep. kit | 90.19.41 | 3268004700 |
| 04 | Kit rep. leva | Camshaft rep. kit | 90.19.42 | 3268004800 |
| 05 | Tuerca del eje dcha. | Axle nut right hand | 90.19.43 | 1011007001 |
| 05a | Tuerca del eje izda. | Axle nut left hand | 90.19.43.1 | 1011007101 |
| 06 | Rodillo de zapata 36,2x53 | Cam roller 36,2x53 | 90.19.44 | 1265001900 |
| 07 | Muelle de zapata | Spring | 90.19.46 | 1447005800 |
| 08 | Pinza elástica | Spring clamp | 90.19.45 | 1151000800 |
| 09 | Zapata (420x180) | Brake Shoe | 90.19.47 | 3054012000 |
| 10 | Zapata (420x200) | Brake Shoe | 90.19.48 | 3054012200 |



| N.º | Designación | Designation | SKRB 9019/9022 Ref. Onyarbi | Ref. Original |
|-----|--|-----------------------------------|-----------------------------------|---------------|
| 01 | Tapacubos | Hub cap | 90.19.64 | 3304009300 |
| 02 | Tuerca del eje derecho | Axel nut right hand | 90.19.63 | 1011008800 |
| 03 | Tuerca del eje izquierdo | Axel nut left hand | 90.19.63.1 | 1011008700 |
| 04 | Rodamiento compacto (Incluyendo anillo y tornillos) | Hub unit (Incl. O-ring and bolts) | 80.07.42 | 3434365000 |



| N.º | Designación | Designation | SKRB 9019/9022 Ref. Onyarbi | Ref. Original |
|-----|--------------------------------------|-----------------------------|-----------------------------------|---------------|
| 01 | Tapacubos con anillo | Hub cap with excitering | 90.19.66 | 3304010201 |
| 02 | Kit reparación rodamiento Integral | Repair kit bearing Integral | 90.19.65 | 3434301800 |
| 03 | Tuerca del eje derecho | Axle nut right hand | 90.19.63 | 1011008800 |
| 04 | Tuerca del eje izquierdo | Axle nut left hand | 90.19.63.1 | 1011008700 |
| 05 | Kit tornillo fijación freno de disco | Kit fixation brake disc | 90.19.67 | 3434366200 |

Freno/Tambor (Kit Reparación) Brake/Drum (Rep. Kit)

Kit Reparación 2 Zapatas Brake Shoe Kit



Ref. Onyarkit 90.19.51
Ref. Original -

Para To fit SAF/SAUER
SKRZ 9042/11242-98
EJE-LEVA

Kit Reparación Leva Camshaft Repair Kit



Ref. Onyarkit 90.19.41
Ref. Original 3268004700

Para To fit SAF/SAUER
SKRZ 9042/11242-98
EJE-LEVA

Kit Reparación Leva Camshaft Repair Kit



Ref. Onyarkit 90.19.42
Ref. Original 3268004800

Para To fit SAF/SAUER
SKRZ 9042/11242-98
EJE-LEVA

Kit Reparación Leva Camshaft Repair Kit



Ref. Onyarkit 90.19.28
Ref. Original 3268003400

Para To fit SAF/SAUER
RSM9042

Kit Eje de Zapata Brake Shoe Anchor Pin Kit



Ref. Onyarkit 90.19.08
Ref. Original 3213002301

Para To fit SAF/SAUER
RSM9042

Freno/Tambor (Kit Reparación Zapata) Brake/Drum (Rep. Kit)

Kit Reparación Zapata Brake Shoe Kit



Ref. Original 90.19.11
Ref. Original -

Para To fit **SAF/SAUER**
RMS9042

Kit Reparación Leva Camshaft Repair Kit



Ref. Original 90.19.10.2
Ref. Original -

Para To fit **SAF/SAUER**
RSM-RMZ

Kit Reparación Leva Camshaft Repair Kit



Ref. Original 90.19.12.2
Ref. Original 3434360100

Para To fit **SAF/SAUER**
RSM-RMZ

Kit Reparación Leva Camshaft Repair Kit



Ref. Original 90.19.33
Ref. Original 3268003400

Para To fit **SAF/SAUER**
SKRS

Kit Arandelas para Leva Freno Washer Kit for Camshaft



Ref. Original 90.19.61
Ref. Original 3317001600

Para To fit **SAF/SAUER**
SKRZ 9042/11242>98
EJE-LEVA

Kit Reparación Leva Camshaft Repair Kit



Ref. Original 90.19.62.1
Ref. Original 3434363900

Para To fit **SAF/SAUER**
SKRZ 9042/11242>98
EJE-LEVA

Freno/Disco (Kit Reparación) Brake/Disc (Rep. Kit)
**Kit Reparación Rodamiento Integral
Repair Kit bearing Integral**


| | | | |
|----------------------|------------|--------------------|--|
| Ref. Ouyachi | 90.19.65 | Para To fit | |
| Ref. Original | 3434301800 | SKRB INTEGRAL | |

**Elementos Kit Rep. Rodamiento Integral
Repair Kit Wheel Hub Without Bearings**


| | | | |
|----------------------|------------|--------------------|--|
| Ref. Ouyachi | 90.19.65.1 | Para To fit | |
| Ref. Original | 3434302300 | SKRB INTEGRAL | |

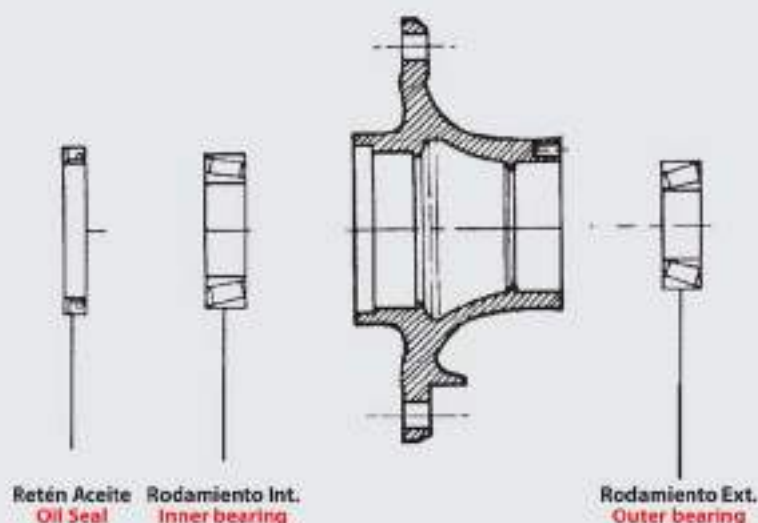
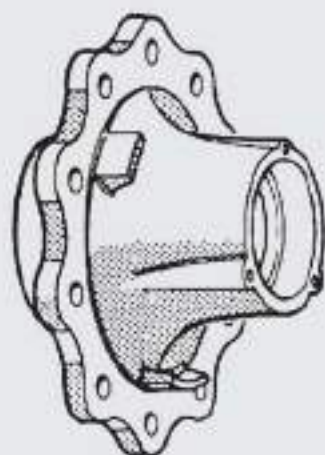
**Kit Tornillo Fijación Disco Freno
Kit Fixation Brake Disc**


| | | | |
|----------------------|------------|--------------------|--|
| Ref. Ouyachi | 90.19.67 | Para To fit | |
| Ref. Original | 3434366200 | SKRB INTEGRAL | |

**Buje Rodamiento Compacto (Incl. Anillo y Tornillos)
Hub Unit (Incl. O Ring and Bolts)**


| | | | |
|----------------------|------------|--------------------|--|
| Ref. Ouyachi | 80.07.42 | Para To fit | |
| Ref. Original | 3434365000 | SKRB 9019/9022 | |

BUJES HUBS



| Tipo de Eje Axle Type | Ref. Onyarbi | Ref. Original | Rodamiento Int. Inner bearing | Rodamiento Ext. Outer bearing | Retén Aceite Oil Seal |
|--------------------------|--------------|---------------|----------------------------------|----------------------------------|--------------------------|
| FRUEHAUF | | | | | |
| P13, P15, PSL | 10.02.30 | AJB0038001 | 80.07.02 | 80.07.02 | 80.09.03 |
| SMB | | | | | |
| C1, C2 | 14.02.27 | M007851 | 80.07.01 | 80.07.01 | 80.09.02 |
| D1, K1, K5 | 14.02.29 | M069034 | 80.07.01 | 80.07.01 | 80.09.02 |
| BPW | | | | | |
| EHS, EHZ (12 Tm) | 30.02.33 | 0327248320 | 80.07.07 | 80.07.08 | - |
| HR (10-12 Tm) | 30.02.34 | 0327248460 | 80.07.07 | 80.07.08 | - |
| HS/HZ (13-14 Tm) | 30.02.35 | 0327262210 | 80.07.11 | 80.07.12 | - |
| HR - ECO (10 Tm) | 30.02.36 | 0327248780 | 80.07.07 | 80.07.08 | 80.09.11 |
| HR - ECO (9 Tm) | 30.02.40 | 0327230870 | 80.07.06 | 80.07.05 | 80.09.10 |
| HR (6,5-9 Tm) | 30.02.38 | 0327230620 | 80.07.06 | 80.07.05 | - |
| HS/HZ (13-14 Tm) | 30.02.44 | 0327262270 | 80.07.11 | 80.07.12 | - |
| H - ECO+ (10-12 Tm) | 30.02.51 | 0327243120 | 80.07.07 | 80.07.08 | - |
| TRAILOR | | | | | |
| L200, N400 | 40.02.29 | 6502795A | 80.07.03 | 80.07.04 | 80.09.04 |
| MERITOR | | | | | |
| TM | 50.02.43 | 21204562 | 80.07.09 | 80.07.08 | 80.09.05 |
| TE | 50.02.44 | 21219764 | 80.07.06 | 80.07.05 | 80.09.07 |
| LM | 50.02.45 | 21224748 | 80.07.16 | 80.07.16 | 80.09.05 |
| SAF/SAUER | | | | | |
| SKR5 9042/11242 | 90.19.09 | 3307300600 | - | - | - |

RODAMIENTOS BEARINGS

| Ref. Onyarbi | O.E.M. | S.K.F. | Rodamiento N.º Bearing # | Medidas Dimensions | Peso, Kg Weight, Kg | Marcas Brands |
|--------------|-------------|----------|-----------------------------|-----------------------|------------------------|------------------|
| 80.07.01 | M003168 | VKHB2029 | 218248/218210 | 90/147X40 | 2,49 | SMB |
| 80.07.02 | AJA0813001 | VKHB2227 | 518445/518410 | 89/152,5X40 | 2,85 | FRUEHAUF |
| 80.07.03 | 6015000D | - | 524850 | 80/130X35 | 1,77 | TRAILOR |
| 80.07.04 | 6014000T | - | 524851 | 90/145X35 | 2,12 | TRAILOR |
| 80.07.05 | 0264065000 | VKHB2070 | 32310 | 50/110X42,5 | 1,90 | BPW |
| 80.07.06 | 0264088000 | VKHB2326 | 33116 | 80/130X37 | 1,88 | BPW |
| 80.07.07 | 0264089000 | VKHB2331 | 33118 | 90/150X45 | 3,175 | BPW |
| 80.07.08 | 0264076500 | VKHB2051 | 33213 | 65/120X41 | 2,02 | BPW |
| 80.07.09 | 99041035 | VKHB2029 | 218210/218248 | 90/147X40 | 2,49 | ROR |
| 80.07.11 | 0264059500 | VKHB2031 | 32219 | 95/170X45 | 4,20 | BPW-SAF |
| 80.07.12 | 0264077500 | VKHB2028 | 33215 | 75/130X41 | 2,14 | BPW |
| 80.07.13 | 99041054 | VKHB2030 | 32218 | 90/160X42 | 3,45 | BPW |
| 80.07.14 | 0009812205 | VKHB2080 | 32217 | 85/150X38 | 2,50 | BPW-SAF-MB |
| 80.07.15 | 0029814705 | VKHB2225 | 33217 | 85/150X49 | 3,70 | BPW-VOLVO |
| 80.07.16.1 | 99041075 | VKHB2315 | BT1-0163 | 82/140X32,5 | 2,16 | ROR |
| 80.07.17 | 4200101000 | VKHB2247 | 32924 | 120/165X29 | 1,84 | SAF |
| 80.07.19 | 528983 | VKHB2132 | 331933/Q | 70/130X57,5 | 2,86 | VOLVO-MAN-MB |
| 80.07.20 | 534565 | VKHB2071 | 332330B/Q | 70/130X57,5 | 2,77 | MB |
| 80.07.21 | 5516010573 | VKHB2018 | 32207J2/Q | 35/72X24 | 0,46 | VOLVO-SCANIA-RVI |
| 80.07.22 | 079812505 | VKHB2155 | 331293/Q | 75/115X32 | 1,156 | MB |
| 80.07.23 | 5000788712 | VKHB2182 | 33207/Q | 35/72X28 | 0,56 | RVI-VOLVO |
| 80.07.24 | 23336006 | VKHB2042 | 683/672 | 95/168X41 | 3,71 | VOLVO |
| 80.07.25 | 184794 | VKHB2043 | 663/653 | 82/146X41 | 2,75 | VOLVO |
| 80.07.26 | 20428192 | VKHB2036 | 39580/39520 | 57/112X30 | 1,32 | VOLVO |
| 80.07.27 | 00598114905 | VKHB2162 | 33021 | 105/160X43 | 2,97 | MAN-MB |
| 80.07.28 | 06324990036 | VKHB2082 | 33019 | 95/145X39 | 2,30 | MAN-DAF |
| 80.07.29 | 06324990155 | VKHB2163 | 33022 | 110/170X47 | 3,76 | MAN-DAF |
| 80.07.46 | 0029811205 | VKHB2191 | 32010 | 50/80X20 | 0,37 | MB-RVI |
| 80.07.47 | 1102860 | VKHB2216 | 32024 | 120/180X38 | 3,17 | IVECO-MAN |
| 80.07.48 | 123630 | VKHB2297 | 32220 | 100/180X49 | 5,06 | IVECO-ROR |
| 80.07.49 | 0039811105 | VKHB2056 | 33109 | 45/80X26 | 0,53 | MB |
| 80.07.51 | 1699340 | VKHB2003 | 33312 | 60/130X48,5 | 2,87 | VOLVO |
| 80.07.52 | 06324990019 | VKT8864 | 32313 | 65/140X51 | 3,63 | MAN |
| 80.07.40 | 20518637 | VKBA5425 | 566426H195 | 68/125X115 | 4,77 | VOLVO |
| 80.07.41 | 1476945 | VKBA5314 | 571762H195 | 68X127/132X115 | 6,25 | SCANIA |
| 80.07.42 | 3434365000 | VKBA5549 | 564734H195 | 82/196X110 | 13,76 | SAF |
| 80.07.43 | 4200101900 | - | 805415A | 82/138X110 | 5,50 | SAF |
| 80.07.44 | 7180066 | VKBA3552 | BTH1011AB | 55/90X60 | 1,40 | IVECO |
| 80.07.45 | 7136908300 | VKBA3551 | BTH1024C | 40/73X55 | 1,00 | IVECO |
| 80.07.50 | 0149815105 | VKBA5412 | BTH0055 | 82/140X115 | 6,47 | MB-MAN |

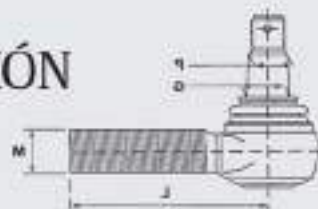
RODAMIENTOS BEARINGS

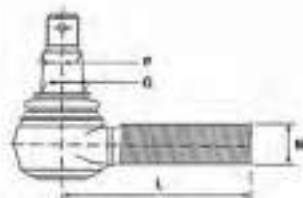
| Ref. Onyarbi | O.E.M. | S.K.F. | Rodamiento N.º Bearing # | Medidas Dimensions | Peso, Kg Weight, Kg | Marcas Brands |
|--------------|----------------|----------|-----------------------------|-----------------------|------------------------|------------------|
| 80.07.91 | 81934200096 | SET1082 | 32313 | 65/140X51 | 3,400 | MAN |
| 80.07.95 | 81934200078 | SET1109 | 33209 | 45/85X32 | 0,770 | MAN |
| 80.07.76 | 181669/181668 | VKHB2001 | 32308 | 40/90X35,20 | 1,020 | VOLVO |
| 80.07.69 | 183338 | VKHB2002 | 32311 | 55/120X45,5 | 2,290 | VOLVO |
| 80.07.102 | 264064500 | VKHB2004 | 32309 | 45/100X38,25 | 1,350 | BPW |
| 80.07.77 | 11073 | VKHB2007 | 32306 | 30/72X28,75 | 0,580 | VOLVO |
| 80.07.70 | 183765/11099 | VKHB2017 | 32210 | 50/90X24,75 | 0,650 | VOLVO |
| 80.07.82 | 26800140 | VKHB2020 | 32208 | 40/80X24,75 | 0,560 | IVECO |
| 80.07.71 | 11067/181087 | VKHB2026 | 32216 | 80/140X35,25 | 2,000 | VOLVO |
| 80.07.72 | 183667/183767 | VKHB2046 | 33015 | 75/115X31 | 1,150 | VOLVO |
| 80.07.83 | 7160360 | VKHB2059 | 33111 | 55/95X30 | 0,860 | IVECO |
| 80.07.87 | 9819002 | VKHB2060 | 32011 | 55/90X23 | 0,570 | MB |
| 80.07.80 | 7165686 6 | VKHB2061 | 33211 | 55/100X35 | 1,200 | IVECO |
| 80.07.92 | 324890004 | VKHB2068 | 33210 | 50/90X32 | 0,830 | MAN |
| 80.07.81 | 26800640 | VKHB2072 | 32314 | 70/150X54 | 4,090 | IVECO |
| 80.07.99 | 1911810 | VKHB2147 | JF10049/10 | 100/165X47 | 3,880 | SCANIA |
| 80.07.88 | ----- | VKHB2156 | 33011 | 55/90X27 | 0,700 | MB |
| 80.07.100 | 640618 | VKHB2157 | 32016 | 80/125X29 | 1,270 | DAF |
| 80.07.84 | 7164196 1 | VKHB2158 | 33117 | 85/140X41 | 2,500 | IVECO |
| 80.07.96 | 415140 | VKHB2160 | 32021 | 105/160X35 | 2,380 | SCANIA |
| 80.07.90 | 6324890012 | VKHB2161 | 32019 | 95/145X32 | 1,820 | MAN |
| 80.07.78 | 184623/1699173 | VKHB2170 | 32018 | 90/140X32 | 1,780 | VOLVO |
| 80.07.93 | ----- | VKHB2172 | 331974A/Q | 106/160X35 | 2,400 | MAN |
| 80.07.73 | 183245 | VKHB2175 | 39590/39520 | 66,6/112,7X30,16 | 1,140 | VOLVO |
| 80.07.94 | 6324990039 | VKHB2214 | 33113 | 65/110X34 | 1,300 | MAN |
| 80.07.85 | 1102864 | VKHB2215 | 30221 | 105/190X39 | 4,510 | IVECO |
| 80.07.74 | 184678 | VKHB2222 | 33115 | 75/125X37 | 1,800 | VOLVO |
| 80.07.75 | 1699339 | VKHB2225 | 33217 | 85/150X49 | 3,590 | VOLVO |
| 80.07.101 | 556290 | VKHB2232 | 33216 | 80/140X46 | 2,850 | DAF |
| 80.07.86 | 1102858 | VKHB2248 | 30218 | 90/160X32,5 | 2,630 | IVECO |
| 80.07.98 | 362226 | VKHB2281 | 32022 | 110/170X38 | 3,070 | SCANIA |
| 80.07.79 | 184625 | VKHB2306 | 32020 | 100/150X32 | 1,930 | VOLVO |
| 80.07.97 | 264961/1364635 | VKHB2321 | 33017 | 85/130X36 | 1,740 | SCANIA |
| 80.07.89 | 49810705 | | 33022 | 110/170X47 | 3,890 | MB |

RETENES DE ACEITE OIL SEALS

| Ref. Onyarbi | O.E.M. | Medidas Dimensiones | Marcas Brands | Aplicación Applications |
|--------------|-------------|------------------------|------------------|----------------------------|
| 80.09.02 | M100500 | 108X153/185X20 (100R) | SMB | C1/C2/D1/K1/K5/L1/L2 |
| 80.09.08 | M100845 | 108X153/185X20 (80R) | SMB | C3/C5 |
| 80.09.09 | M910021-03 | 110X153/160X17 | SMB | C1/C2/C3/D1/K1/K5 |
| 80.09.03 | AJA0564-001 | 106X152X31 | FRUEHAUF | PROPAR/P/PS/PS2 |
| 80.09.04 | 6502058P | 110X146X24 | TRAILOR | L200TEN/LUN/L400TEM/LUN |
| 80.09.05 | 21200321A | 117X153X25,5 | ROR | LM-TA/TAC |
| 80.09.06 | 21200321B | 117X153X25,5 | ROR | TM |
| 80.09.07 | 21220158 | 100X135X15 | ROR | TE9000 |
| 80.09.10 | 0256645700 | 115X136,7X8 | BPW | ECO 6,5-9TN |
| 80.09.11 | 0256645800 | 135X156,7X8 | BPW | NR (6,5-9TN) |
| 80.09.12 | 0256642657 | 125X143X13 | BPW | NR (10-12TN) |
| 80.09.13 | 0256644657 | 145X167X13 | BPW | ECO PLUS 8-9TN, H-SV-SKH |
| 80.09.16 | 0256647400 | 117,5X158X17,5 | BPW | ECO PLUS 10-12TN, H-SV-SKH |
| 80.09.14 | 4373004300 | 142X180X12 | SAF | SKRS/SKRZ (>95) |
| 80.09.15 | 4373004400 | 144X178X12 | SAF | SKRS/SKRZ (>95) |
| 80.09.16 | 0256647400 | 117,5X158X17,5 | BPW | ECO PLUS |
| | | | | |
| | | | | |
| | | | | |
| | | | | |







Ref. ONYARBI
ONYARBI Ref. **80.13.01** Derecho
Right



| Ref. OEM OEM Ref. | Vehículo Vehicle | | |
|----------------------|---------------------|------|----|
| 5000240688 | | | |
| 5000242475 | Magnum AE 420. | | |
| 5000242479 | Magnum AE 386. | | |
| 5000242485 | Premium, R 340. | | |
| 5000253852 | R 350 | | |
| 5000275496 | | | |
| M | L | P | G |
| M30X1,5 | 125 | 27,1 | 30 |

Ref. ONYARBI
ONYARBI Ref. **80.13.02** Izquierdo
Left



| Ref. OEM OEM Ref. | Vehículo Vehicle | | |
|----------------------|---------------------|------|----|
| 5000288381 | | | |
| 5001832581 | Magnum AE 420. | | |
| 0033401170 | Magnum AE 386. | | |
| | Premium, R.340. | | |
| | R 350 | | |
| M | L | P | G |
| M30X1,5 | 125 | 27,1 | 30 |

Ref. ONYARBI
ONYARBI Ref. **80.13.03** Derecho
Right

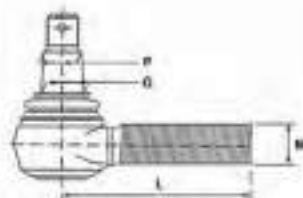


| Ref. OEM OEM Ref. | Vehículo Vehicle | | |
|----------------------|---------------------|------|----|
| 5000242159 | | | |
| 5000295214 | | | |
| 5000812483 | Midliner (M-S) | | |
| 5001831473 | | | |
| 5001850549 | | | |
| 5001852264 | | | |
| 7701016946 | | | |
| M | L | P | G |
| M30X1,5 | 115 | 23,5 | 26 |

Ref. ONYARBI
ONYARBI Ref. **80.13.04** Izquierdo
Left



| Ref. OEM OEM Ref. | Vehículo Vehicle | | |
|----------------------|---------------------|------|----|
| 0003408218 | | | |
| 5000295215 | | | |
| 5001850550 | Midliner (M-S) | | |
| M | L | P | G |
| M30X1,5 | 115 | 23,5 | 26 |



Ref. ONYARBI
ONYARBI Ref. 80.13.05

Derecho
Right



| Ref. OEM OEM Ref. | Vehículo Vehicle | | |
|----------------------|---------------------|------|----|
| 5000823987 | Midliner | | |
| 0003405242 | | | |
| 5000559335 | | | |
| | | | |
| | | | |
| M | L | P | G |
| M28X1,5 | 105 | 19,9 | 22 |

Ref. ONYARBI
ONYARBI Ref. 80.13.06

Izquierdo
Left



| Ref. OEM OEM Ref. | Vehículo Vehicle | | |
|----------------------|---------------------|------|----|
| 5000559338 | Midliner | | |
| 5000823947 | | | |
| 5000823997 | | | |
| | | | |
| | | | |
| M | L | P | G |
| M28X1,5 | 105 | 19,9 | 22 |

Ref. ONYARBI
ONYARBI Ref. 80.13.13

Derecho
Right



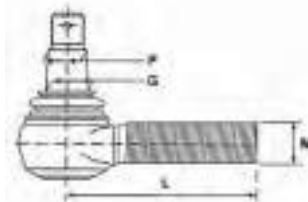
| Ref. OEM OEM Ref. | Vehículo Vehicle | | |
|----------------------|---------------------|------|----|
| 0003406252 | S.J. | | |
| 5000807554 | | | |
| 5000814097 | | | |
| | | | |
| | | | |
| M | L | P | G |
| M24X1,5 | 95 | 18,1 | 20 |

Ref. ONYARBI
ONYARBI Ref. 80.13.14

Izquierdo
Left



| Ref. OEM OEM Ref. | Vehículo Vehicle | | |
|----------------------|---------------------|------|----|
| 5000807553 | S.J. | | |
| 5000814096 | | | |
| | | | |
| | | | |
| | | | |
| M | L | P | G |
| M24X1,5 | 95 | 18,1 | 20 |



Ref. ONYARBI
ONYARBI Ref.: **80.13.05**

Derecho
Right



| Ref. OEM OEM Ref. | Vehículo Vehicle | | |
|----------------------|---------------------|------|----|
| 1517440 | B6, F6 | | |
| 1517444 | | | |
| 1698191 | | | |
| | | | |
| M | L | P | G |
| M28X1,5 | 105 | 19,9 | 22 |

Ref. ONYARBI
ONYARBI Ref.: **80.13.06**

Izquierdo
Left



| Ref. OEM OEM Ref. | Vehículo Vehicle | | |
|----------------------|---------------------|------|----|
| 1517439 | B6, F6 | | |
| 1698190 | | | |
| | | | |
| | | | |
| M | L | P | G |
| M28X1,5 | 105 | 19,9 | 22 |

Ref. ONYARBI
ONYARBI Ref.: **80.13.07**

Derecho
Right



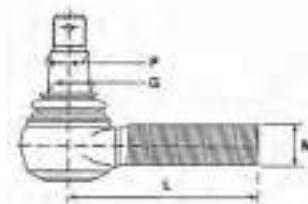
| Ref. OEM OEM Ref. | Vehículo Vehicle | | |
|----------------------|---|----|----|
| 1507823 | F7, F10, F12, F16, FL6, FL7, FL10, FL12 | | |
| 1698532 | | | |
| 1698846 | | | |
| 3092472 | | | |
| 3988968 | | | |
| M | L | P | G |
| M30X1,5 | 125 | 24 | 29 |

Ref. ONYARBI
ONYARBI Ref.: **80.13.08**

Izquierdo
Left



| Ref. OEM OEM Ref. | Vehículo Vehicle | | |
|----------------------|---|----|----|
| 1507822 | F7, F10, F12, F16, FL6, FL7, FL10, FL12 | | |
| 1698533 | | | |
| 1698847 | | | |
| 3092471 | | | |
| 3988965 | | | |
| M | L | P | G |
| M30X1,5 | 125 | 24 | 29 |



Ref. ONYARBI
ONYARBI Ref.: 80.13.09

Derecho
Right



| Ref. OEM OEM Ref. | | Vehículo Vehicle | |
|----------------------|-----|---------------------|------|
| 1695585 | | FL7, FL10, FL12 | |
| 1695776 | | | |
| 1698557 | | | |
| | | | |
| M | L | P | G |
| M30X1,5 | 125 | 27 | 31,5 |

Ref. ONYARBI
ONYARBI Ref.: 80.13.10

Izquierdo
Left



| Ref. OEM OEM Ref. | | Vehículo Vehicle | |
|----------------------|-----|---------------------|------|
| 1131744 | | FL7, FL10, FL12 | |
| 1698558 | | | |
| 1698840 | | | |
| | | | |
| M | L | P | G |
| M30X1,5 | 125 | 27 | 31,5 |

Ref. ONYARBI
ONYARBI Ref.: 80.13.11

Izquierdo
Left



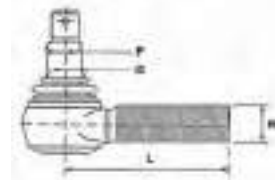
| Ref. OEM OEM Ref. | | Vehículo Vehicle | |
|----------------------|-----|---------------------------------------|----|
| 3090728 | | F7, F10, F12, F16, FL7, FH12, FH16 | |
| 3110001 | | | |
| 3988968 | | | |
| | | | |
| M | L | P | G |
| M30X1,5 | 125 | 24 | 29 |

Ref. ONYARBI
ONYARBI Ref.: 80.13.12

Derecho
Right



| Ref. OEM OEM Ref. | | Vehículo Vehicle | |
|----------------------|-----|---------------------------------------|----|
| 3090727 | | F7, F10, F12, F16, FL7, FH12, FH16 | |
| | | | |
| | | | |
| | | | |
| M | L | P | G |
| M30X1,5 | 125 | 24 | 29 |



Ref. ONYARBI
ONYARBI Ref.: **80.13.13**

Derecho
Right



| Ref. OEM OEM Ref. | | Vehículo Vehicle | |
|----------------------|----|---|----|
| 1190778 | | B7R, B10B, B10M, B12, F4, F10, F12, FL7, FL10 | |
| 1517449 | | | |
| 1518142 | | | |
| M | L | P | G |
| M24X1,5 | 95 | 18,1 | 20 |

Ref. ONYARBI
ONYARBI Ref.: **80.13.14**

Izquierdo
Left



| Ref. OEM OEM Ref. | | Vehículo Vehicle | |
|----------------------|----|---|----|
| 1517448 | | B7R, B10B, B10M, B12, F4, F10, F12, FL7, FL10 | |
| | | | |
| | | | |
| M | L | P | G |
| M24X1,5 | 95 | 18,1 | 20 |

Ref. ONYARBI
ONYARBI Ref.: **80.13.01**

Derecho
Right



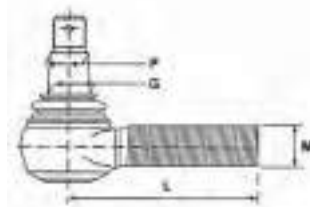
| Ref. OEM OEM Ref. | | Vehículo Vehicle | |
|----------------------|-----|---------------------------------|----|
| 1358793 | | Series 2, Series 3, Series 4 | |
| 283784 | | | |
| 395010 | | | |
| M | L | P | G |
| M30X1,5 | 125 | 27,1 | 30 |

Ref. ONYARBI
ONYARBI Ref.: **80.13.02**

Izquierdo
Left



| Ref. OEM OEM Ref. | | Vehículo Vehicle | |
|----------------------|-----|---------------------------------|----|
| 1358792 | | Series 2, Series 3, Series 4 | |
| 1738380 | | | |
| 283783 | | | |
| 395009 | | | |
| M | L | P | G |
| M30X1,5 | 125 | 27,1 | 30 |



Ref. ONYARBI
ONYARBI Ref.: **80.13.01**

Derecho
Right



| Ref. OEM OEM Ref. | Vehículo Vehicle | | |
|----------------------|--|------|----|
| 81953010016 | F2000, F90, M2000, M90, SG, SL, TGA | | |
| 81953010084 | | | |
| 81953016048 | | | |
| 81953016049 | | | |
| 81953016053 | | | |
| 81953016090 | | | |
| 81953016108 | | | |
| 81953016112 | | | |
| 81953016126 | | | |
| 81953016143 | | | |
| 81953016278 | | | |
| M | L | P | G |
| M30X1,5 | 125 | 27,1 | 30 |

Ref. ONYARBI
ONYARBI Ref.: **80.13.02**

Izquierdo
Left



| Ref. OEM OEM Ref. | Vehículo Vehicle | | |
|----------------------|--|------|----|
| 81953010015 | F2000, F90, M2000, M90, SG, SL, TGA | | |
| 81953010083 | | | |
| 81953010087 | | | |
| 81953016030 | | | |
| 81953016043 | | | |
| 81953016050 | | | |
| 81953016054 | | | |
| 81953016087 | | | |
| 81953016091 | | | |
| 81953016017 | | | |
| 81953016125 | | | |
| M | L | P | G |
| M30X1,5 | 125 | 27,1 | 30 |

Ref. ONYARBI
ONYARBI Ref.: **80.13.03**

Derecho
Right



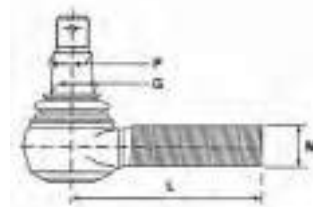
| Ref. OEM OEM Ref. | Vehículo Vehicle | | |
|----------------------|-----------------------------|------|----|
| 81953010014 | F2000, L2000, M2000, M90 | | |
| 81953010064 | | | |
| 81953016067 | | | |
| 81953016162 | | | |
| 81953016239 | | | |
| 9080415311 | | | |
| M | L | P | G |
| M30X1,5 | 115 | 23,5 | 26 |

Ref. ONYARBI
ONYARBI Ref.: **80.13.04**

Izquierdo
Left



| Ref. OEM OEM Ref. | Vehículo Vehicle | | |
|----------------------|-----------------------------|------|----|
| 81953016068 | F2000, L2000, M2000, M90 | | |
| 81953016163 | | | |
| 90804153107 | | | |
| 90804153113 | | | |
| M | L | P | G |
| M30X1,5 | 115 | 23,5 | 26 |



Ref. ONYARBI
ONYARBI Ref.: 80.13.05

Derecho
Right



| Ref. OEM OEM Ref. | | Vehículo Vehicle | |
|----------------------|-----|---------------------|----|
| 81953016060 | | G90, L2000, M2000 | |
| 81953016135 | | | |
| 81953016140 | | | |
| 81953016249 | | | |
| M | L | P | G |
| M28X1,5 | 105 | 19,9 | 22 |

Ref. ONYARBI
ONYARBI Ref.: 80.13.06

Izquierdo
Left



| Ref. OEM OEM Ref. | | Vehículo Vehicle | |
|----------------------|-----|---------------------|----|
| 81953010079 | | G90, L2000, M2000 | |
| 81953016139 | | | |
| 81953016222 | | | |
| | | | |
| M | L | P | G |
| M28X1,5 | 105 | 19,9 | 22 |

Ref. ONYARBI
ONYARBI Ref.: 80.13.13

Derecho
Right



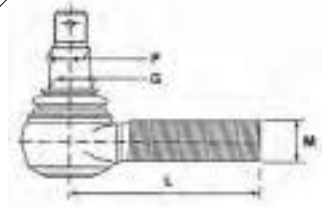
| Ref. OEM OEM Ref. | | Vehículo Vehicle | |
|----------------------|----|---------------------------|----|
| 81953010077 | | L2000, M2000, M90, G90 | |
| 81953016134 | | | |
| 81953016142 | | | |
| 81953016303 | | | |
| M | L | P | G |
| M24X1,5 | 95 | 18,1 | 20 |

Ref. ONYARBI
ONYARBI Ref.: 80.13.14

Izquierdo
Left



| Ref. OEM OEM Ref. | | Vehículo Vehicle | |
|----------------------|----|---------------------------|----|
| 81953010078 | | L2000, M2000, M90, G90 | |
| 81953016141 | | | |
| 81953016304 | | | |
| | | | |
| M | L | P | G |
| M24X1,5 | 95 | 18,1 | 20 |



Ref. ONYARBI
ONYARBI Ref.: 80.13.01

Derecho
Right



| Ref. OEM OEM Ref. | Vehículo Vehicle | | |
|----------------------|------------------------|------|----|
| 0004600348 | ACTROS, ATEGO, AXOR | | |
| 0004602848 | | | |
| 0004602948 | | | |
| 0014600848 | | | |
| 0014601248 | | | |
| 0014602248 | | | |
| | | | |
| M | L | P | G |
| M30X1,5 | 125 | 27,1 | 30 |

Ref. ONYARBI
ONYARBI Ref.: 80.13.02

Izquierdo
Left



| Ref. OEM OEM Ref. | Vehículo Vehicle | | |
|----------------------|------------------------|------|----|
| 0004600648 | ACTROS, ATEGO, AXOR | | |
| 0004601248 | | | |
| 0004603448 | | | |
| 0004603548 | | | |
| 0014600348 | | | |
| 0014601448 | | | |
| 0014602348 | | | |
| 0014603148 | | | |
| 0014603748 | | | |
| | | | |
| M | L | P | G |
| M30X1,5 | 125 | 27,1 | 30 |

Ref. ONYARBI
ONYARBI Ref.: 80.13.03

Derecho
Right



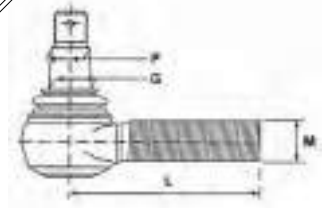
| Ref. OEM OEM Ref. | Vehículo Vehicle | | |
|----------------------|------------------------|------|----|
| 0003300248 | ACTROS, ATEGO, AXOR | | |
| 0003303235 | | | |
| 0003383410 | | | |
| 0004632229 | | | |
| 0004633429 | | | |
| | | | |
| M | L | P | G |
| M30X1,5 | 115 | 23,5 | 26 |

Ref. ONYARBI
ONYARBI Ref.: 80.13.04

Izquierdo
Left



| Ref. OEM OEM Ref. | Vehículo Vehicle | | |
|----------------------|------------------------|------|----|
| 0003300148 | ACTROS, ATEGO, AXOR | | |
| 0013308835 | | | |
| 3023300035 | | | |
| 3023300135 | | | |
| 3023300235 | | | |
| 3023300335 | | | |
| | | | |
| M | L | P | G |
| M30X1,5 | 115 | 23,5 | 26 |



Ref. ONYARBI
ONYARBI Ref.: 80.13.05

Derecho
Right



| Ref. OEM OEM Ref. | Vehículo Vehicle | | |
|----------------------|---------------------|------|----|
| 0003301435 | T2, LK, MK, SK | | |
| 0003301535 | | | |
| 0003309335 | | | |
| 0003309535 | | | |
| | | | |
| M | L | P | G |
| M28X1,5 | 105 | 19,9 | 22 |

Ref. ONYARBI
ONYARBI Ref.: 80.13.06

Izquierdo
Left



| Ref. OEM OEM Ref. | Vehículo Vehicle | | |
|----------------------|---------------------|------|----|
| 0003303335 | T2, LK, MK, SK | | |
| 0003307235 | | | |
| 0003309435 | | | |
| | | | |
| | | | |
| M | L | P | G |
| M28X1,5 | 105 | 19,9 | 22 |

Ref. ONYARBI
ONYARBI Ref.: 80.13.13

Derecho
Right



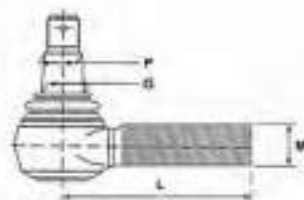
| Ref. OEM OEM Ref. | Vehículo Vehicle | | |
|----------------------|---------------------|------|----|
| 0003300635 | LP, LK, MK | | |
| 0003308535 | | | |
| 0003308735 | | | |
| 0003382410 | | | |
| 0004633229 | | | |
| M | L | P | G |
| M24X1,5 | 95 | 18,1 | 20 |

Ref. ONYARBI
ONYARBI Ref.: 80.13.14

Izquierdo
Left



| Ref. OEM OEM Ref. | Vehículo Vehicle | | |
|----------------------|---------------------|------|----|
| 0003300235 | LP, LK, MK | | |
| 0003300735 | | | |
| 0003306835 | | | |
| 0003308635 | | | |
| 0003308835 | | | |
| M | L | P | G |
| M24X1,5 | 95 | 18,1 | 20 |



Ref. ONYARBI
ONYARBI Ref. 80.13.01

Derecho
Right



| Ref. OEM OEM Ref. | Vehículo Vehicle | | |
|----------------------|--|------|----|
| 0698450 | F1600, F1700, F1800, F1900, F2000, F2100, F2200 | | |
| 0607981 | | | |
| 1257890 | | | |
| 1603789 | | | |
| M | L | P | G |
| M30X1,5 | 125 | 27,1 | 30 |

Ref. ONYARBI
ONYARBI Ref. 80.13.02

Izquierdo
Left



| Ref. OEM OEM Ref. | Vehículo Vehicle | | |
|----------------------|--|------|----|
| 0607053 | F1600, F1700, F1800, F1900, F2000, F2100, F2200 | | |
| 0696225 | | | |
| 1228115 | | | |
| | | | |
| M | L | P | G |
| M30X1,5 | 125 | 27,1 | 30 |

Ref. ONYARBI
ONYARBI Ref. 80.13.03

Derecho
Right



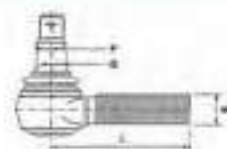
| Ref. OEM OEM Ref. | Vehículo Vehicle | | |
|----------------------|--|------|----|
| 0586753 | 65DE, 75CE, F1300, F1400, F1500, F1600, F1700, F1900 | | |
| 0607999 | | | |
| 0694298 | | | |
| 0694360 | | | |
| 0698609 | | | |
| 1229944 | | | |
| 1326896 | | | |
| 1331925 | | | |
| M | L | P | G |
| M30X1,5 | 125 | 23,5 | 26 |

Ref. ONYARBI
ONYARBI Ref. 80.13.04

Izquierdo
Left



| Ref. OEM OEM Ref. | Vehículo Vehicle | | |
|----------------------|--|------|----|
| 0311300 | 65DE, 75CE, F1300, F1400, F1500, F1600, F1700, F1900 | | |
| 0607998 | | | |
| 1315447 | | | |
| 1319838 | | | |
| 1338714 | | | |
| | | | |
| M | L | P | G |
| M30X1,5 | 125 | 23,5 | 26 |



Ref. ONYARBI
ONYARBI Ref. 80.13.05 **Derecho** ▶
Right



| Ref. OEM OEM Ref. | Vehículo Vehicle | | |
|----------------------|--------------------------|------|----|
| 0110197 | F45, F1200, F1700, F1900 | | |
| 0607451 | | | |
| 0607453 | | | |
| 1228114 | | | |
| M | L | P | G |
| M28X1,5 | 105 | 19,9 | 22 |

Ref. ONYARBI
ONYARBI Ref. 80.13.06 **Izquierdo** ◀
Left



| Ref. OEM OEM Ref. | Vehículo Vehicle | | |
|----------------------|--------------------------|------|----|
| 0607452 | F45, F1200, F1700, F1900 | | |
| 0607454 | | | |
| 0110196 | | | |
| | | | |
| M | L | P | G |
| M28X1,5 | 105 | 19,9 | 22 |

IVECO

Ref. ONYARBI
ONYARBI Ref. 80.13.01 **Derecho** ▶
Right

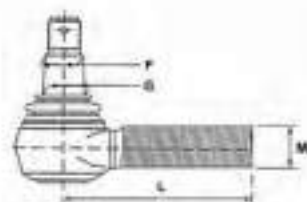


| Ref. OEM OEM Ref. | Vehículo Vehicle | | |
|----------------------|--|------|----|
| 2966252 | EUROCARGO, EUROSTAR, EUROTECH, EUROFIRE, EUROTRAKKER | | |
| 2969808 | | | |
| 42483386 | | | |
| 42488269 | | | |
| 42489573 | | | |
| 42489594 | | | |
| 42491638 | | | |
| 4802443 | | | |
| 4833829 | | | |
| 8122752 | | | |
| M | L | P | G |
| M30X1,5 | 125 | 27,1 | 30 |

Ref. ONYARBI
ONYARBI Ref. 80.13.02 **Izquierdo** ◀
Left



| Ref. OEM OEM Ref. | Vehículo Vehicle | | |
|----------------------|--|------|----|
| 0311300 | EUROCARGO, EUROSTAR, EUROTECH, EUROFIRE, EUROTRAKKER | | |
| 0607998 | | | |
| 1315447 | | | |
| 1319838 | | | |
| 1338714 | | | |
| | | | |
| M | L | P | G |
| M30X1,5 | 125 | 27,1 | 30 |



Ref. ONYARBI
ONYARBI Ref. 80.13.03

Derecho
Right



| Ref. OEM OEM Ref. | Vehículo Vehicle | | |
|----------------------|---------------------|------|----|
| 2980323 | EUROCARGO | | |
| 42483520 | | | |
| 42493781 | | | |
| | | | |
| M | L | P | G |
| M30X1,5 | 115 | 23,5 | 26 |

Ref. ONYARBI
ONYARBI Ref. 80.13.04

Izquierdo
Left



| Ref. OEM OEM Ref. | Vehículo Vehicle | | |
|----------------------|---------------------|------|----|
| 2980129 | EUROCARGO | | |
| 2984511 | | | |
| 42493782 | | | |
| 4833821 | | | |
| 4833828 | | | |
| M | L | P | G |
| M30X1,5 | 115 | 23,5 | 26 |

Ref. ONYARBI
ONYARBI Ref. 80.13.05

Derecho
Right



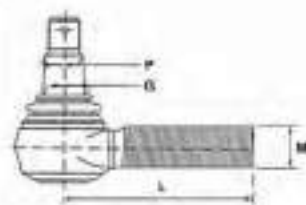
| Ref. OEM OEM Ref. | Vehículo Vehicle | | |
|----------------------|---------------------|------|----|
| 2966321 | ZETA, TURBOZETA | | |
| 2966635 | | | |
| 42484886 | | | |
| 4833825 | | | |
| 8193645 | | | |
| 8558533 | | | |
| 8582322 | | | |
| M | L | P | G |
| M28X1,5 | 105 | 19,9 | 22 |

Ref. ONYARBI
ONYARBI Ref. 80.13.06

Izquierdo
Left



| Ref. OEM OEM Ref. | Vehículo Vehicle | | |
|----------------------|---------------------|------|----|
| 2969507 | ZETA, TURBOZETA | | |
| 42484887 | | | |
| 4833826 | | | |
| 8123394 | | | |
| 8193646 | | | |
| 8558536 | | | |
| | | | |
| M | L | P | G |
| M28X1,5 | 105 | 19,9 | 22 |



Ref. ONYARBI
ONYARBI Ref. 80.13.13

Derecho
Right



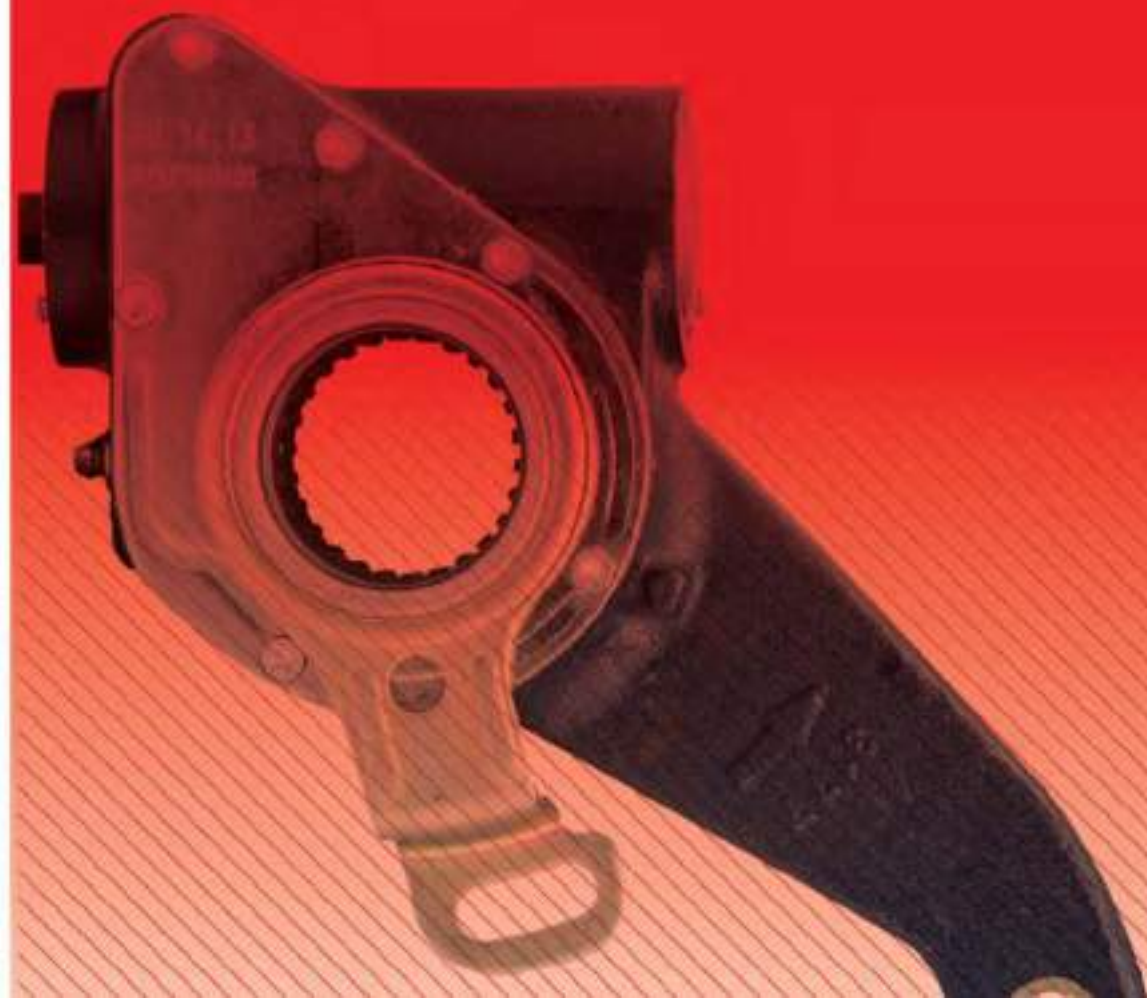
| Ref. OEM | Vehículo | | |
|----------|----------|------|----|
| OEM Ref. | Vehicule | | |
| 42480024 | 75, 9A | | |
| 42491937 | | | |
| | | | |
| | | | |
| | | | |
| | | | |
| M | L | P | G |
| M24X1.5 | 95 | 18,1 | 20 |

Ref. ONYARBI
ONYARBI Ref. 80.13.14

Izquierdo
Left



| Ref. OEM | Vehículo | | |
|----------|----------|------|----|
| OEM Ref. | Vehicule | | |
| 42480023 | 75, 9A | | |
| 8193649 | | | |
| | | | |
| | | | |
| | | | |
| | | | |
| M | L | P | G |
| M24X1.5 | 95 | 18,1 | 20 |





| Ref. Onyarbi Onyarbi Ref. | Lado Side | Ref. Haldex Haldex Ref. | Ref. OEM OEM Ref. |
|------------------------------|--------------|----------------------------|----------------------|
| 11.11.12 | Dcha./Right | 79016 | 5000789895 |
| 11.11.13 | Izda./Left | 79015 | 5000789894 |

Vehículo **Vehicle**

C290, G210, G230, G260, G290, G310, G340, G340TL,
E310, R330, R360, R370, R390



| Ref. Onyarbi Onyarbi Ref. | Lado Side | Ref. Haldex Haldex Ref. | Ref. OEM OEM Ref. |
|------------------------------|--------------|----------------------------|----------------------|
| 80.14.02 | Dcha./Right | 79305 | 5010260028 |
| 80.14.01 | Izda./Left | 79304 | 5010260027 |

Vehículo **Vehicle**

MAGNUM, PREMIUM, AE



| Ref. Onyarbi Onyarbi Ref. | Lado Side | Ref. Haldex Haldex Ref. | Ref. OEM OEM Ref. |
|------------------------------|--------------|----------------------------|----------------------|
| 80.14.03 | Dcha./Right | 79013 | 5010056685 |
| 80.14.04 | Izda./Left | 79014 | 5010056686 |

Vehículo **Vehicle**

G170, G210, G230, G260, G290, G310, G340TL, G385TL,
E310, R330, R360, R370, R390



| Ref. Onyarbi Onyarbi Ref. | Lado Side | Ref. Haldex Haldex Ref. | Ref. OEM OEM Ref. |
|------------------------------|--------------|----------------------------|----------------------|
| 80.14.05 | Dcha./Right | 79295 | 5010098861 |
| 80.14.06 | Izda./Left | 79294 | 5010098860 |

Vehículo **Vehicle**

MAXTER



| Ref. Onyarbi Onyarbi Ref. | Lado Side | Ref. Haldex Haldex Ref. | Ref. OEM OEM Ref. |
|------------------------------|--------------|----------------------------|----------------------|
| 80.14.12 | Dcha./Right | 79209 | 81506106166 |
| 80.14.11 | Izda./Left | 79208 | 81506106165 |

Vehículo **Vehicle**

F90 - F2000 - TGA



| Ref. Onyarbi Onyarbi Ref. | Lado Side | Ref. Haldex Haldex Ref. | Ref. OEM OEM Ref. |
|------------------------------|---------------------------|----------------------------|----------------------|
| 80.14.13 | Dcha./Right Izda./Left | 79212 | 81506106081 |

Vehículo **Vehicle**

3 EJES RÍGIDOS



| Ref. Onyarbi Onyarbi Ref. | Lado Side | Ref. Haldex Haldex Ref. | Ref. OEM OEM Ref. |
|------------------------------|--------------|----------------------------|----------------------|
| 80.14.15 | Dcha./Right | 79206 | 81506106139 |
| 80.14.14 | Izda./Left | 79205 | 81506106140 |

Vehículo **Vehicle**

F2000



| Ref. Onyarbi Onyarbi Ref. | Lado Side | Ref. Haldex Haldex Ref. | Ref. OEM OEM Ref. |
|------------------------------|--------------|----------------------------|----------------------|
| 80.14.50 | Izda./Left | 80178 | 81506106259 |
| 80.14.51 | Dcha./Right | 80179 | 81506106260 |

Vehículo **Vehicle**

MAN



| Ref. Onyarbi Onyarbi Ref. | Lado Side | Ref. Haldex Haldex Ref. | Ref. OEM OEM Ref. |
|------------------------------|--------------|----------------------------|----------------------|
| 80.14.52 | Dcha./Right | 79209 | 81506106210 |
| 80.14.53 | Izda./Left | 79208 | 81506106211 |

Vehículo **Vehicle**

MAN



| Ref. Onyarbi Onyarbi Ref. | Lado Side | Ref. Haldex Haldex Ref. | Ref. OEM OEM Ref. |
|------------------------------|---------------------------|----------------------------|----------------------|
| 80.14.54 | Dcha./Right Izda./Left | 79212 | 81506106231 |

Vehículo **Vehicle**

MAN



| Ref. Onyarbi Onyarbi Ref. | Lado Side | Ref. Haldex Haldex Ref. | Ref. OEM OEM Ref. |
|------------------------------|--------------|----------------------------|----------------------|
| 80.14.55 | Dcha./Right | 79220 | 81506106203 |

Vehículo **Vehicle**

MAN



| Ref. Onyarbi Onyarbi Ref. | Lado Side | Ref. Haldex Haldex Ref. | Ref. OEM OEM Ref. |
|------------------------------|--------------|----------------------------|----------------------|
| 80.14.56 | Izda./Left | 79205 | 81506106214 |

Vehículo **Vehicle**

MAN



| Ref. Onyarbi Onyarbi Ref. | Lado Side | Ref. Haldex Haldex Ref. | Ref. OEM OEM Ref. |
|------------------------------|--------------|----------------------------|----------------------|
| 80.14.57 | Dcha./Right | 79211 | 81506106212 |

Vehículo **Vehicle**

MAN



| Ref. Onyarbi Onyarbi Ref. | Lado Side | Ref. Haldex Haldex Ref. | Ref. OEM OEM Ref. |
|------------------------------|--------------|----------------------------|----------------------|
| 80.14.20 | Dcha./Right | 72661 | 1112834 |
| 80.14.19 | Izda./Left | 72660 | 1112833 |

Vehículo Vehicle
Series 3 y 4, G112, P112, R112, R142, G82,
P82, T93, T113, T143



| Ref. Onyarbi Onyarbi Ref. | Lado Side | Ref. Haldex Haldex Ref. | Ref. OEM OEM Ref. |
|------------------------------|--------------|----------------------------|----------------------|
| 80.14.21 | Dcha./Right | 79442 | 1358634 |
| 80.14.22 | Izda./Left | 79441 | 1358635 |

Vehículo Vehicle
SERIES 4



| Ref. Onyarbi Onyarbi Ref. | Lado Side | Ref. Haldex Haldex Ref. | Ref. OEM OEM Ref. |
|------------------------------|--------------|----------------------------|----------------------|
| 80.14.45 | Dcha./Right | 72664 | 1112830 |
| 80.14.46 | Izda./Left | 72663 | 1112829 |

Vehículo Vehicle
SCANIA



| Ref. Onyarbi Onyarbi Ref. | Lado Side | Ref. Haldex Haldex Ref. | Ref. OEM OEM Ref. |
|------------------------------|--------------|----------------------------|----------------------|
| 80.14.47 | Izda./Left | 72662 | 1789560 |
| | Dcha./Right | | |

Vehículo Vehicle
SCANIA



| Ref. Onyarbi Onyarbi Ref. | Lado Side | Ref. Haldex Haldex Ref. | Ref. OEM OEM Ref. |
|------------------------------|---------------------------|----------------------------|----------------------|
| 80.14.58 | Dcha./Right Izda./Left | 72059 | 3574200538 |

Vehículo **Vehicle**
MB



| Ref. Onyarbi Onyarbi Ref. | Lado Side | Ref. Haldex Haldex Ref. | Ref. OEM OEM Ref. |
|------------------------------|--------------|----------------------------|----------------------|
| 80.14.59 | Dcha./Right | 72810 | 3574201438 |
| 80.14.60 | Izda./Left | 72809 | 3574201338 |

Vehículo **Vehicle**
MB



| Ref. Onyarbi Onyarbi Ref. | Lado Side | Ref. Haldex Haldex Ref. | Ref. OEM OEM Ref. |
|------------------------------|--------------|----------------------------|----------------------|
| 80.14.61 | Izda./Left | 80010 | 9454200838 |

Vehículo **Vehicle**
MB



| Ref. Onyarbi Onyarbi Ref. | Lado Side | Ref. Haldex Haldex Ref. | Ref. OEM OEM Ref. |
|------------------------------|--------------|----------------------------|----------------------|
| 80.14.62 | Dcha./Right | 70753 | 3894200338 |

Vehículo **Vehicle**
MB



| Ref. Onyarbi Onyarbi Ref. | Lado Side | Ref. Haldex Haldex Ref. | Ref. OEM OEM Ref. |
|------------------------------|--------------|----------------------------|----------------------|
| 80.14.63 | Dcha./Right | 72212 | 3574201238 |

Vehículo **Vehicle**
MB



| Ref. Onyarbi Onyarbi Ref. | Lado Side | Ref. Haldex Haldex Ref. | Ref. OEM OEM Ref. |
|------------------------------|--------------|----------------------------|----------------------|
| 80.14.27 | Dcha./Right | 80009 | 9454200138 |
| 80.14.29 | Izda./Left | 80008 | 9454200038 |

Vehículo **Vehicle**
ACTROS FRONT



| Ref. Onyarbi Onyarbi Ref. | Lado Side | Ref. Haldex Haldex Ref. | Ref. OEM OEM Ref. |
|------------------------------|--------------|----------------------------|----------------------|
| 80.14.28 | Dcha./Right | 80014 | 9454200438 |
| 80.14.30 | Izda./Left | 80001 | 9454200338 |

Vehículo **Vehicle**
ACTROS REAR



| Ref. Onyarbi Onyarbi Ref. | Lado Side | Ref. Haldex Haldex Ref. | Ref. OEM OEM Ref. |
|------------------------------|--------------|----------------------------|----------------------|
| 80.14.31 | Izda./Left | 80000 | 9454200238 |
| 80.14.32 | Izda./Left | 80030 | 9454200938 |

Vehículo **Vehicle**
ACTROS REAR



| Ref. Onyarbi Onyarbi Ref. | Lado Side | Ref. Haldex Haldex Ref. | Ref. OEM OEM Ref. |
|------------------------------|--------------|----------------------------|----------------------|
| 80.14.23 | Dcha./Right | 72523 | 159556 |
| 80.14.24 | Izda./Left | 72524 | 159557 |

Vehículo **Vehicle**

55, 75, 85, 95, FA2100, FA2500, FA2800, FA3300,
FA3600, FTS2800, FTS3300, FTS3600



| Ref. Onyarbi Onyarbi Ref. | Lado Side | Ref. Haldex Haldex Ref. | Ref. OEM OEM Ref. |
|------------------------------|--------------|----------------------------|----------------------|
| 80.14.26 | Dcha./Right | 72530 | 361543 |
| 80.14.25 | Izda./Left | 72538 | 361544 |

Vehículo **Vehicle**

85, 95



| Ref. Onyarbi Onyarbi Ref. | Lado Side | Ref. Haldex Haldex Ref. | Ref. OEM OEM Ref. |
|------------------------------|--------------|----------------------------|----------------------|
| 80.14.48 | Izda./Left | 0755616 | 72704 |
| 80.14.49 | Dcha./Right | 0755617 | 72705 |

Vehículo **Vehicle**

MB



| Ref. Onyarbi Onyarbi Ref. | Lado Side | Ref. Haldex Haldex Ref. | Ref. OEM OEM Ref. |
|------------------------------|---------------------------|----------------------------|----------------------|
| 80.14.33 | Dcha./Right Izda./Left | 80023 | M002416 |

Vehículo *Vehicle*

SMB



| Ref. Onyarbi Onyarbi Ref. | Lado Side | Ref. Haldex Haldex Ref. | Ref. OEM OEM Ref. |
|------------------------------|---------------------------|----------------------------|----------------------|
| 80.14.34 | Dcha./Right Izda./Left | 80024 | T0017649Z |

Vehículo *Vehicle*

TRAILOR



| Ref. Onyarbi Onyarbi Ref. | Lado Side | Ref. Haldex Haldex Ref. | Ref. OEM OEM Ref. |
|------------------------------|---------------------------|----------------------------|----------------------|
| 80.14.35 | Dcha./Right Izda./Left | 80022 | 4175024900 |

Vehículo *Vehicle*

SAF



| Ref. Onyarbi Onyarbi Ref. | Lado Side | Ref. Haldex Haldex Ref. | Ref. OEM OEM Ref. |
|------------------------------|--------------|----------------------------|----------------------|
| 80.14.64 | Dcha./Right | 72239 | 4175014000 |

Vehículo *Vehicle*

SAF



| Ref. Onyarbi Onyarbi Ref. | Lado Side | Ref. Haldex Haldex Ref. | Ref. OEM OEM Ref. |
|------------------------------|---------------------------|----------------------------|----------------------|
| 80.14.37 | Dcha./Right Izda./Left | 80020 | 21229249 |

Vehículo *Vehicle*:

MERITOR



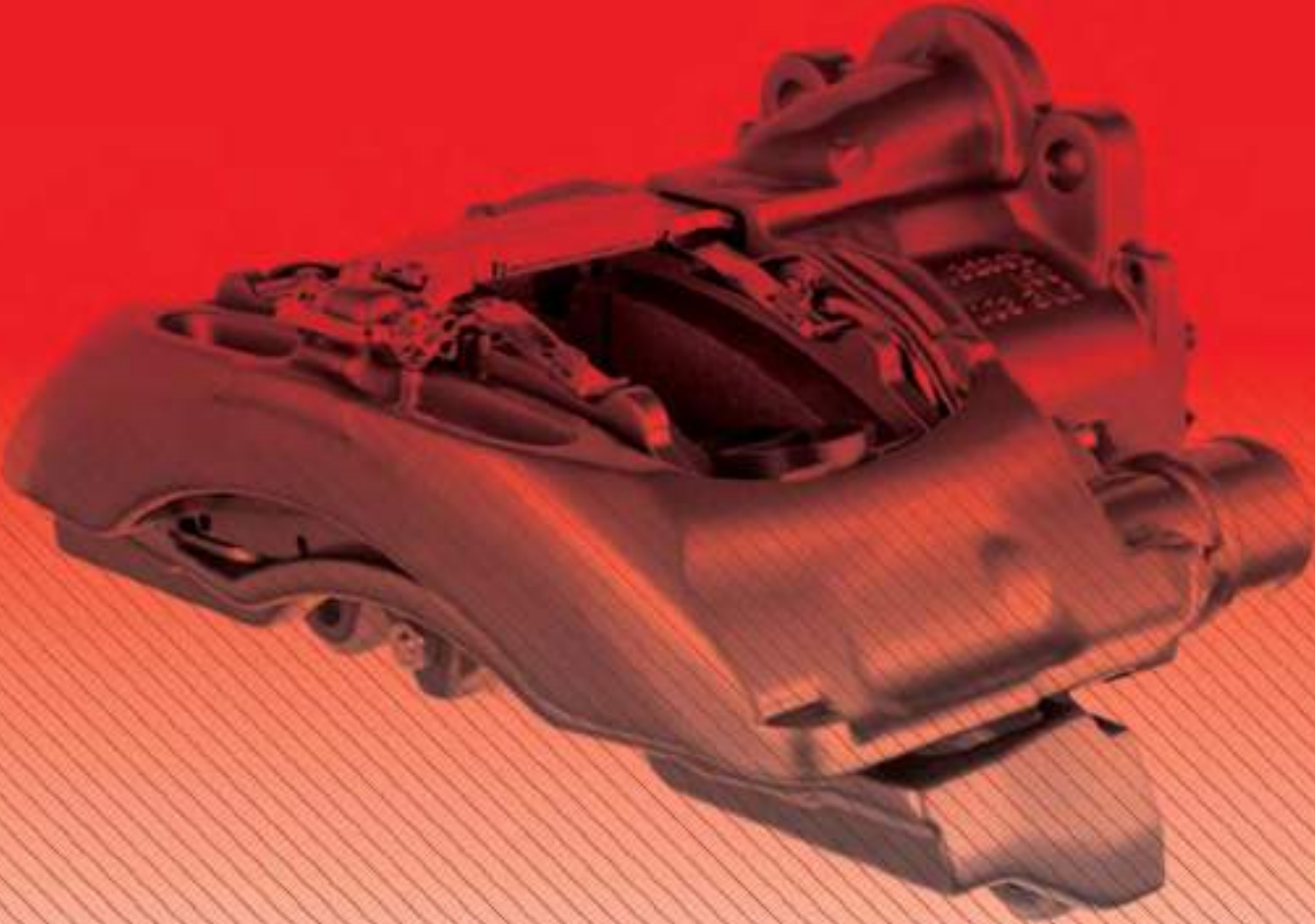
| Ref. Onyarbi Onyarbi Ref. | Lado Side | Ref. Haldex Haldex Ref. | Ref. OEM OEM Ref. |
|------------------------------|---------------------------|----------------------------|----------------------|
| 80.14.36 | Dcha./Right Izda./Left | 80019 | 0517482212 |

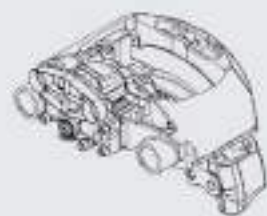
Vehículo *Vehicle*:

BPW

Elementos y kits de reparación de Semi-remolque y Cabeza Tractora

Spares and repair kits for the Semi-trailer and Trucks





CALIPERS RACIONALIZADOS

Rationalised Calipers



TIPO TYPE: SB6/SB7 - SN6/SN7 - SK7



TIPO TYPE: SB7

| Ref. OEM OEM Ref.: | Montaje Fitting: | ø Disco Disc ø | Rueda Wheel | Marcas Brands: | Ref. ONYARBI ONYARBI Ref.: |
|-----------------------|---------------------|-------------------|----------------|-------------------|-------------------------------|
| K002797 | Axial | 434 mm. | 22,5" | MB / GIGANT | 52.02.18 |
| K002798 | Axial | 434 mm. | 22,5" | MB / GIGANT | 52.02.19 |
| K002964 | Radial | 434 mm. | 22,5" | BPW/MB/SMB/IVECO | 52.02.20 |
| K002965 | Radial | 434 mm. | 22,5" | BPW/MB/SMB/IVECO | 52.02.21 |

TIPO TYPE: SN6

| Ref. OEM OEM Ref.: | Montaje Fitting: | ø Disco Disc ø | Rueda Wheel | Marcas Brands: | Ref. ONYARBI ONYARBI Ref.: |
|-----------------------|---------------------|-------------------|----------------|-----------------------|-------------------------------|
| K003779 | Axial | 378 mm. | 19,5" | SAF/BPW/GIGANT/MB/SMB | 52.02.15 |
| K003780 | Axial | 378mm. | 19,5" | SAF/BPW/GIGANT/MB/SMB | 52.02.01 |

TIPO TYPE: SN7

| Ref. OEM OEM Ref.: | Montaje Fitting: | ø Disco Disc ø | Rueda Wheel | Marcas Brands: | Ref. ONYARBI ONYARBI Ref.: |
|-----------------------|---------------------|-------------------|----------------|----------------------|-------------------------------|
| K003799 | Axial | 434 mm. | 22,5" | BPW/IVECO/MAN/MB/SMB | 52.02.05 |
| K003800 | Axial | 434 mm. | 22,5" | BPW/IVECO/MAN/MB/SMB | 52.02.06 |
| K003803 | Axial | 434 mm. | 22,5" | SCANIA/MB | 52.02.09 |
| K003804 | Axial | 434 mm. | 22,5" | SCANIA/MB | 52.02.10 |
| K003805 | Axial | 434 mm. | 22,5" | DAF | 52.02.34 |
| K003806 | Axial | 434 mm. | 22,5" | DAF | 52.02.35 |
| K003807 | Axial | 434 mm. | 22,5" | DAF | 52.02.14 |
| K003808 | Axial | 434 mm. | 22,5" | DAF | 52.02.13 |
| K003809 | Axial | 434 mm. | 22,5" | SCANIA/MB/MERITOR | 52.02.12 |
| K003810 | Axial | 434 mm. | 22,5" | SCANIA/MB/MERITOR | 52.02.11 |
| K003811 | Axial | 434 mm. | 22,5" | MAN | 52.02.29 |
| K003812 | Axial | 434 mm. | 22,5" | MAN | 52.02.30 |
| K003813 | Axial | 434 mm. | 22,5" | SCANIA | 52.02.16 |
| K003814 | Axial | 434 mm. | 22,5" | SCANIA | 52.02.17 |
| K003816 | Axial | 434 mm. | 22,5" | MAN | 52.02.47 |

TIPO TYPE: SK6/7

| Ref. OEM OEM Ref.: | Montaje Fitting: | ø Disco Disc ø | Rueda Wheel | Marcas Brands: | Ref. ONYARBI ONYARBI Ref.: |
|-----------------------|---------------------|-------------------|----------------|-------------------|-------------------------------|
| K012634 | Axial | 434 mm. | 22,5" | SAF/BPW/MB | 52.02.08 |
| K012633 | Axial | 434 mm. | 22,5" | SAF/BPW/MB | 52.02.07 |

KITS DE REPARACIÓN DE CALIPERS

Calipers Repair Kits



| Ref. ONYARBI ONYARBI Ref.: | Tipo Type.: | Ref. OEM OEM Ref.: | Designación Designation | |
|-------------------------------|--------------------------|-----------------------|---|--|
| 51.02.06 | SB5 SB6 SB7 | K000132 | Kit de Guías y Sellado <i>Guide and Seal Kit</i> | |
| | | | Marca Brand | |
| | | | MAN / IVECO / MB | |
| 51.02.03 | SB5 SB6 SB7 SK7 | K010604 | Kit de Empujadores <i>Tappets Kits</i> | |
| | | | Marca Brand | |
| | | | MAN / MB / SAF / BPW IVECO / SCANIA | |
| | | | | |
| | | | | |
| 51.02.14 | SB5 SB6 SB7 | K000698 | Kit de Reparación del Tornillo de Caliper <i>Kit Repair Bolt Caliper</i> | |
| | | | Marca Brand | |
| | | | BPW / SAF | |
| 51.02.02 | SN6 SN7 SK7 | K000472 (K001915) | Kit de Guías y Sellado <i>Guide and Seal Kit</i> | |
| | | | Marca Brand | |
| | | | SAF / BPW / SCHMITZ | |
| 51.02.04 | SN6 SN7 SK7 | K010603 | Kit de Empujadores <i>Tappets Kits</i> | |
| | | | Marca Brand | |
| | | | MAN / MB / DAF / BPW SAF / IVECO | |
| | | | | |
| | | | | |
| 51.02.01 | SB6/SB7 SN6 SN7 | K000375 | Kit de Guías y Sellado <i>Guide and Seal Kit</i> | |
| | | | Marca Brand | |
| | | | MAN / MB / BPW / SAF | |

KITS DE REPARACIÓN DE CALIPERS

Calipers Repair Kits



| Ref. ONYARBI ONYARBI Ref.: | Tipo Type.: | Ref. OEM OEM Ref.: | Designación Designation | |
|-------------------------------|-----------------------|-----------------------|---|--|
| 51.02.05 | SB5 SB6 SB7 | K001532 | Kit de Reparación del Tornillo de Caliper <i>Kit Repair Bolt Caliper</i> | |
| | | | Marca Brand | |
| | | | IVECO / MB / BPW / SMB / SAF | |
| 51.02.15 | SB6 SB7 | 11368470064 | Kit de Reparación del Tornillo de Caliper <i>Kit Repair Bolt Caliper</i> | |
| | | | Marca Brand | |
| | | | DAF / SAF | |
| 51.02.13 | SN6/SN7 SK6 SK7 | K004100 | Kit de Guías y Sellado <i>Guide and Seal Kit</i> | |
| | | | Marca Brand | |
| | | | SAF / MB | |

KITS DE REPARACIÓN DE CALIPERS

Calipers Repair Kits



TIPO TYPE: D-DUCO

| Ref. ONYARBI ONYARBI Ref. | Ref. OEM OEM Ref.: | Caliper Caliper: | Designación Designation | |
|------------------------------|-----------------------|--------------------------|--|---|
| 51.02.26 | MCK 1139 | LRG536/537 LRG578/579 | Kit de Empujadores Tappet Seal Kit |  |
| | | | Marca Brand VOLVO / DAF / MAN / RVI ROR / FRUEHAUF | |
| 51.02.10 | MCK 1238 | LRG536/537 LRG578/579 | Kit de Empujadores y Bota Caliper Tappet and Bolt Kit |  |
| | | | Marca Brand VOLVO / DAF / MAN / RVI ROR / FRUEHAUF | |
| 51.02.11 | MCK 1134 | LRG536/537 | Kit de Guías Guide Repair Kit |  |
| | | | Marca Brand VOLVO / DAF / MAN / RVI / ROR | |
| 51.02.12 | MCK 1116 | LRG578/579 | Kit de Guías Guide Repair Kit |  |
| | | | Marca Brand DAF / MAN / RVI / ROR | |
| 51.02.28 | MCK 1253 | LRG536/537 LRG578/579 | Kit de Guías y Juntas Guide and Seal Repair Kit |  |
| | | | Marca Brand DAF / MAN / RVI ROR / FRUEHAUF | |

TIPO TYPE: ELSA2

| | | | | |
|----------|----------|------------|--|---|
| 51.02.26 | MCK 1139 | LRG572/573 | Kit de Empujadores Tappet Seal Kit |  |
| | | | Marca Brand DAF / MAN / RVI ROR / FRUEHAUF | |

KITS DE REPARACIÓN DE CALIPERS

Calipers Repair Kits



| Ref. ONYARBI ONYARBI Ref. | Ref. OEM OEM Ref. | Caliper Caliper | Designación Designation | |
|------------------------------|----------------------|--------------------|---|--|
| 51.02.25 | MCK 1309 | LRG572/573 | Kit de Empujadores y Bota <i>Caliper Tappet and Bolt Kit</i> | |
| | | | Marca Brand DAF / MAN / RVI ROR / FRUEHAUF | |
| 51.02.09 | MCK 1243 | LRG572/573 | Kit de Guías <i>Guide Repair Kit</i> | |
| | | | Marca Brand DAF / MAN / RVI ROR / FRUEHAUF | |

TIPO TYPE: ELSA195



| | | | | |
|--|----------------------|------------|---|--|
| 51.02.26 | MCK 1139 | LRG702/703 | Kit de Empujadores <i>Tappet Seal Kit</i> | |
| | | | Marca Brand DAF / FRUEHAUF / RVI MAN / ROR | |
| 51.02.25 | MCK 1309 | LRG702/703 | Kit de Empujadores y Bota <i>Caliper Tappet and Bolt Kit</i> | |
| | | | Marca Brand DAF / FRUEHAUF / RVI MAN / ROR | |
| 51.02.11 (<6/2001) 51.02.12 (>6/2001) | MCK 1134 MCK 1116 | LRG702/703 | Kit de Guías <i>Guide Repair Kit</i> | |
| | | | Marca Brand DAF / FRUEHAUF / RVI MAN / ROR | |
| 51.02.28 | MCK 1253 | LRG702/703 | Kit de Guías y Juntas <i>Guide and Seal Repair Kit</i> | |
| | | | Marca Brand DAF / RVI MAN / ROR | |

KITS DE REPARACIÓN DE CALIPERS

Calipers Repair Kits



TIPO TYPE: ELSA225



| Ref. ONYARBI ONYARBI Ref. | Ref. OEM OEM Ref.: | Caliper Caliper | Designación Designation | |
|------------------------------|-----------------------|--------------------|---|---|
| 51.02.26 | MCK 1139 | LRG764/765 | Kit de Empujadores <i>Tappet Seal Kit</i> |  |
| | | | Marca Brand PACCAR / ROR / KÖGEL | |
| 51.02.25 | MCK 1309 | LRG764/765 | Kit de Empujadores y Bota <i>Caliper Tappet and Bolt Kit</i> |  |
| | | | Marca Brand PACCAR / ROR / KÖGEL | |
| 51.02.27 | MCK 1254 | LRG764/765 | Kit de Guías <i>Guide Repair Kit</i> |  |
| | | | Marca Brand PACCAR / ROR / KÖGEL | |
| 51.02.28 | MCK 1253 | LRG764/765 | Kit de Guías y Juntas <i>Guide and Seal Repair Kit</i> |  |
| | | | Marca Brand PACCAR / ROR / KÖGEL | |

TIPO TYPE: DX195



| | | | | |
|----------|----------|--------------------------|---|---|
| 51.02.07 | MCK 1171 | 15224836SR 15224837SR | Kit de Guías <i>Guide Repair Kit</i> |  |
| | | | Marca Brand DAF / FRUEHAUF / PACCAR RVI / MAN / ROR | |
| 51.02.08 | MCK 1192 | 15224836SR 15224837SR | Kit de Empujadores y Bota <i>Caliper Tappet and Bolt Kit</i> |  |
| | | | Marca Brand DAF / FRUEHAUF / PACCAR RVI / MAN / ROR | |

KITS DE REPARACIÓN DE CALIPERS

Calipers Repair Kits

17,5" - 19,5" - 22,5"

WABCO

| Ref. ONYARBI ONYARBI Ref.: | Ref. OEM OEM Ref.: | Designación Designation |
|-------------------------------|-------------------------------|---|
| 51.02.22 | 6401759202 (17,5" - 22,5") | Kit de Guías <i>Guide Repair Kit</i> |
| | | Marca Brand |
| | | SAF (3.434.3829.V0) (SKRS/RZ/RB) |
| 51.02.23 | 12999738VT (19,5" - 22,5") | Kit de Guías y Juntas <i>Guides and Seals Kit</i> |
| | | Marca Brand |
| | | SAF (3.434.3827.02) (SKRS/RZ/RB) |
| 51.02.54 | 12999580 (17,5") | Kit de Guías y Juntas <i>Guides and Seals Kit</i> |
| | | Marca Brand |
| | | MAN (81.50822.6003), DAF (1517407) |
| 51.02.55 | 12999699 (17,5") | Kit de Guías y Juntas <i>Guides and Seals Kit</i> |
| | | Marca Brand |
| | | MAN (81.50822.6001), DAF (1436853), IVECO (42536957) |
| 51.02.56 | 12999776 (19,5") | Kit de Guías y Juntas <i>Guides and Seals Kit</i> |
| | | Marca Brand |
| | | DAF (1628065), RVI (5001.866.623), SAF (3.434.3828.00) |



SBS2220 MODEL T

HalDEX

| Ref. ONYARBI ONYARBI Ref.: | Ref. OEM OEM Ref.: | Designación Designation |
|-------------------------------|-----------------------|--|
| 51.02.24 | 95397 | Kit de Guías y Juntas <i>Guides and Seals Kit</i> |
| | | Marca Brand |
| | | SAF (3.434.3861.V0) |



OTROS TIPOS DE CALIPERS

Other Type Calipers



BPW ECODISCO - TSB3709/4309/4312

| Ref. ONYARBI ONYARBI Ref.: | Ref. OEM OEM Ref.: | Designación Designation | |
|-------------------------------|-----------------------|---|--|
| 51.02.19 | 0980107610 | Kit de Guías y Juntas <i>Guides and Seals Kit</i> | |
| | | Marca Brand | |
| | | BPW | |
| 51.02.20 | 0980107620 | Kit de Juntas <i>Repair Kit Seal for Guide Pins</i> | |
| | | Marca Brand | |
| | | BPW | |
| 51.02.21 | 0980107630 | Kit de Reparación de Piezas de Empuje <i>Repair Kit Tappet</i> | |
| | | Marca Brand | |
| | | BPW | |
| 51.02.57 | 0980107631 | Kit de Reparación de Piezas de Empuje <i>Repair Kit Tappet</i> | |
| | | Marca Brand | |
| | | BPW | |

> **TOPES TRASEROS**
Rollers Buffers

Ref. ONYARBI
ONYARBI Ref.: 90.16.01



| Designación Designation | Dimensiones Dimensions |
|---|------------------------------------|
| Topo Horizontal Cuádruple <i>Quad Horizontal</i> | 395x116x118 8xø13x120x57x120x52 |

Ref. ONYARBI
ONYARBI Ref.: 90.16.02



| Designación Designation | Dimensiones Dimensions |
|---|------------------------------|
| Topo Doble Horizontal <i>Twin Horizontal</i> | 216x116x118 4xø13x120x152 |

Ref. ONYARBI
ONYARBI Ref.: 90.16.03



| Designación Designation | Dimensiones Dimensions |
|----------------------------|---------------------------|
| Casquillo <i>Roller</i> | ø100xø26x80 |

Ref. ONYARBI
ONYARBI Ref.: 90.16.04



| Designación Designation | Dimensiones Dimensions |
|--|-------------------------------|
| Top Vertical Doble <i>Twin Vertical</i> | 121x234x120 6xø13x45x95x95 |

Ref. ONYARBI
ONYARBI Ref.: 90.16.05



| Designación Designation | Dimensiones Dimensions |
|---|-----------------------------------|
| Top Vertical Triple <i>Triple Vertical</i> | 121x234x120 8xø13x45x95x110x95 |

VÁLVULAS VALVES

| Ref. Onyarbi | Ref. Wabco | Ref. Knorr | Descripción Description | Aplicación Application |
|--------------|------------|------------|---|-------------------------------|
| 65.02.03 | | AE4525 | VÁLVULA DE PROTECCIÓN MULTI CIRCUITO / CIRCUIT PROTECTION VALVE 4 WAY | RVI |
| 65.02.05 | | AE4528 | VÁLVULA DE PROTECCIÓN MULTI CIRCUITO / CIRCUIT PROTECTION VALVE 4 WAY | RVI, SCANIA |
| 65.02.06 | | AE4613 | VÁLVULA DE PROTECCIÓN MULTI CIRCUITO / CIRCUIT PROTECTION VALVE 4 WAY | IVECO, MAN |
| 65.02.07 | | AE4604 | VÁLVULA DE PROTECCIÓN MULTI CIRCUITO / CIRCUIT PROTECTION VALVES 4WAY | VOLVO |
| 65.02.08 | | MB4694 | VÁLVULA DE FRENO DE PIE / FOOT BRAKE VALVE | DAF |
| 65.02.09 | 9710021507 | | VÁLVULA RELE DE URGENCIA / BRAKE CRANE OF THE TRAILER | |
| 65.02.10 | 4630320207 | | VÁLVULA DE REGULACION DE ALTURA / RAISE LOWER VALVE (MANUAL) | MB, BPW, FRUEHAUF |
| 65.02.11 | 4721950180 | | VÁLVULA MODULADOR ABS SOLENOIDE / SOLENOID ABS | IVECO, SCANIA |
| 65.02.12 | 9710029000 | | VÁLVULA RELE DE URGENCIA / RELAY EMERGENCY VALVE | |
| 65.02.13 | 4721950317 | | VÁLVULA REGULACION ABS / ABS VALVE | |
| 65.02.14 | 9630010517 | | VÁLVULA DE AFLOJAMIENTO / RELEASE VALVE | SCANIA, VOLVO, SCHMITZ |
| 65.02.15 | 9730010107 | | VÁLVULA RELE 4 BOCAS / QUICK RELEASE VALVE | RVI, VOLVO, MB, DAF |
| 65.02.16 | 9730025357 | | VÁLVULA DE CONTROL REMOLQUE / TRAILER BRAKE CONTROL VALVE | SCANIA, MAN, IVECO, MB |
| 65.02.17 | 9347050057 | | VÁLVULA DE PROTECCIÓN MULTI CIRCUITO / CIRCUIT PROTECTION VALVE 4 WAY | SCANIA, DAF, MB |
| 65.02.18 | 9730060030 | | VÁLVULA DE ESCAPE RAPIDO / QUICK RELEASE VALVE | DAF, MAN, MB, ATEGO |
| 65.02.19 | 9710021527 | | VÁLVULA RELE DE EMERGENCIA / BRAKE CRANE OF THE TRAILER | RVI, SCANIA, VOLVO, SAF, DAF |
| 65.02.20 | 4729000550 | | VÁLVULA ECAS ELECTROVÁLVULA / SOLENOID VALVE | MAN |
| 65.02.21 | 4721726260 | | VÁLVULA DE SOLENOIDE / SOLENOID VALVE | DAF, IVECO |
| 65.02.22 | 9347147400 | | VÁLVULA DE PROTECCIÓN MULTI CIRCUITO / CIRCUIT PROTECTION VALVE 4WAY | VOLVO |
| 65.02.23 | 4613151807 | | VÁLVULA DE FRENO DE PIE / FOOT BRAKE VALVE | SCANIA |
| 65.02.24 | 4613150080 | | VÁLVULA DE FRENO DE PIE / FOOT BRAKE VALVE | VOLVO, DAF, IVECO, SCANIA, MB |
| 65.02.25 | 9735000000 | | VÁLVULA DE ESCAPE RAPIDO / QUICK RELEASE VALVE | MB, BPW, IVECO |
| 65.02.26 | 4721950417 | | VÁLVULA REGULACION ABS / ABS VALVE | DAF, SCHMITZ |
| 65.02.27 | 4342050310 | | VÁLVULA DE VARIAS VIAS / MULTIWAY VALVE | VOLVO |
| 65.02.28 | 4802020040 | | VÁLVULA DE RELE PROPORCIONAL / PROPORTIONAL QUICK RELEASE VALVE ABS | IVECO, DAF, MB |
| 65.02.29 | 9730090017 | | VÁLVULA DE CONTROL REMOLQUE / BRAKE CONTROL VALVE TRAILER | MB, MAN |
| 65.02.30 | 9730090107 | | VÁLVULA DE CONTROL REMOLQUE / BRAKE CONTROL VALVE TRAILER | RVI, SCANIA |
| 65.02.33 | 4721950550 | | MODULADOR ABS / MODULATOR ABS | SCANIA |
| 65.02.36 | 4729000530 | | ELECTROVÁLVULA ECAS / SOLENOID VALVE ECAS | MB |
| 65.02.46 | | MB4849 | VÁLVULA DE FRENO DE PIE / FOOT BRAKE VALVE | VOLVO |
| 65.02.55 | 4750103000 | | VÁLVULA LIMITADORA DE PRESION / PRESSURE LIMITING VALVE - MAN,TGA | MAN |
| 65.02.56 | 9347144000 | | VÁLVULA CUADRUPLE DE PROTECCIÓN DE CIRCUITO / CIRCUIT PROTECTION VALVE 4WAY - MAN | MAN |
| 65.02.57 | 4721950160 | | VÁLVULA ABS SOLENOIDE MODULADOR / ABS SOLENOID MODULATOR VALVE - DAF,SCANIA,VOLVO | DAF, SCANIA, VOLVO |
| 65.02.58 | 4640061000 | | VÁLVULA NIVELADORA / LEVELLING VALVE - BPW,MERCEDES | BPW, MB |
| 65.02.59 | 4640023300 | | VÁLVULA NIVELADORA / LEVELLING VALVE - MERCEDES | MB |
| 65.02.60 | 4750150630 | | VÁLVULA LIMITADORA DE PRESION / PRESSURE LIMITING VALVE DAF,VOLVO | DAF, VOLVO |
| 65.02.61 | 9347142110 | | VÁLVULA CUADRUPLE DE PROTECCIÓN DE CIRCUITO / PRESSURE LIMITING VALVE - SCANIA | SCANIA |
| 65.02.62 | | AC157CA | VÁLVULA LIMITADORA DE PRESIÓN / PRESSURE LIMITING VALVE | |
| 65.02.63 | | I136011000 | VÁLVULA CUADRUPLE DE PROTECCIÓN DE CIRCUITO / FOUR CIRCUIT PROT. VALVE - VOLVO | VOLVO |

CÁMARAS DE AIRE BRAKE CHAMBER

| Ref. Onyarbi | Ref. Wabco | Ref. Knorr | Descripción Description |
|--------------|------------|------------|--------------------------------|
| 93.01.01 | 9253761000 | BX7542 | CÁMARA DE AIRE / BRAKE CHAMBER |
| 93.01.02 | 9253840100 | BS7309 | CÁMARA DE AIRE / BRAKE CHAMBER |
| 93.01.03 | 4231069000 | BX3534 | CÁMARA DE AIRE / BRAKE CHAMBER |
| 93.01.05 | 9254911437 | BX9521 | CÁMARA DE AIRE / BRAKE CHAMBER |
| 93.01.06 | 9254911417 | BX9519 | CÁMARA DE AIRE / BRAKE CHAMBER |
| 93.01.07 | 9254601010 | BS9404 | CÁMARA DE AIRE / BRAKE CHAMBER |
| 93.01.11 | 9254310330 | 2B0506X5 | CÁMARA DE AIRE / BRAKE CHAMBER |
| 93.01.12 | | BS8426 | CÁMARA DE AIRE / BRAKE CHAMBER |
| 93.01.13 | 9254800040 | BS9411 | CÁMARA DE AIRE / BRAKE CHAMBER |
| 93.01.14 | 9254810327 | | CÁMARA DE AIRE / BRAKE CHAMBER |
| 93.01.15 | | BS8427 | CÁMARA DE AIRE / BRAKE CHAMBER |
| 93.01.17 | | BX9520 | CÁMARA DE AIRE / BRAKE CHAMBER |
| 93.01.19 | 4235050000 | BS3404 | CÁMARA DE AIRE / BRAKE CHAMBER |
| 93.01.20 | 4231047100 | BS3300 | CÁMARA DE AIRE / BRAKE CHAMBER |
| 93.01.23 | 4231079000 | BX3605 | CÁMARA DE AIRE / BRAKE CHAMBER |
| 93.01.25 | 9254610300 | BS9502 | CÁMARA DE AIRE / BRAKE CHAMBER |
| 93.01.28 | 4231059000 | BX3417 | CÁMARA DE AIRE / BRAKE CHAMBER |
| 93.01.32 | 9253801010 | | CÁMARA DE AIRE / BRAKE CHAMBER |
| 93.01.37 | | BY9303 | CÁMARA DE AIRE / BRAKE CHAMBER |
| 93.01.40 | 9254921027 | | CÁMARA DE AIRE / BRAKE CHAMBER |
| 93.01.43 | | BS8402 | CÁMARA DE AIRE / BRAKE CHAMBER |
| 93.01.50 | | BS3515 | CÁMARA DE AIRE / BRAKE CHAMBER |
| 93.01.51 | | 1186702-01 | CÁMARA DE AIRE / BRAKE CHAMBER |
| 93.01.54 | 9254300360 | 2B0504X5 | CÁMARA DE AIRE / BRAKE CHAMBER |
| 93.01.59 | 9253713000 | | CÁMARA DE AIRE / BRAKE CHAMBER |



SECADORES AIR DRYER

| Ref. Onyarbi | Ref. Wabco | Ref. Knorr | Descripción Description |
|--------------|------------|------------|----------------------------|
| 91.01.01 | 4324101027 | LA6210 | SECADOR / AIR DRYER |
| 91.01.02 | 4324101117 | LA6222HAS | SECADOR / AIR DRYER |
| 91.01.03 | 4324100347 | LA8222 | SECADOR / AIR DRYER |
| 91.01.04 | 4324251010 | | SECADOR / AIR DRYER |
| 91.01.05 | 4324100870 | LA8286 | SECADOR / AIR DRYER |
| 91.01.06 | 9324000240 | | SECADOR / AIR DRYER |
| 91.01.07 | 4324100350 | LA8220 | SECADOR / AIR DRYER |
| 91.01.08 | | LA9034 | SECADOR / AIR DRYER |
| 91.01.09 | 4324101177 | LA8206 | SECADOR / AIR DRYER |
| 91.01.10 | 4324101910 | | SECADOR / AIR DRYER |
| 91.01.11 | | LA9035 | SECADOR / AIR DRYER |
| 91.01.12 | 4324101120 | | SECADOR / AIR DRYER |



*Las marcas, los croquis, símbolos y referencias del constructor original son indicados para facilitar la identificación de las piezas de nuestra fabricación.
*All manufacturer's names, numbers, symbols and descriptions are used for reference purposes only, and it is not implied that any part listed is the product of these manufacturers.

NOTAS

NOTES

A series of horizontal dotted lines for writing notes, covering the majority of the page area.

NOTAS
NOTES

A series of horizontal dotted lines for writing notes, starting from the top of the page and extending to the bottom. The lines are evenly spaced and cover the width of the page.

NOTAS

NOTES

A series of horizontal dotted lines for writing notes, covering the majority of the page below the header.





ONYARBI
industrias

Pol. Arretxe-Ugalde • Lekunberri n.º 3

20305 IRUN • Gipuzkoa • ESPAÑA

Tel: +34 943 616 382

Móvil: +34 651 702 355

Fax: +34 943 613 148

onyarbi@onyarbi.com

www.onyarbi.com